

## PRODUCT DATASHEET

### LED PANEL DOWNLIGHT FE-3W/85S/865L

Consumer Products Downlights | LED PANEL LIGHT SLIM



#### AREAS OF APPLICATION

- Offices, conference rooms, reception areas
- Corridors, stairways, entrance areas
- Retail, shops
- Direct replacement for luminaires with compact fluorescent lamps
- General illumination

---

#### PRODUCT BENEFITS

- Low energy consumption and energy saving
- Low installation depth
- Easy and quick installation
- Instant 100 % light, no warm-up time
- No dark and yellow spots on the diffuser
- Aluminum frame with better heating diffusion

---

#### PRODUCT FEATURES

- Recessed mounted luminaires
- Light guide made of PMMA for long lifetime
- Mercury-free lamps
- Lifetime: up to 25,000 h (at 25 °C)



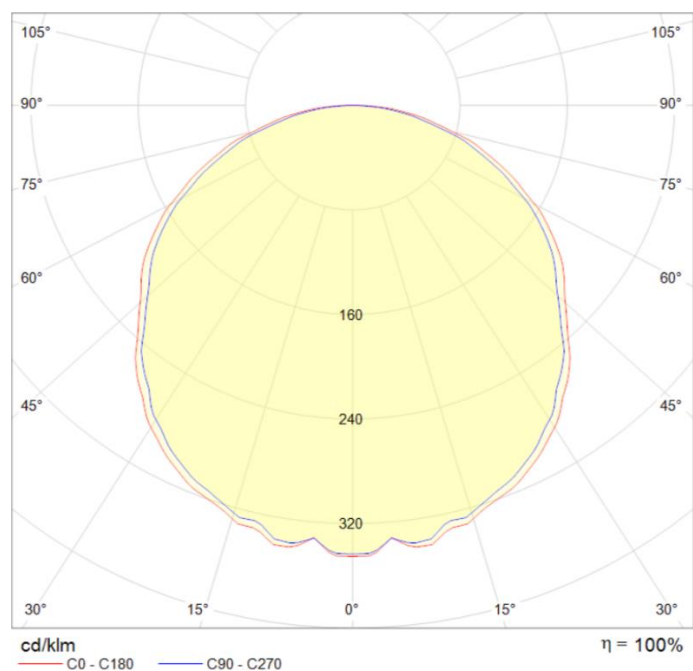
**TECHNICAL DATA**

**Electrical data**

<b>Rated wattage</b>	3.00 W
<b>Nominal wattage</b>	3.00 W
<b>Nominal voltage</b>	185-240VAC
<b>Operating frequency</b>	50...60 Hz
<b>Power factor <math>\lambda</math></b>	> 0.50
<b>Insulation Class</b>	Class II
<b>Protection class IK (shock resistance)</b>	IK03

**Photometrical data**

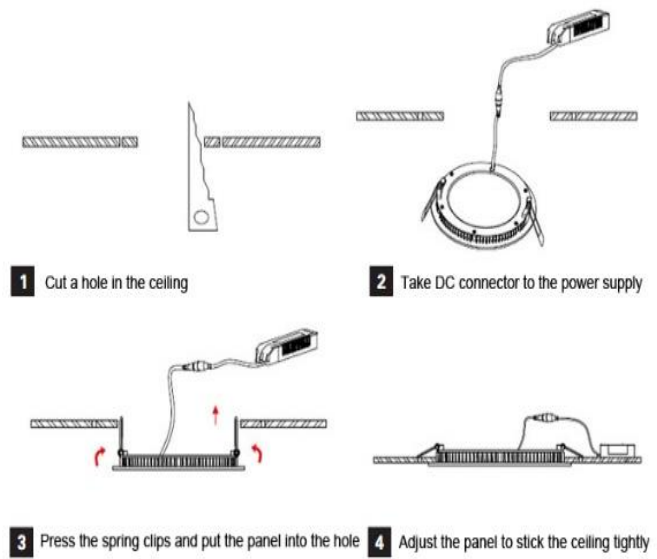
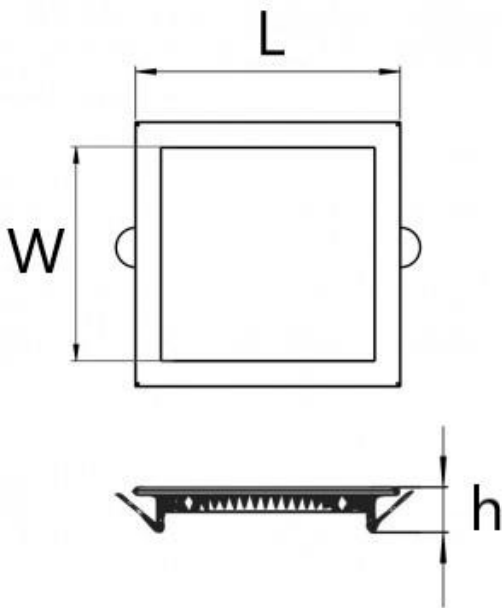
<b>Rated luminous flux</b>	210 lm
<b>Light color (designation)</b>	Cool White
<b>Color temperature</b>	6500 K
<b>Luminous flux</b>	210 lm
<b>Color rendering index Ra</b>	$\geq 80$
<b>Standard deviation of color matching</b>	$\leq 6$ sdc
<b>Nominal luminous flux</b>	210 lm
<b>Rated color temperature</b>	6500 K



**Light technical data**

<b>Starting time</b>	< 0.5 s
<b>Beam angle</b>	120 °

Dimensions & weight



<b>Length</b>	85.0 mm
<b>Width</b>	85.0 mm
<b>Height</b>	22.0 mm
<b>Weight</b>	101.0 g

Lifespan

<b>Nominal lamp life time</b>	25000 h
<b>Rated lamp life time</b>	25000 h
<b>Number of switching cycles</b>	20000
<b>Warranty</b>	2 years

Capabilities

<b>Dimmable</b>	No
<b>LED module replaceable</b>	Not replaceable

Temperatures & operating conditions

<b>Ambient temperature range</b>	-25...+40 °C
<b>Storage temperature</b>	-25...+55 °C

**Additional product data**

<b>Installation method</b>	Recessed
<b>Low flicker</b>	Yes
<b>Mercury-free</b>	Yes
<b>Design / version</b>	frosted
<b>Body material</b>	Aluminum
<b>Cover material</b>	Polymethylmethacrylate (PMMA)
<b>Light emitting surface material</b>	Polymethylmethacrylate (PMMA)
<b>Product remark</b>	All technical parameters apply to the entire lamp/Due to the complex production process for light-emitting diodes, the typical values shown for the technical LED parameters are purely statistical values that do not necessarily match the actual technical parameters of each individual product, which can vary from the typical value
<b>Mercury content</b>	0.0 mg
<b>Standards</b>	CE/CCC

**Order code/Name**

<b>Order code/Name</b>	FE3579 LED PANEL DOWNLIGHT FE-3W/85S/865L
------------------------	---

**LOGISTICAL DATA**

<b>Product code</b>	<b>Packaging unit (Pieces/Unit)</b>	<b>Dimensions (length x width x height)</b>	<b>Gross weight</b>	<b>Volume</b>
FE3479	Carton box 1	100 mm x 28 mm x 120 mm	107.00 g	0.33 dm <sup>3</sup>
FE3479	Shipping carton box 100	570 mm x 350 mm x 260 mm	10700.00 g	0.052 m <sup>3</sup>

The mentioned product code describes the smallest quantity unit which can be ordered. One shipping unit can contain one or more single products. When placing an order, for the quantity please enter single or multiples of a shipping

**REFERENCES / LINKS**

For further products and actual information concerning LED luminaires see [www.fucida.eu](http://www.fucida.eu)

For Guarantee see [www.fucida.eu](http://www.fucida.eu)

**DISCLAIMER**

Subject to change without notice. Errors and omission excepted.

