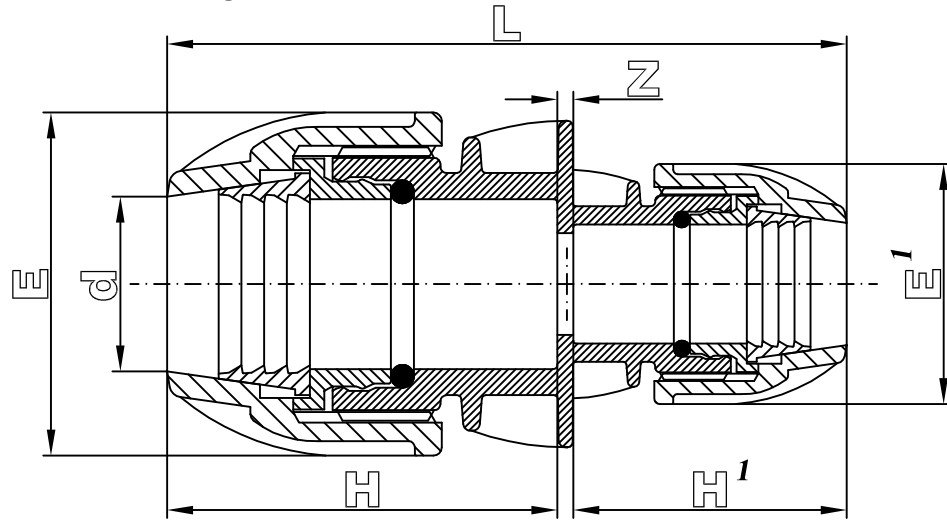


# MUFA RAPIDA REDUSA PE



The FILBO connecting joint is designed and manufactured in according to the international standard norms:

ISO 3458  
 ISO 3459  
 ISO 3501  
 ISO 3503  
 ISO 14236  
 DIN 8076-3  
 KIWA BRLK 534-01  
 UNI 9561  
 UNI 9562


The connecting parts of the body with the PE pipes are designed in according to the international standard norms:

ISO DIS 3607  
 DIN 8072  
 DIN 8074  
 UNI 7611  
 UNI 7990

Male and female threaded adaptors are designed in according to the international standard norms:

ISO 7  
 UNI ISO 7-1  
 BS 21

d	Z <sub>min.</sub>	H	H <sup>1</sup>		L		E		E <sup>1</sup>		g	
			Tolerance	Tolerance	Tolerance	Tolerance	Tolerance	Tolerance				
25x20	3	67	±3 mm	58	±3 mm	128	±6 mm	54	±0.3 mm	47	±0.3 mm	85
32x20	3	77	±3 mm	58	±3 mm	138	±6 mm	66	±0.3 mm	47	±0.3 mm	120
32x25	3	77	±3 mm	67	±3 mm	147	±6 mm	66	±0.3 mm	54	±0.3 mm	130
40x25	4	96	±5 mm	67	±3 mm	167	±8 mm	83	±0.5 mm	54	±0.3 mm	280
40x32	4	96	±5 mm	77	±3 mm	177	±8 mm	83	±0.5 mm	66	±0.3 mm	300
50x25	5	110	±5 mm	67	±3 mm	182	±8 mm	98	±0.5 mm	54	±0.3 mm	410
50x32	5	110	±5 mm	77	±3 mm	192	±8 mm	98	±0.5 mm	66	±0.3 mm	430
50x40	5	110	±5 mm	96	±5 mm	211	±10 mm	98	±0.5 mm	83	±0.5 mm	480
63x32	6	124	±5 mm	77	±5 mm	207	±8 mm	116	±0.5 mm	66	±0.3 mm	590
63x40	6	124	±5 mm	96	±5 mm	226	±10 mm	116	±0.5 mm	83	±0.5 mm	640
63x50	6	124	±5 mm	110	±5 mm	230	±10 mm	116	±0.5 mm	98	±0.5 mm	690
75x50												
75x63												
90x63												
90x75												
110x75												
110x90												

		DENOMINAZIONE Reducing Coupling Data Sheet.	
		FISA MUFA REDUSA	
Designer		Raw Material	
6, Tsar Ivan Shishman Str. Varna - Bulgaria		Drawing N°	
SCALA //	Date 05.06.2007	Injection Machine	
		DSH 0002	