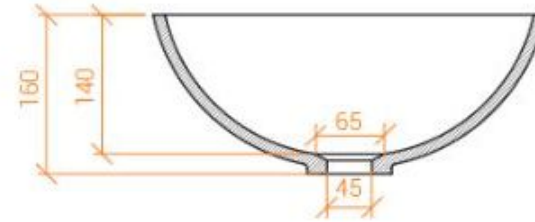
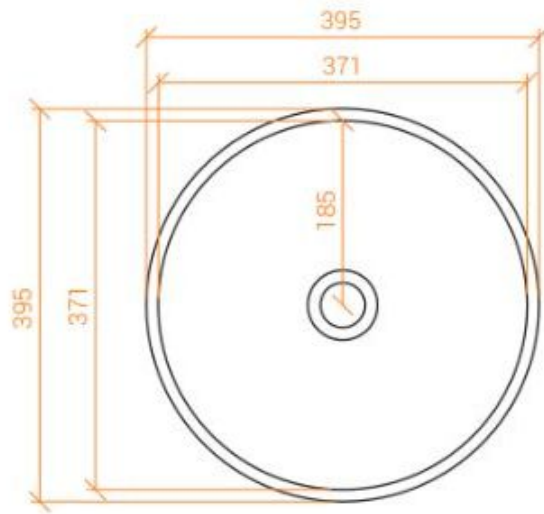


TECHNICAL SHEET



TECHNICAL DATA

Kg 3.8	>	<	395	395	160
	<	>	371	371	140