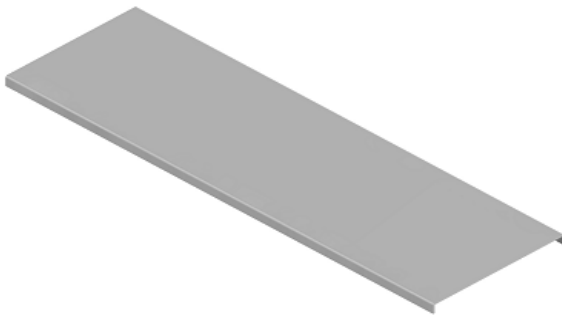


Cable Ladder Covers - MK Series


Model Number	Width (W) (mm)	Plate Thick. (T) (mm)	Weight kg/m	Order Code (PG)
MK 10 10	100	1,00	0,989	3200 13 100 10 1
MK 15 10	150	1,00	1,382	3200 13 150 10 1
MK 20 12	200	1,20	2,129	3200 13 200 12 1
MK 30 12	300	1,20	3,071	3200 13 300 12 1
MK 40 15	400	1,50	5,016	3200 13 400 15 1
MK 45 15	450	1,50	5,605	3200 13 450 15 1
MK 50 15	500	1,50	6,194	3200 13 500 15 1
MK 60 15	600	1,50	7,371	3200 13 600 15 1
MK 75 20	750	2,00	12,183	3200 13 750 20 1
MK 90 20	900	2,00	14,538	3200 13 900 20 1

*Standard Length(L) 3200mm / on request 2500mm

*Each length of tray cover needs 4 pcs of cover clamps

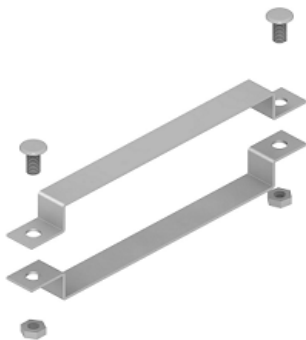
*PG: Steel, Pregalvanised ISO EN 10327 (TS 822)

PG	HDG	EPOXY	AISI 304	AISI 316
+	+	+	+	+

Cover Clamp- KT/1


Model Number	Height (mm)	Plate Thick. (T) (mm)	Weight kg/pcs	Order Code (PG)
KT/1 50	50	2,00	0,034	3901 50 000 20 1
KT/1 60	60	2,00	0,037	3901 60 000 20 1
KT/1 70	70	2,00	0,043	3901 70 000 20 1
KT/1 100	100	2,00	0,049	3901 10 000 20 1
KT/1 150	150	2,00	0,064	3901 15 000 20 1

*PG: Steel, Pregalvanised ISO EN 10327 (TS 822)

Cover Holder- KT/2


Model Number	Width (W) (mm)	Height (H) (mm)	Weight kg/set	Order Code (PG)
KT/2 710	100	70,00	0,132	3902 70 100 15 1
KT/2 715	150	70,00	0,155	3902 70 150 15 1
KT/2 720	200	70,00	0,179	3902 70 200 15 1
KT/2 730	300	70,00	0,301	3902 70 300 20 1
KT/2 740	400	70,00	0,364	3902 70 400 20 1
KT/2 745	450	70,00	0,396	3902 70 450 20 1
KT/2 750	500	70,00	0,427	3902 70 500 20 1
KT/2 760	600	70,00	0,490	3902 70 600 20 1
KT/2 775	750	70,00	0,584	3902 70 750 20 1
KT/2 790	900	70,00	0,678	3902 70 900 20 1

*Each holder set include 2 sets of M8 Bolt and Nuts

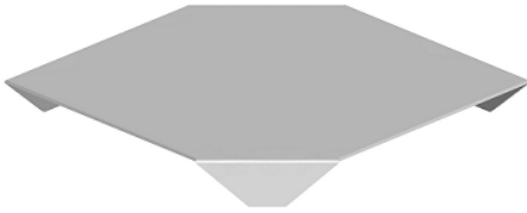
*The product may be produced in any requested height

*PG: Steel, Pregalvanised ISO EN 10327 (TS 822)

ORDER CODES PRINCIPLE FOR SOME OTHER STANDARD HEIGHTS

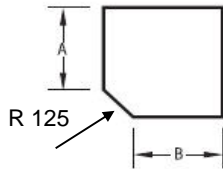
H:50	H:60	H:70	H:100	H:150
KT/2 5...	KT/2 6...	KT/2 7...	KT/2 10...	KT/2 15...

For example: If you need to order the clamp for ladder 300x60mm, the order code is KT/2 630

90° Horizontal Bend Covers


Order Code	Radius
------------	--------

3221.....	R:150
3222.....	R:300
3223.....	R:450
3224.....	R:600



Model Number	Width (W) (mm)	Plate Thick. (T) (mm)	Weight kg/m	Order Code (PG)
MK90 10 10	100	1,00	0,314	3220 13 100 10 1
MK90 15 10	160	1,00	0,531	3220 13 150 10 1
MK90 20 12	200	1,20	0,848	3220 13 200 12 1
MK90 30 12	300	1,20	1,507	3220 13 300 12 1
MK90 40 15	400	1,50	2,944	3220 13 400 15 1
MK90 45 15	450	1,50	3,562	3220 13 450 15 1
MK90 50 15	500	1,50	4,239	3220 13 500 15 1
MK90 60 15	600	1,50	5,770	3220 13 600 15 1
MK90 75 20	750	2,00	11,343	3220 13 750 20 1
MK90 90 20	900	2,00	15,700	3220 13 900 20 1

*Required 3 pcs of Cover Clamps for fixing to trays

*Please specify A and B dimensions if order unequal bend cover / different radius cover

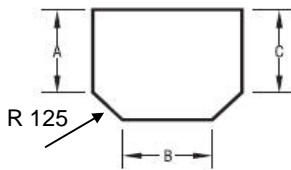
*PG: Steel, Pregalvanised ISO EN 10327 (TS 822)

PG	HDG	EPOXY	AISI 304	AISI 316
+	+	+	+	+

Tee Horizontal Bend Covers


Order Code	Radius
------------	--------

3231.....	R:150
3232.....	R:300
3233.....	R:450
3234.....	R:600



Model Number	Width (W) (mm)	Plate Thick. (T) (mm)	Weight kg/pcs	Order Code (PG)
MKT 10 10	100	1,00	0,495	3230 13 100 10 1
MKT 15 10	160	1,00	0,763	3230 13 150 10 1
MKT 20 12	200	1,20	1,168	3230 13 200 12 1
MKT 30 12	300	1,20	1,931	3230 13 300 12 1
MKT 40 15	400	1,50	3,603	3230 13 400 15 1
MKT 45 15	450	1,50	4,286	3230 13 450 15 1
MKT 50 15	500	1,50	5,028	3230 13 500 15 1
MKT 60 15	600	1,50	6,688	3230 13 600 15 1
MKT 75 20	750	2,00	12,827	3230 13 750 20 1
MKT 90 20	900	2,00	17,443	3230 13 900 20 1

*Required 4 pcs of Cover Clamps for fixing to trays

*Please specify A and B dimensions if order unequal bend cover / different radius cover

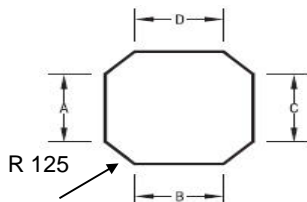
*PG: Steel, Pregalvanised ISO EN 10327 (TS 822)

PG	HDG	EPOXY	AISI 304	AISI 316
+	+	+	+	+

Crossing Horizontal Bend Covers


Order Code	Radius
------------	--------

3241.....	R:150
3242.....	R:300
3243.....	R:450
3244.....	R:600



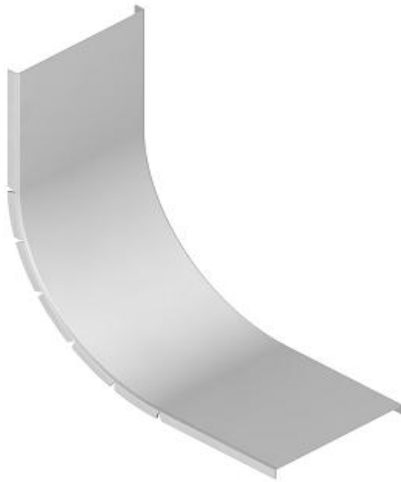
Model Number	Width (W) (mm)	Plate Thick. (T) (mm)	Weight kg/pcs	Order Code (PG)
MKD 10 10	100	1,00	0,531	3240 13 100 10 1
MKD 15 10	160	1,00	0,804	3240 13 150 10 1
MKD 20 12	200	1,20	1,221	3240 13 200 12 1
MKD 30 12	300	1,20	1,993	3240 13 300 12 1
MKD 40 15	400	1,50	3,693	3240 13 400 15 1
MKD 45 15	450	1,50	4,381	3240 13 450 15 1
MKD 50 15	500	1,50	5,129	3240 13 500 15 1
MKD 60 15	600	1,50	6,801	3240 13 600 15 1
MKD 75 20	750	2,00	13,001	3240 13 750 20 1
MKD 90 20	900	2,00	17,641	3240 13 900 20 1

*Required 4 pcs of Cover Clamps for fixing to trays

*Please specify A and B dimensions if order unequal bend cover / different radius cover

*PG: Steel, Pregalvanised ISO EN 10327 (TS 822)

PG	HDG	EPOXY	AISI 304	AISI 316
+	+	+	+	+

90° Vertical Ladder Flexible Bend Covers


Model Number	Width (W) (mm)	Plate Thick. (T) (mm)	Weight kg/pcs	Order Code (PG)
MKIB 10 10	100	1,00	0,643	3250 13 100 10 1
MKIB 15 10	150	1,00	0,898	3250 13 150 10 1
MKIB 20 12	200	1,20	1,384	3250 13 200 12 1
MKIB 30 12	300	1,20	1,996	3250 13 300 12 1
MKIB 40 15	400	1,50	3,260	3250 13 400 15 1
MKIB 45 15	450	1,50	3,643	3250 13 450 15 1
MKIB 50 15	500	1,50	4,026	3250 13 500 15 1
MKIB 60 15	600	1,50	4,791	3250 13 600 15 1
MKIB 75 20	750	2,00	7,919	3250 13 750 20 1
MKIB 90 20	900	2,00	9,450	3250 13 900 20 1

*Each pieces required 4 pcs of Cover Clamps for fixing to vertical bend

*Flexible Vercital bend delivered in plain position and may be used for 30, 60, 90 degrees

*PG: Steel, Pregalvanised ISO EN 10327 (TS 822)

PG	HDG	EPOXY	AISI 304	AISI 316
+	+	+	+	+

90° Vertical Ladder Flexible Bend Covers

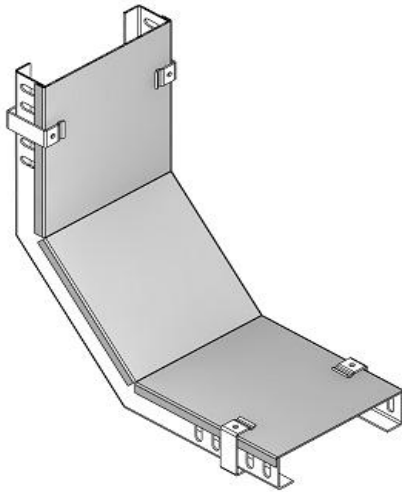

Model Number	Width (W) (mm)	Plate Thick. (T) (mm)	Weight kg/pcs	Order Code (PG)
MKDB 10 10	100	1,00	0,643	3250 13 100 10 1
MKDB 15 10	150	1,00	0,898	3250 13 150 10 1
MKDB 20 12	200	1,20	1,384	3250 13 200 12 1
MKDB 30 12	300	1,20	1,996	3250 13 300 12 1
MKDB 40 15	400	1,50	3,260	3250 13 400 15 1
MKDB 45 15	450	1,50	3,643	3250 13 450 15 1
MKDB 50 15	500	1,50	4,026	3250 13 500 15 1
MKDB 60 15	600	1,50	4,791	3250 13 600 15 1
MKDB 75 20	750	2,00	7,919	3250 13 750 20 1
MKDB 90 20	900	2,00	9,450	3250 13 900 20 1

*Each pieces required 4 pcs of Cover Clamps for fixing to vertical bend

*Flexible Vercital bend delivered in plain position and may be used for 30, 60, 90 degrees

*PG: Steel, Pregalvanised ISO EN 10327 (TS 822)

PG	HDG	EPOXY	AISI 304	AISI 316
+	+	+	+	+

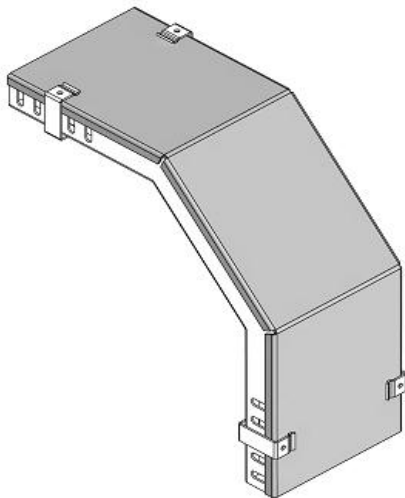
90° Vertical Ladder Solid Bend Covers


Model Number	Width (W) (mm)	Plate Thick. (T) (mm)	Weight kg/pcs	Order Code (PG)
MKIS 10 10	100	1,00	0,643	3260 13 100 10 1
MKIS 15 10	150	1,00	0,898	3260 13 150 10 1
MKIS 20 12	200	1,20	1,384	3260 13 200 12 1
MKIS 30 12	300	1,20	1,996	3260 13 300 12 1
MKIS 40 15	400	1,50	3,260	3260 13 400 15 1
MKIS 45 15	450	1,50	3,643	3260 13 450 15 1
MKIS 50 15	500	1,50	4,026	3260 13 500 15 1
MKIS 60 15	600	1,50	4,791	3260 13 600 15 1
MKIS 75 20	750	2,00	7,919	3260 13 750 20 1
MKIS 90 20	900	2,00	9,450	3260 13 900 20 1

*Each pieces required 4 pcs of Cover Clamps for fixing to vertical bend

*PG: Steel, Pregalvanised ISO EN 10327 (TS 822)

PG	HDG	EPOXY	AISI 304	AISI 316
+	+	+	+	+

90° Vertical Ladder Solid Bend Covers


Model Number	Width (W) (mm)	Plate Thick. (T) (mm)	Weight kg/pcs	Order Code (PG)
MKDS 10 10	100	1,00	0,643	3260 13 100 10 1
MKDS 15 10	150	1,00	0,898	3260 13 150 10 1
MKDS 20 12	200	1,20	1,384	3260 13 200 12 1
MKDS 30 12	300	1,20	1,996	3260 13 300 12 1
MKDS 40 15	400	1,50	3,260	3260 13 400 15 1
MKDS 45 15	450	1,50	3,643	3260 13 450 15 1
MKDS 50 15	500	1,50	4,026	3260 13 500 15 1
MKDS 60 15	600	1,50	4,791	3260 13 600 15 1
MKDS 75 20	750	2,00	7,919	3260 13 750 20 1
MKDS 90 20	900	2,00	9,450	3260 13 900 20 1

*Each pieces required 4 pcs of Cover Clamps for fixing to vertical bend

*PG: Steel, Pregalvanised ISO EN 10327 (TS 822)

PG	HDG	EPOXY	AISI 304	AISI 316
+	+	+	+	+