

PRODUCT DATASHEET

LED TUBE FB-9W/T8G/830L

Professional Products LED Tube | Two-side power input



AREAS OF APPLICATION

- Industry
- Warehouses
- Supermarkets and department stores
- Corridors, stairways, parking garages
- General illumination
- Domestic applications

PRODUCT BENEFITS

- Low energy consumption
- Easy replacement
- Instant 100 % light, no warm-up time
- No bending thanks to glass technology
- Built-in constant current driver better stability of usage

PRODUCT FEATURES

- LED alternative to conventional lamps
- Mercury-free lamps
- Tube made of glass
- Uniform illumination



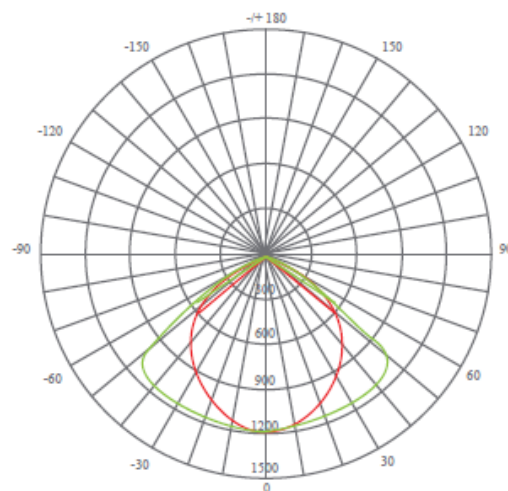
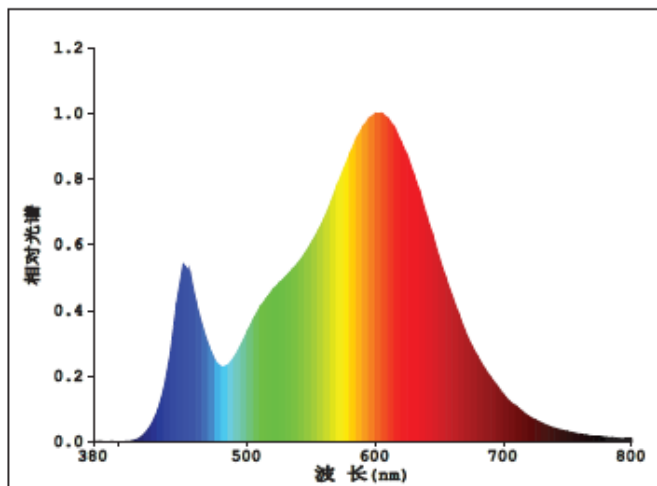
TECHNICAL DATA

Electrical data

Rated wattage	9.00 W
Nominal wattage	9.00 W
Nominal voltage	185-240VAC
Operating frequency	50...60 Hz
Power factor λ	> 0.50
Claimed equiv. conventional lamp power	18 W

Photometrical data

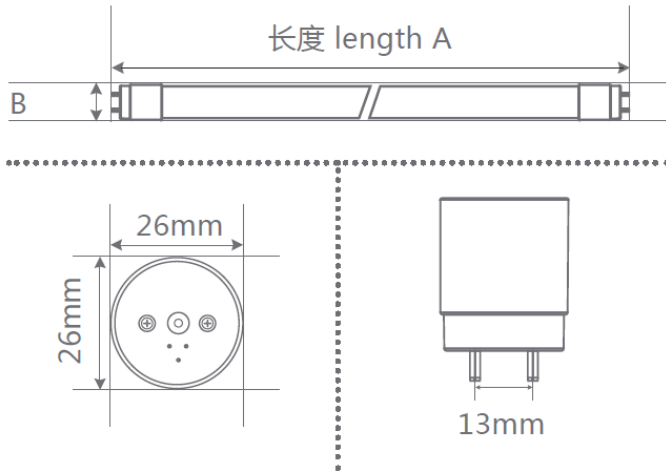
Rated luminous flux	900 lm
Light color (designation)	Warm White
Color temperature	3000 K
Luminous flux	900 lm
Lumen main.fact.at end of nom. life time	0.70
Color rendering index Ra	≥ 80
Standard deviation of color matching	≤ 6 sdcn
Nominal luminous flux	900 lm
Luminous efficacy	100 lm/W
Rated color temperature	3000 K
Color rendering index Ra	≥ 80



Light technical data

Starting time	< 0.5 s
Warm-up time (60 %)	< 0.50 s
Rated beam angle (half peak value)	310,00 °

Dimensions & weight



Overall length	603.0 mm
Diameter	26.0 mm
Product weight	101.00 g

Lifespan

Nominal lamp life time	25000 h
Rated lamp life time	25000 h
Number of switching cycles	15000

Capabilities

Dimmable	No
-----------------	----

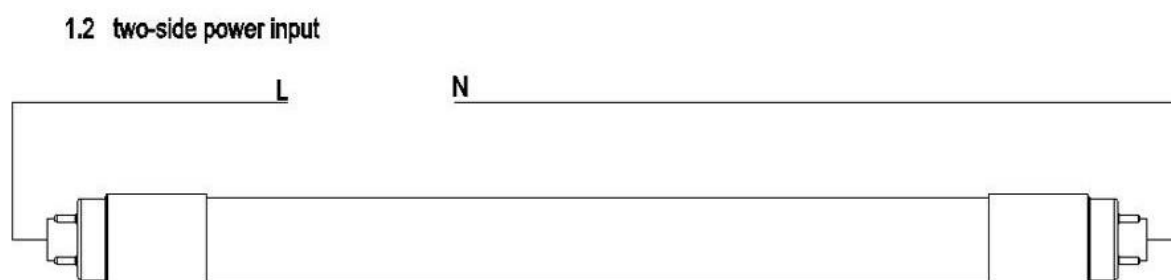
Temperatures & operating conditions

Ambient temperature range	-20...+40 °C
Maximum temperature at tc test point	75 °C

Additional product data

Base (standard designation)	G13
Mercury-free	Yes
Design / version	frosted
Product remark	All technical parameters apply to the entire lamp/Due to the complex production process for light-emitting diodes, the typical values shown for the technical LED parameters are purely statistical values that do not necessarily match the actual technical parameters of each individual product, which can vary from the typical value
Mercury content	0.0 mg

Connection scheme



Order code/Name

Order code/Name	FB2930 LED TUBE FB-9W/T8G/830L
------------------------	--------------------------------

LOGISTICAL DATA

Product code	Packaging unit (Pieces/Unit)	Dimensions (length x width x height)	Gross weight	Volume
FB2930	Foam package 1	28 mm x 603 mm	101.00 g	0.47 dm ³
FB2930	Shipping carton box 30	645 mm x 205 mm x 175 mm	3500.00 g	0.020 m ³

The mentioned product code describes the smallest quantity unit which can be ordered. One shipping unit can contain one or more single products. When placing an order, for the quantity please enter single or multiples of a shipping

REFERENCES / LINKS

For further products and actual information concerning LED lamps see www.fucida.eu

For Guarantee see www.fucida.eu

DISCLAIMER

Subject to change without notice. Errors and omission excepted.

