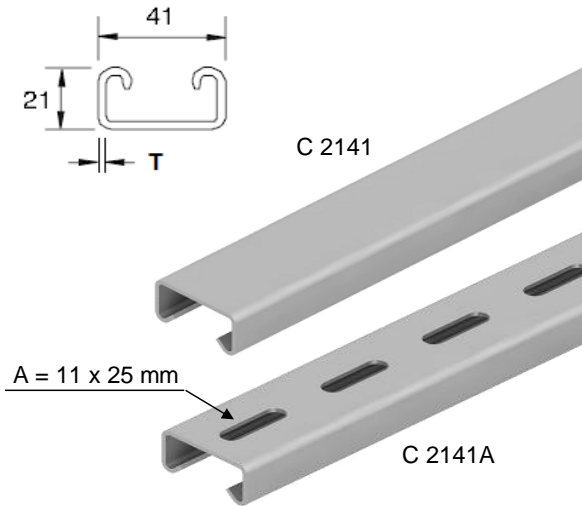


C channel profiles 21x41


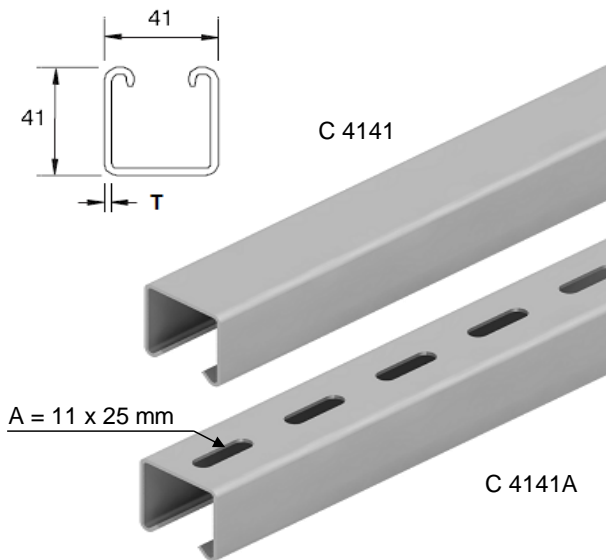
Model Number	Dimensions (mm)	Thickness (T) (mm)	Weight kg/m	Order Code (PG)
C 2141 2	21x41	2,00	1,617	4100 21 041 20 1
C 2141 2.5	21x41	2,50	2,021	4100 21 041 25 1
C 2141A 2	21x41	2,00	1,617	4101 21 041 20 1
C 2141A 2.5	21x41	2,50	2,021	4101 21 041 25 1

*Standard Length(L) 6000mm / on request 3000mm

*Standard hole 11x25mm / on request 14x28mm

*ISO EN 10327 (TS 822) PREGALVANISED

PG	HDG	EPOXY	AISI 304	AISI 316
+	+	+	+	+

C channel profiles


Model Number	Dimensions (mm)	Thickness (T) (mm)	Weight kg/m	Order Code (PG)
C 4141 2	41x41	2,00	2,245	4100 41 041 20 1
C 4141 2.5	41x41	2,50	2,806	4100 41 041 25 1
C 4141A 2	41x41	2,00	2,245	4101 41 041 20 1
C 4141A 2.5	41x41	2,50	2,806	4101 41 041 25 1

*Standard Length(L) 6000mm / on request 3000mm

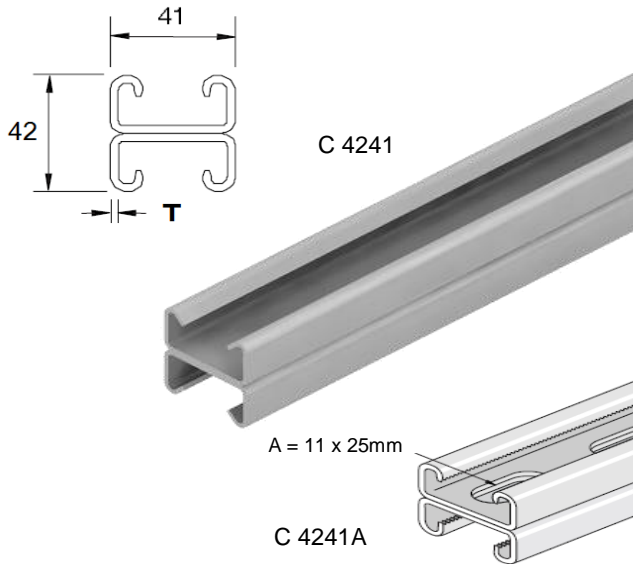
*Standard hole 11x25mm / on request 14x28mm

*ISO EN 10327 (TS 822) PREGALVANISED

PG	HDG	EPOXY	AISI 304	AISI 316
+	+	+	+	+

C support static value


L (mm)	21x41x2		21x41x2,5		41x41x2,5		41x41x2,5	
	F (kg)	f (mm)	F (kg)	f (mm)	F (kg)	f (mm)	F (kg)	f (mm)
250	39,00	0,43	49,00	0,59	90,00	0,37	140,00	0,24
500	19,50	1,72	24,50	2,35	45,00	1,48	70,00	0,94
750	13,00	3,87	16,33	5,28	30,00	3,35	46,67	2,12
1.000	9,75	6,88	12,29	9,39	22,50	5,92	35,00	3,77
1.250	7,80	10,74	9,80	11,66	18,00	9,26	28,00	5,90
1.500	6,50	15,47	8,17	21,22	15,00	13,30	23,33	8,49
1.750	5,57	21,06	7,00	28,74	12,86	18,14	20,00	11,56
2.000	4,88	27,50	6,13	37,54	11,25	23,70	17,50	15,10
2.250	-	-	-	-	10,00	29,94	15,56	19,11
2.500	-	-	-	-	9,00	37,83	14,00	23,59

C double channel profiles 42x41


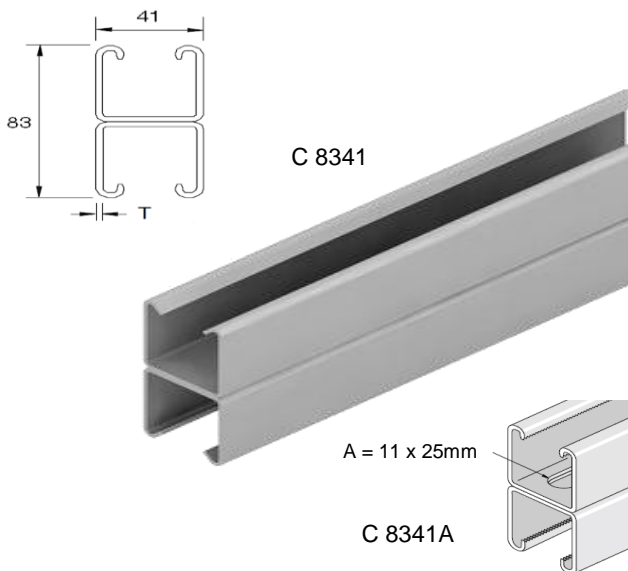
Model Number	Dimensions (mm)	Thickness (T) (mm)	Weight kg/m	Order Code (PG)
C 4241 2	42x41	2,00	3,234	4100 42 041 20 1
C 4241 2.5	42x41	2,50	4,042	4100 42 041 25 1
C 4241A 2	42x41	2,00	3,234	4101 42 041 20 1
C 4241A 2.5	42x41	2,50	4,042	4101 42 041 25 1

*Standard Length(L) 6000mm / on request 3000mm

*Standard hole 11x25mm / on request 14x28mm

*ISO EN 10327 (TS 822) PREGALVANISED

PG	HDG	EPOXY	AISI 304	AISI 316
+	+	+	+	+

C double channel profiles 83x41


Model Number	Dimensions (mm)	Thickness (T) (mm)	Weight kg/m	Order Code (PG)
C 8341 2	83x41	2,00	4,490	4100 83 041 20 1
C 8341 2.5	83x41	2,50	5,612	4100 83 041 25 1
C 8341A 2	83x41	2,00	4,490	4101 83 041 20 1
C 8341A 2.5	83x41	2,50	5,612	4101 83 041 25 1

*Standard Length(L) 6000mm / on request 3000mm

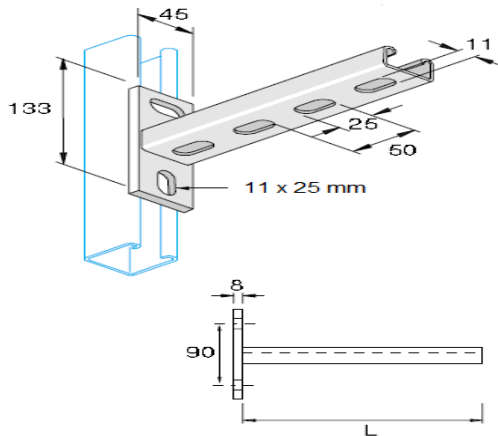
*Standard hole 11x25mm / on request 14x28mm

*ISO EN 10327 (TS 822) PREGALVANISED

PG	HDG	EPOXY	AISI 304	AISI 316
+	+	+	+	+

C channel profile static value


L (mm)	D21x41x2			D21x41x2,5		D41x41x2		D41x41x2,5	
	F (kg)	f (mm)		F (kg)	f (mm)	F (kg)	f (mm)	F (kg)	f (mm)
250	90,00	0,32		140,00	0,20	-	-	-	-
500	45,00	1,28		70,00	0,82	-	-	-	-
750	30,00	2,89		46,67	1,84	133,33	1,79	166,70	0,91
1.000	22,50	5,14		35,00	3,27	100,00	3,17	125,00	1,62
1.250	18,00	8,02		28,00	5,11	80,00	4,96	100,00	2,54
1.500	15,00	11,56		23,33	7,36	66,70	7,14	83,33	3,66
1.750	12,86	15,73		20,00	10,02	57,14	9,72	71,43	4,28
2.000	11,25	20,54		17,50	13,09	50,00	12,10	62,50	6,50
2.250	10,00	26,00		15,56	16,57	44,40	16,07	55,56	8,23
2.500	9,00	30,10		14,00	20,45	40,00	19,84	50,00	10,16

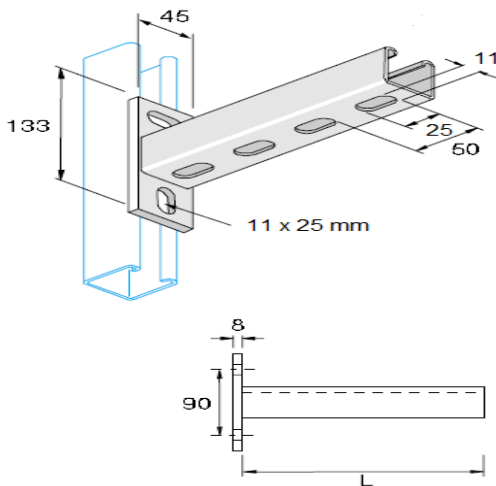
C channel brackets


Model Number	Length (L) (mm)	Thickness (T) (mm)	Weight kg/pcs	Order Code (EG)
C21 50	60	2,50	0,497	4110 21 050 25 7
C21 100	110	2,50	0,598	4110 21 100 25 7
C21 160	170	2,50	0,719	4110 21 160 25 7
C21 200	210	2,50	0,800	4110 21 200 25 7
C21 300	310	2,50	1,002	4110 21 300 25 7
C21 400	410	2,50	1,204	4110 21 400 25 7

*Standard hole 11x25mm / on request 14x28mm

*EG: TS 149 ELECTRO GALVANISED

EG	HDG	EPOXY	AISI 304	AISI 316
+	+	+	+	+

C channel brackets


Model Number	Length (L) (mm)	Thickness (T) (mm)	Weight kg/pcs	Order Code (EG)
C41 50	60	2,50	0,544	4110 41 050 25 7
C41 100	110	2,50	0,685	4110 41 100 25 7
C41 160	170	2,50	0,853	4110 41 160 25 7
C41 200	210	2,50	0,965	4110 41 200 25 7
C41 300	310	2,50	1,246	4110 41 300 25 7
C41 400	410	2,50	1,526	4110 41 400 25 7
C41 500	510	2,50	1,807	4110 41 500 25 7
C41 600	610	2,50	2,088	4110 41 600 25 7

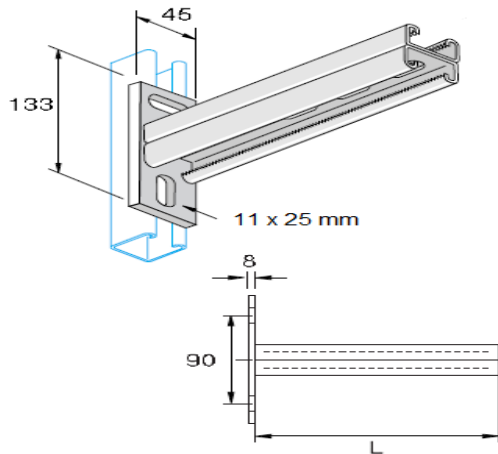
*Standard hole 11x25mm / on request 14x28mm

*EG: TS 149 ELECTRO GALVANISED

EG	HDG	EPOXY	AISI 304	AISI 316
+	+	+	+	+

C channel bracket static value

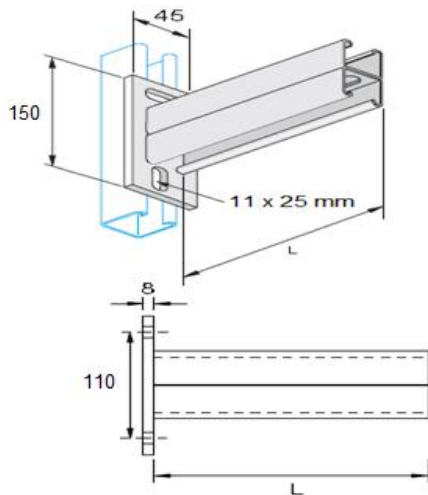
MODELS NUMBER	(mm)				
C21 50	60	280 kg	140 kg	140 kg	93 kg
C21 100	110	240 kg	120 kg	120 kg	80 kg
C21 160	170	200 kg	100 kg	100 kg	67 kg
C21 200	210	175 kg	88 kg	88 kg	58 kg
C21 300	310	95 kg	48 kg	48 kg	32 kg
C21 400	410	70 kg	35 kg	35 kg	23 kg
C41 50	60	900 kg	450 kg	450 kg	300 kg
C41 100	110	740 kg	370 kg	370 kg	247 kg
C41 160	170	620 kg	310 kg	310 kg	207 kg
C41 200	210	520 kg	260 kg	260 kg	173 kg
C41 300	310	320 kg	160 kg	160 kg	107 kg
C41 400	410	240 kg	120 kg	120 kg	80 kg
C41 500	510	195 kg	98 kg	98 kg	65 kg
C41 600	610	160 kg	80 kg	80 kg	53 kg

C double channel brackets


Model Number	Length (L) (mm)	Thickness (T) (mm)	Weight kg/pcs	Order Code (EG)
C42 100	110	2,50	0,820	4110 42 100 25 7
C42 160	170	2,50	1,063	4110 42 160 25 7
C42 200	210	2,50	1,225	4110 42 200 25 7
C42 300	310	2,50	1,629	4110 42 300 25 7
C42 400	410	2,50	2,033	4110 42 400 25 7
C42 500	510	2,50	2,437	4110 42 500 25 7
C42 600	610	2,50	2,841	4110 42 600 25 7

*Standard hole 11x25mm / on request 14x28mm
 *EG: TS 149 ELECTRO GALVANISED

EG	HDG	EPOXY	AISI 304	AISI 316
+	+	+	+	+

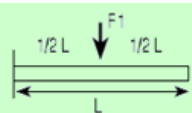
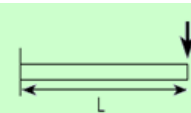
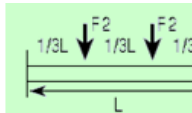
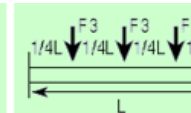
C double channel brackets


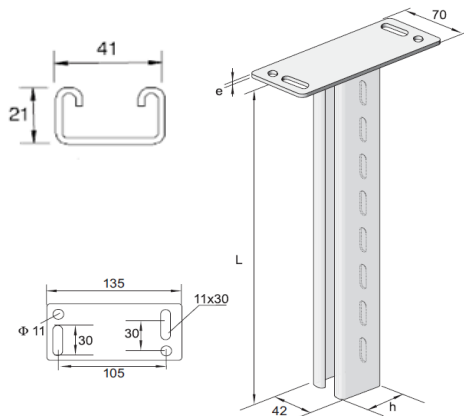
Model Number	Length (L) (mm)	Thickness (T) (mm)	Weight kg/pcs	Order Code (EG)
C83 100	110	2,50	1,041	4110 83 100 25 7
C83 160	170	2,50	1,378	4110 83 160 25 7
C83 200	210	2,50	1,602	4110 83 200 25 7
C83 300	310	2,50	2,164	4110 83 300 25 7
C83 400	410	2,50	2,725	4110 83 400 25 7
C83 500	510	2,50	3,286	4110 83 500 25 7
C83 600	610	2,50	3,847	4110 83 600 25 7

*Standard hole 11x25mm / on request 14x28mm
 *EG: TS 149 ELECTRO GALVANISED

EG	HDG	EPOXY	AISI 304	AISI 316
+	+	+	+	+

C channel bracket static value

MODELS NUMBER	(mm)				
C42 100	110	700 kg	350 kg	350 kg	233 kg
C42 160	170	600 kg	300 kg	300 kg	200 kg
C42 200	210	500 kg	250 kg	250 kg	167 kg
C42 300	310	300 kg	150 kg	150 kg	100 kg
C42 400	410	240 kg	120 kg	120 kg	80 kg
C42 500	510	186 kg	93 kg	93 kg	62 kg
C42 600	610	150 kg	75 kg	75 kg	50 kg
C83 100	110	990 kg	495 kg	495 kg	330 kg
C83 160	170	880 kg	440 kg	440 kg	293 kg
C83 200	210	700 kg	350 kg	350 kg	233 kg
C83 300	310	660 kg	330 kg	330 kg	220 kg
C83 400	410	520 kg	260 kg	260 kg	173 kg
C83 500	510	400 kg	200 kg	200 kg	133 kg
C83 600	610	340 kg	170 kg	170 kg	113 kg

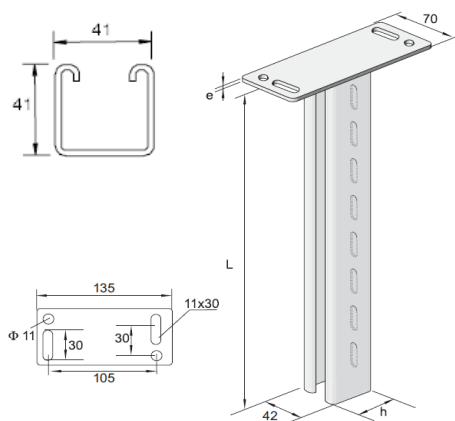
C channel hanging support


Model Number	Length (L) (mm)	Thickness (T) (mm)	Weight kg/pcs	Order Code (EG)
CT21 25	250	2,50	1,636	4120 21 025 25 7
CT21 50	500	2,50	2,141	4120 21 050 25 7
CT21 75	750	2,50	2,646	4120 21 075 25 7
CT21 100	1000	2,50	3,151	4120 21 100 25 7
CT21 125	1250	2,50	3,657	4120 21 125 25 7
CT21 150	1500	2,50	4,162	4120 21 150 25 7

*Standard hole 11x25mm / on request 14x28mm

*EG: TS 149 ELECTRO GALVANISED

EG	HDG	EPOXY	AISI 304	AISI 316
+	+	+	+	+

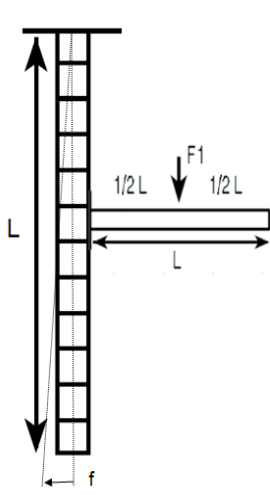
C channel hanging support


Model Number	Length (L) (mm)	Thickness (T) (mm)	Weight kg/pcs	Order Code (EG)
CT41 25	250	2,50	1,171	4120 41 025 25 7
CT41 50	500	2,50	1,873	4120 41 050 25 7
CT41 75	750	2,50	2,574	4120 41 075 25 7
CT41 100	1000	2,50	3,276	4120 41 100 25 7
CT41 125	1250	2,50	3,977	4120 41 125 25 7
CT41 150	1500	2,50	4,679	4120 41 150 25 7
CT41 175	1750	2,50	5,380	4120 41 500 25 7
CT41 200	2000	2,50	6,082	4120 41 600 25 7

*Standard hole 11x25mm / on request 14x28mm

*EG: TS 149 ELECTRO GALVANISED

EG	HDG	EPOXY	AISI 304	AISI 316
+	+	+	+	+

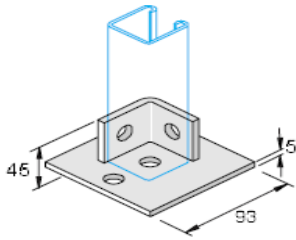
C channel bracket static value


MODEL NUMBER	(L, mm)	L = 100 mm F1=150 kg (f, mm)	L = 200 mm F1=100 kg (f, mm)	L = 400 mm F1=70 kg (f, mm)
CT21 50	500	5	5	5
CT21 100	1000	12	12	12
CT21 150	1500	17	17	20

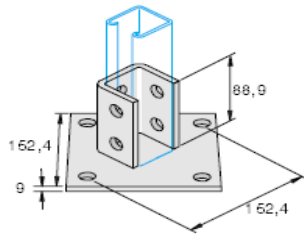
MODEL NUMBER	(L, mm)	L = 200 mm F1=200 kg (f, mm)	L = 400 mm F1=140 kg (f, mm)	L = 600 mm F1=100 kg (f, mm)
CT41 50	500	5	5	5
CT41 100	1000	12	12	14
CT41 150	1500	17	20	20
CT41 200	2000	22	23	23

C channel base fittings & wing fittings

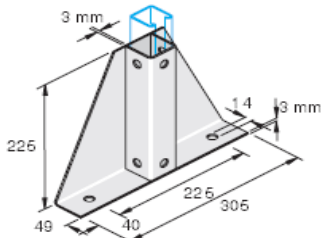
Model Number	Thickness (T) (mm)	Weight kg/pcs	Order Code (EG)
CD-01	5	0,57	4130 41 001 50 7



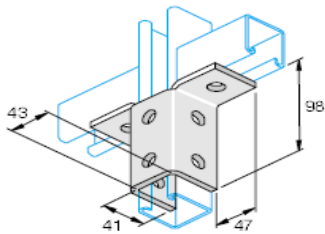
Model Number	Thickness (T) (mm)	Weight kg/pcs	Order Code (EG)
CD-03	5	2,40	4130 41 003 50 7



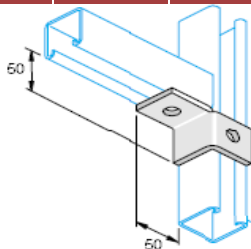
Model Number	Thickness (T) (mm)	Weight kg/pcs	Order Code (EG)
CD-05	5	2,67	4130 41 005 30 7



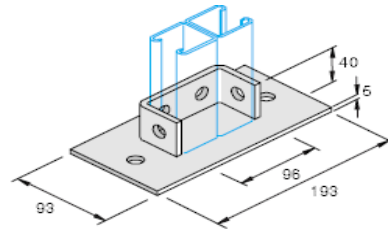
Model Number	Thickness (T) (mm)	Weight kg/pcs	Order Code (EG)
CD-07	5	0,80	4130 41 007 50 7



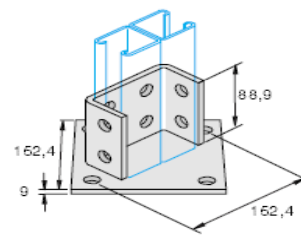
Model Number	Thickness (T) (mm)	Weight kg/pcs	Order Code (EG)
CD-09	5	0,26	4130 41 009 50 7



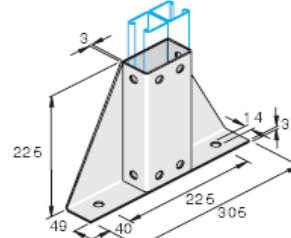
Model Number	Thickness (T) (mm)	Weight kg/pcs	Order Code (EG)
CD-02	5	1,10	4130 83 002 50 7



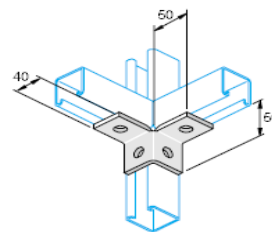
Model Number	Thickness (T) (mm)	Weight kg/pcs	Order Code (EG)
CD-04	5	2,54	4130 83 004 50 7



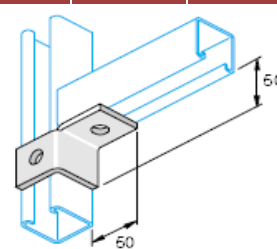
Model Number	Thickness (T) (mm)	Weight kg/pcs	Order Code (EG)
CD-06	5	2,86	4130 83 006 30 7



Model Number	Thickness (T) (mm)	Weight kg/pcs	Order Code (EG)
CD-08	5	0,35	4130 41 008 50 7



Model Number	Thickness (T) (mm)	Weight kg/pcs	Order Code (EG)
CD-10	5	0,26	4130 41 010 50 7

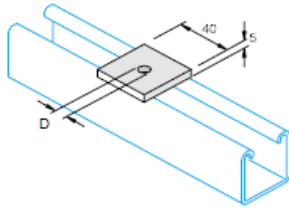


*All items available in following finishes:

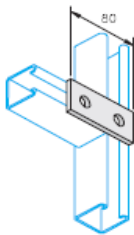
EG	HDG	EPOXY	AISI 304	AISI 316
+	+	+	+	+

C channel flat fittings

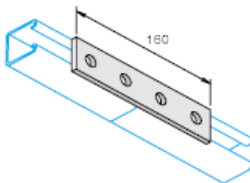
Model Number	Thickness (T) (mm)	Weight kg/pcs	Order Code (EG)
CB-01	5	0,08	4140 41 001 50 7



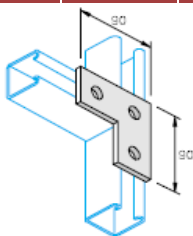
Model Number	Thickness (T) (mm)	Weight kg/pcs	Order Code (EG)
CB-03	5	0,18	4140 41 003 50 7



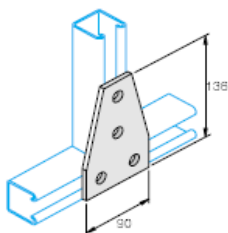
Model Number	Thickness (T) (mm)	Weight kg/pcs	Order Code (EG)
CB-05	5	0,37	4140 41 005 50 7



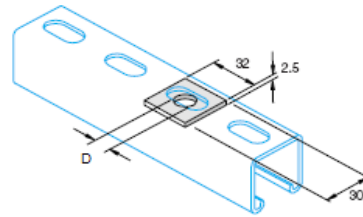
Model Number	Thickness (T) (mm)	Weight kg/pcs	Order Code (EG)
CB-07	5	0,28	4140 41 007 50 7



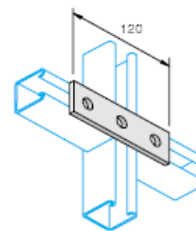
Model Number	Thickness (T) (mm)	Weight kg/pcs	Order Code (EG)
CB-09	5	0,50	4140 41 009 50 7



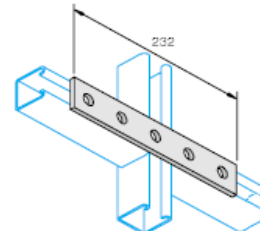
Model Number	Thickness (T) (mm)	Weight kg/pcs	Order Code (EG)
CB-02	5	0,03	4140 41 002 30 7



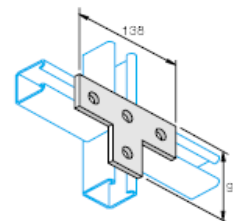
Model Number	Thickness (T) (mm)	Weight kg/pcs	Order Code (EG)
CB-04	5	0,28	4140 41 004 50 7



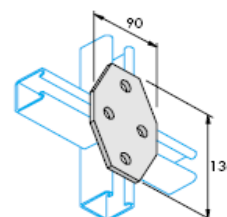
Model Number	Thickness (T) (mm)	Weight kg/pcs	Order Code (EG)
CB-06	5	0,47	4140 41 006 50 7



Model Number	Thickness (T) (mm)	Weight kg/pcs	Order Code (EG)
CB-08	5	0,37	4140 41 008 50 7



Model Number	Thickness (T) (mm)	Weight kg/pcs	Order Code (EG)
CB-10	5	0,53	4140 41 010 50 7

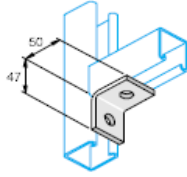


*All items available in following finishes:

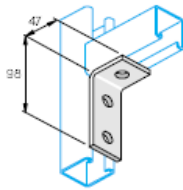
EG	HDG	EPOXY	AISI 304	AISI 316
+	+	+	+	+

C channel angle fittings

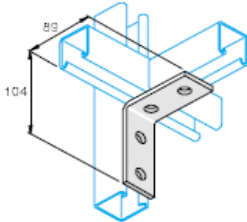
Model Number	Thickness (T) (mm)	Weight kg/pcs	Order Code (EG)
CB-11	5	0,18	4140 41 011 50 7



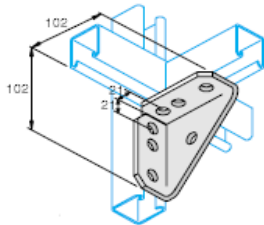
Model Number	Thickness (T) (mm)	Weight kg/pcs	Order Code (EG)
CB-13	5	0,27	4140 41 013 50 7



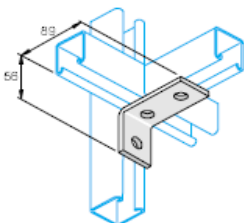
Model Number	Thickness (T) (mm)	Weight kg/pcs	Order Code (EG)
CB-15	5	0,34	4140 41 015 50 7



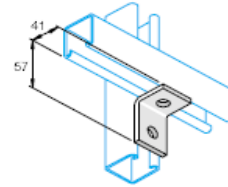
Model Number	Thickness (T) (mm)	Weight kg/pcs	Order Code (EG)
CB-17	5	0,79	4140 41 017 50 7



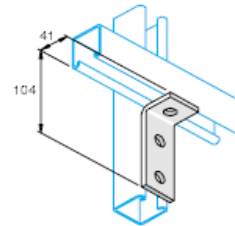
Model Number	Thickness (T) (mm)	Weight kg/pcs	Order Code (EG)
CB-19	5	0,27	4140 41 019 50 7



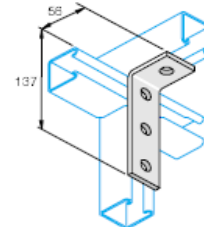
Model Number	Thickness (T) (mm)	Weight kg/pcs	Order Code (EG)
CB-12	5	0,18	4140 41 012 50 7



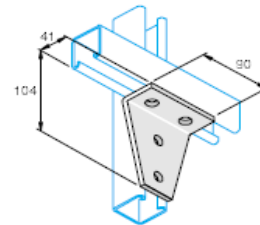
Model Number	Thickness (T) (mm)	Weight kg/pcs	Order Code (EG)
CB-14	5	0,27	4140 41 014 50 7



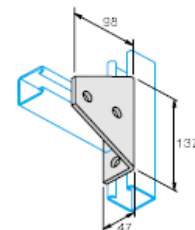
Model Number	Thickness (T) (mm)	Weight kg/pcs	Order Code (EG)
CB-16	5	0,34	4140 41 016 50 7



Model Number	Thickness (T) (mm)	Weight kg/pcs	Order Code (EG)
CB-18	5	0,50	4140 41 018 50 7



Model Number	Thickness (T) (mm)	Weight kg/pcs	Order Code (EG)
CB-20	5	0,50	4140 41 020 50 7

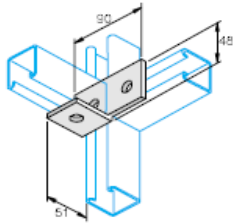


*All items available in following finishes:

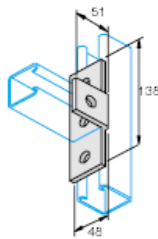
EG	HDG	EPOXY	ASI 304	ASI 316
+	+	+	+	+

[C channel angle fittings](#)

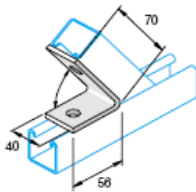
Model Number	Thickness (T) (mm)	Weight kg/pcs	Order Code (EG)
CB-21	5	0,28	4140 41 021 50 7



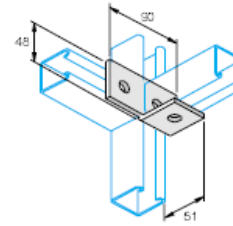
Model Number	Thickness (T) (mm)	Weight kg/pcs	Order Code (EG)
CB-23	5	0,37	4140 41 023 50 7



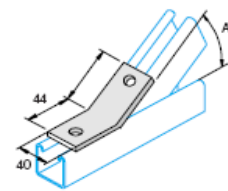
Model Number	Thickness (T) (mm)	Weight kg/pcs	Order Code (EG)
CB-25	5	0,27	4140 41 025 50 7



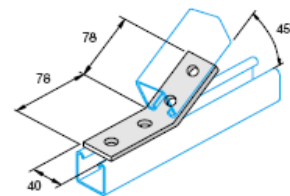
Model Number	Thickness (T) (mm)	Weight kg/pcs	Order Code (EG)
CB-22	5	0,28	4140 41 022 50 7



Model Number	Thickness (T) (mm)	Weight kg/pcs	Order Code (EG)
CB-24	5	0,27	4140 41 024 50 7



Model Number	Thickness (T) (mm)	Weight kg/pcs	Order Code (EG)
CB-26	5	0,34	4140 41 026 50 7

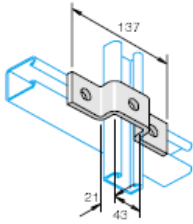


*All items available in following finishes:

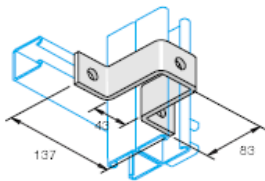
EG	HDG	EPOXY	AISI 304	AISI 316
+	+	+	+	+

C channel U and Z fittings

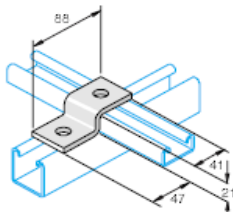
Model Number	Thickness (T) (mm)	Weight kg/pcs	Order Code (EG)
CB-30	5	0,34	4140 41 030 50 7



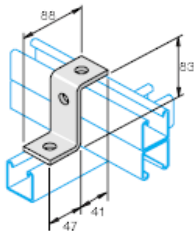
Model Number	Thickness (T) (mm)	Weight kg/pcs	Order Code (EG)
CB-32	5	0,57	4140 41 032 50 7



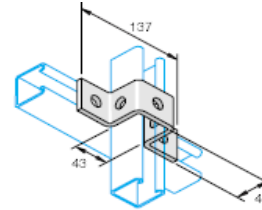
Model Number	Thickness (T) (mm)	Weight kg/pcs	Order Code (EG)
CB-34	5	0,19	4140 41 034 50 7



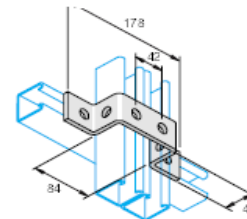
Model Number	Thickness (T) (mm)	Weight kg/pcs	Order Code (EG)
CB-36	5	0,32	4140 41 036 50 7



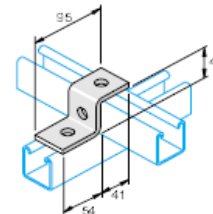
Model Number	Thickness (T) (mm)	Weight kg/pcs	Order Code (EG)
CB-31	5	0,39	4140 41 031 50 7



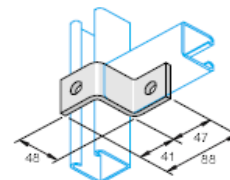
Model Number	Thickness (T) (mm)	Weight kg/pcs	Order Code (EG)
CB-33	5	0,48	4140 41 033 50 7



Model Number	Thickness (T) (mm)	Weight kg/pcs	Order Code (EG)
CB-35	5	0,25	4140 41 035 50 7



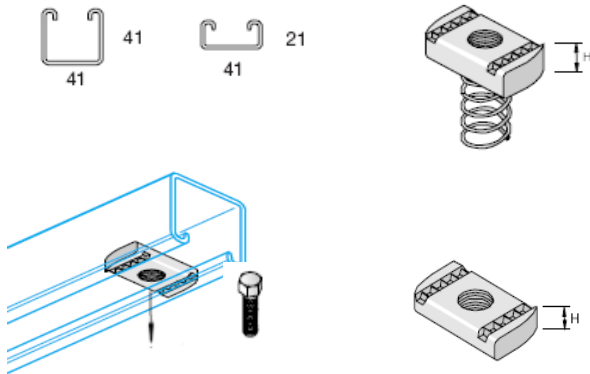
Model Number	Thickness (T) (mm)	Weight kg/pcs	Order Code (EG)
CB-37	5	0,25	4140 41 037 50 7



*All items available in following finishes:

EG	HDG	EPOXY	AISI 304	AISI 316
+	+	+	+	+

C channel fixing nuts

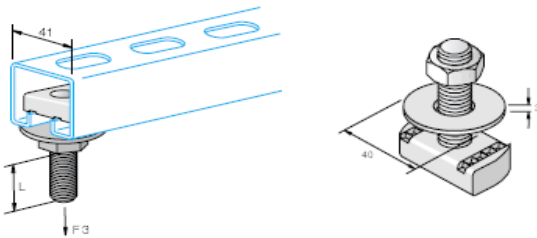


Model Number	Dimensions (D) (mm)	Weight kg/pcs	Order Code (EG)
NYS 2M8	M8x20	0,05	4171 08 000 00 7
NYS 3M8	M8x30	0,05	4171 08 000 00 7
NYS 2M10	M10x20	0,05	4171 08 000 00 7
NYS 3M10	M10x30	0,05	4171 08 000 00 7
NYS 2M12	M12x20	0,04	4171 08 000 00 7
NYS 3M12	M12x30	0,05	4171 08 000 00 7

Model Number	Dimensions (D) (mm)	Weight kg/pcs	Order Code (EG)
NS M8	M8	0,04	4170 08 000 00 7
NS M10	M10	0,04	4170 10 000 00 7
NS M12	M12	0,04	4170 12 000 00 7

*All nuts required a square head bolts and washers

C channel fixing bolts



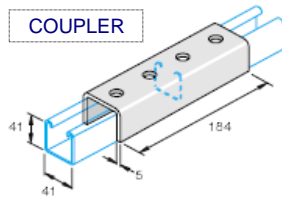
Model Number	Dimensions (D) (mm)	Weight kg/pcs	Order Code (EG)
NYS 2M8	M8x20	0,05	4171 08 000 00 7
NYS 3M8	M8x30	0,05	4171 08 000 00 7
NYS 2M10	M10x20	0,05	4171 08 000 00 7
NYS 3M10	M10x30	0,05	4171 08 000 00 7
NYS 2M12	M12x20	0,04	4171 08 000 00 7
NYS 3M12	M12x30	0,05	4171 08 000 00 7

*All items available in following finishes:

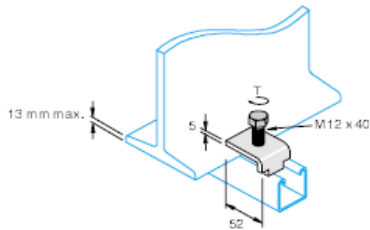
EG	HDG	EPOXY	ASI 304	ASI 316
+	+	+	+	+

C channel coupler and clamps

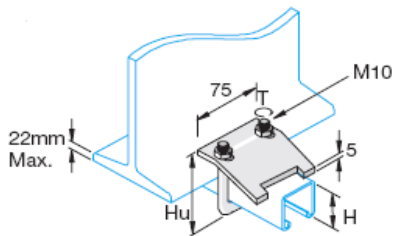
Model Number	Thickness (T) (mm)	Weight kg/pcs	Order Code (EG)
CE-01	5	1,08	4150 41 001 50 7



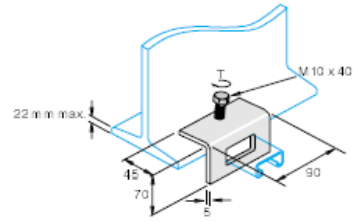
Model Number	Thickness (T) (mm)	Weight kg/pcs	Order Code (EG)
CTK-04	5	0,05	4160 41 004 50 7



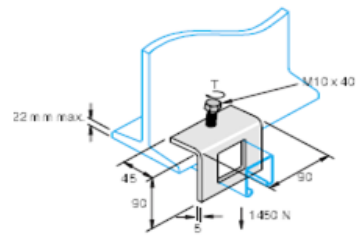
Model Number	Thickness (T) (mm)	Weight kg/pcs	Order Code (EG)
CTK-05	5	0,36	4140 41 005 50 7



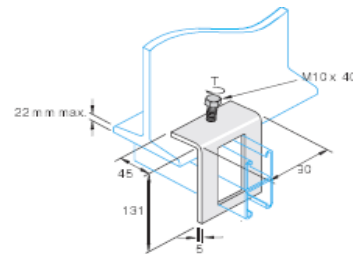
Model Number	Thickness (T) (mm)	Weight kg/pcs	Order Code (EG)
CTK-01	5	0,39	4160 21 001 50 7



Model Number	Thickness (T) (mm)	Weight kg/pcs	Order Code (EG)
CTK-02	5	0,44	4160 41 002 50 7



Model Number	Thickness (T) (mm)	Weight kg/pcs	Order Code (EG)
CTK-03	5	0,44	4160 83 003 50 7



*All items available in following finishes:

EG	HDG	EPOXY	AISI 304	AISI 316
+	+	+	+	+