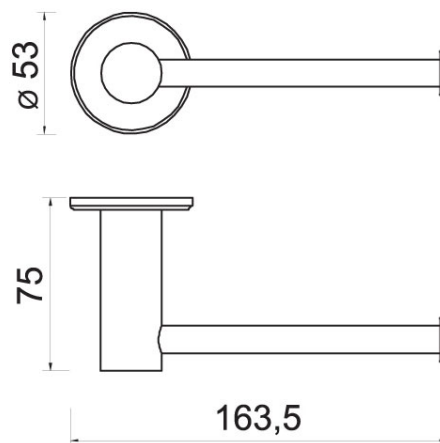
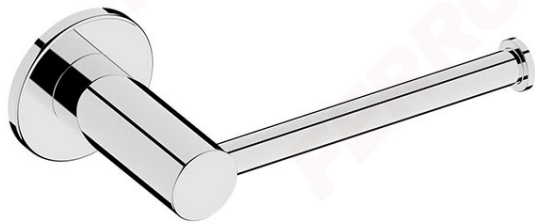


Code: **ASM33**

SMILE toilet paper holder

<https://www.ferrocompany.com/product-6324-ASM33.html>

Individual packaging: **1, package with bar code allowing for retail sale**



- chrome