

# INSTRUCTIONS

CE

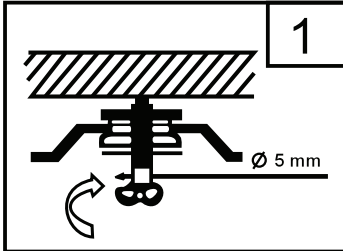
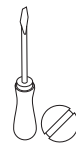
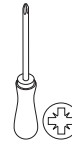
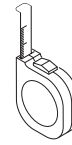
230V 50Hz



Not included

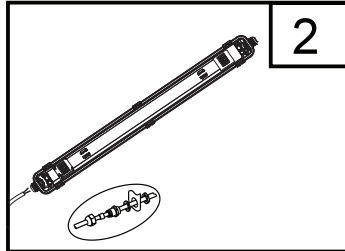


Ø6 mm

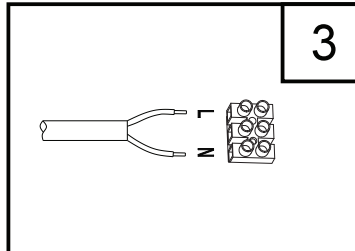


1

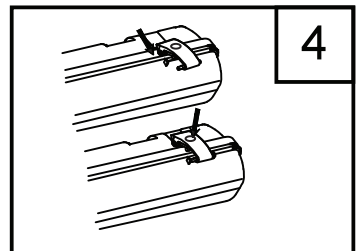
Ø 5 mm



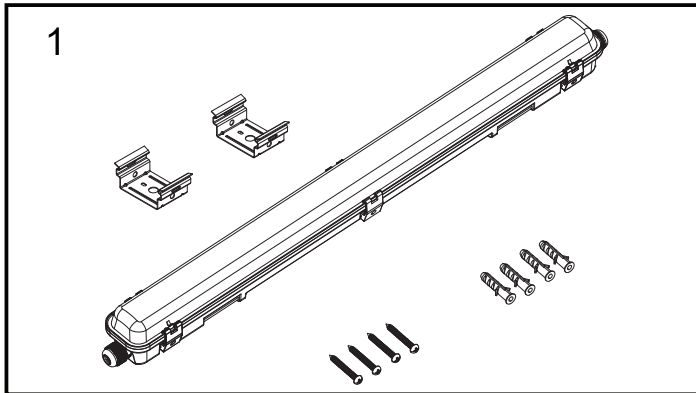
2



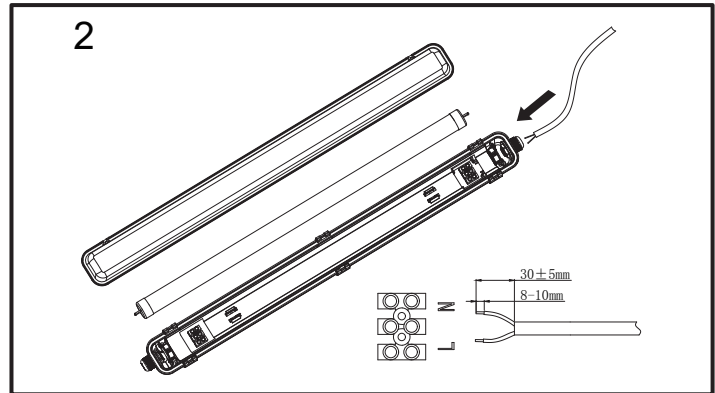
3



4



1

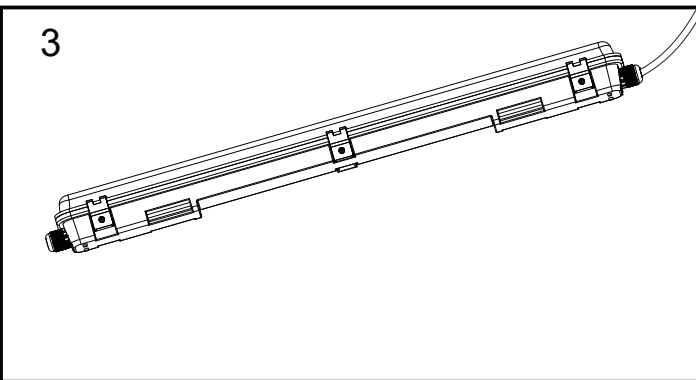


2

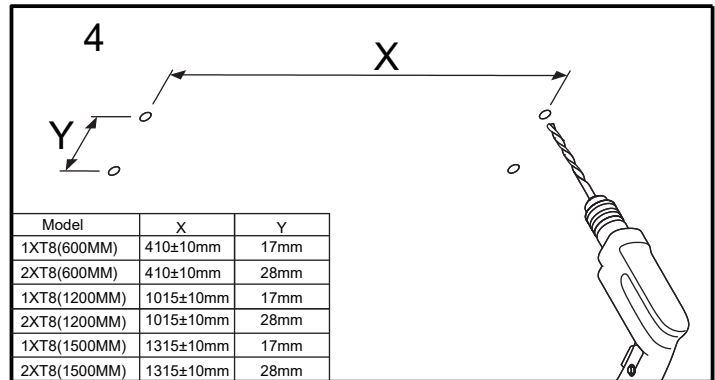
30+5mm

8-10mm

L N



3

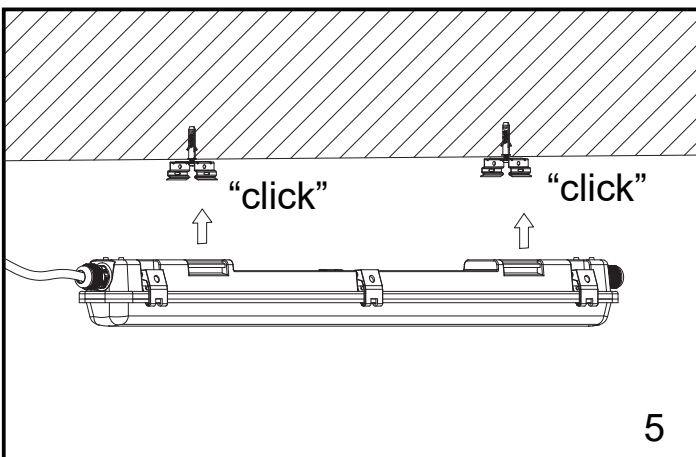


4

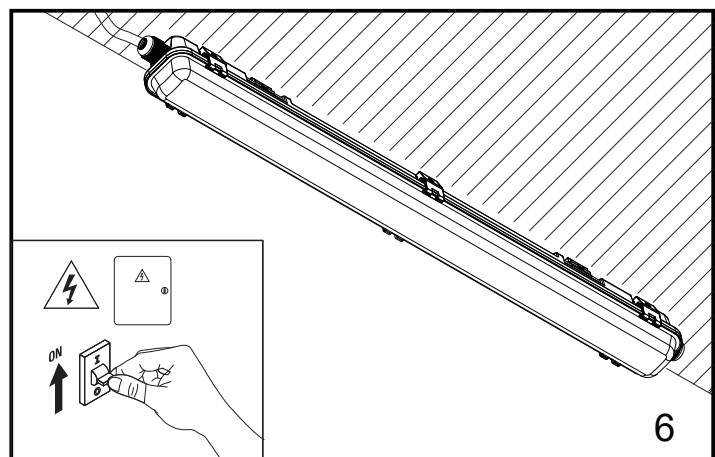
X

Y

Model	X	Y
1XT8(600MM)	410±10mm	17mm
2XT8(600MM)	410±10mm	28mm
1XT8(1200MM)	1015±10mm	17mm
2XT8(1200MM)	1015±10mm	28mm
1XT8(1500MM)	1315±10mm	17mm
2XT8(1500MM)	1315±10mm	28mm



5



6