

BENEFITS:

- More cost-benefits for everyday use



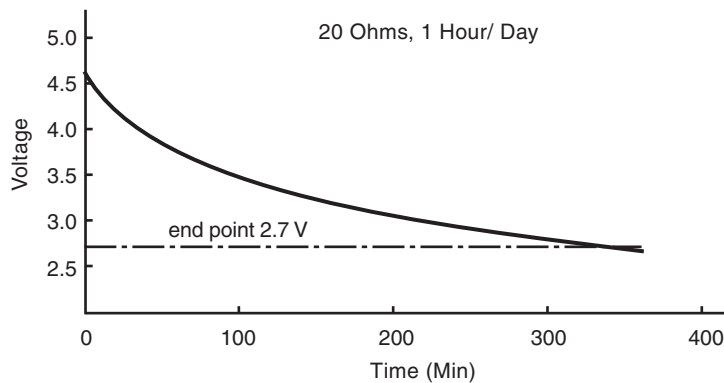
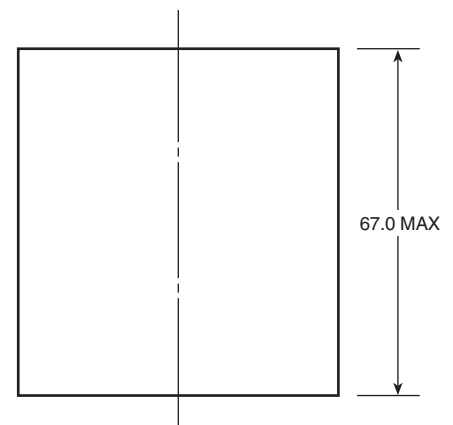
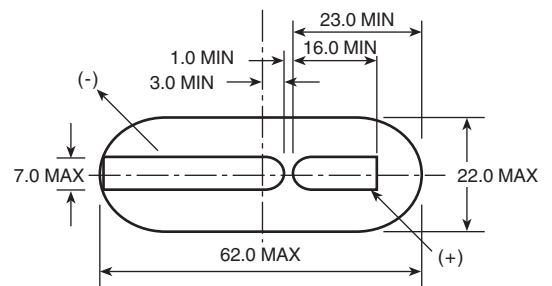
Other Details:

- Mercury Free Zinc Chloride chemistry
- Average weight: 115g

- **GP Green Carbon Zinc Battery**
- **4.5 Volts**

Typical Service Life:

Discharge Resistance	Discharge Condition	End Point Voltage	Service Life
220 ohms	4 Hrs/Day	2.7V	108 Hrs
20 ohms	1 Hr/Day	2.7V	370 Mins



Unit : mm