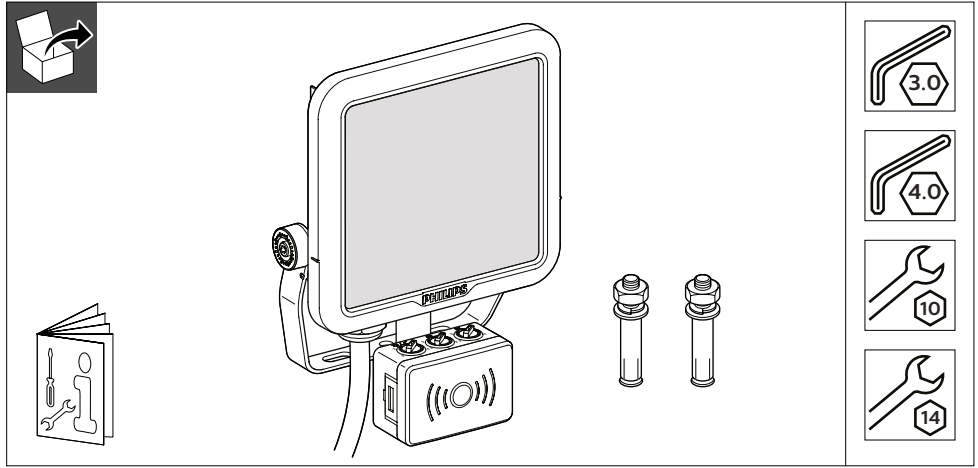


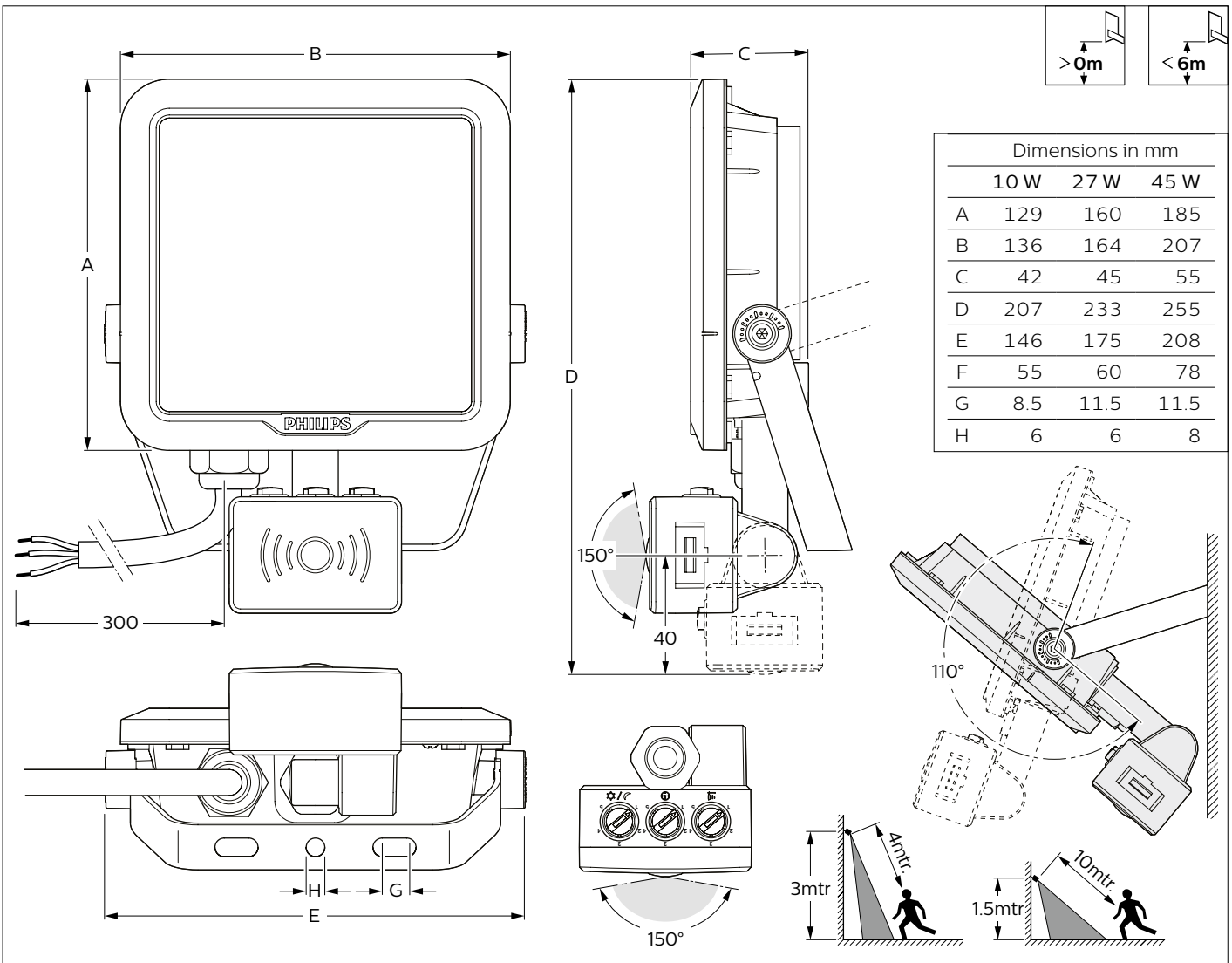
# PHILIPS

## Ledinaire Floodlight Mini

BVP105



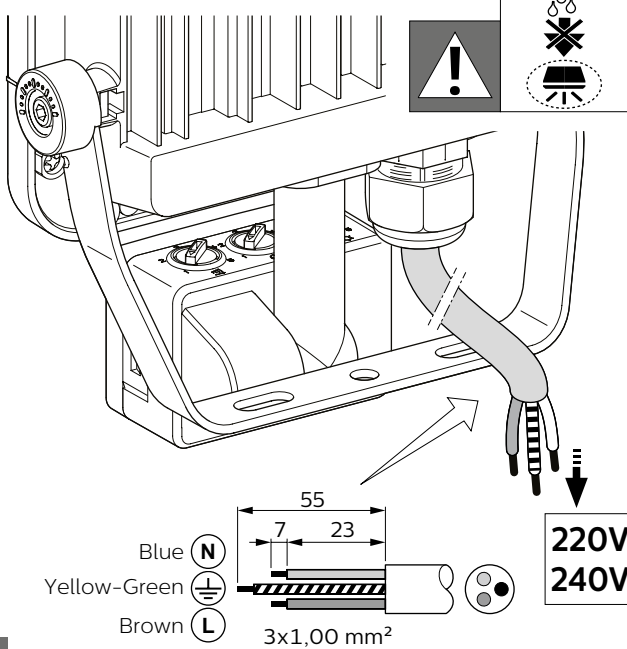
|                                   | Flux (lm) | Power (W) | Beam      | m <sup>2</sup> | kg   |
|-----------------------------------|-----------|-----------|-----------|----------------|------|
| BVP105 LED9 / 840 PSU VWB100 MDU  | 900       | 10        |           | 0.02           | 0.56 |
| BVP105 LED25 / 840 PSU VWB100 MDU | 2500      | 27        | Symmetric | 0.03           | 0.86 |
| BVP105 LED45 / 840 PSU VWB100 MDU | 4500      | 45        |           | 0.04           | 1.30 |





Install the luminaire according to the national regulations.

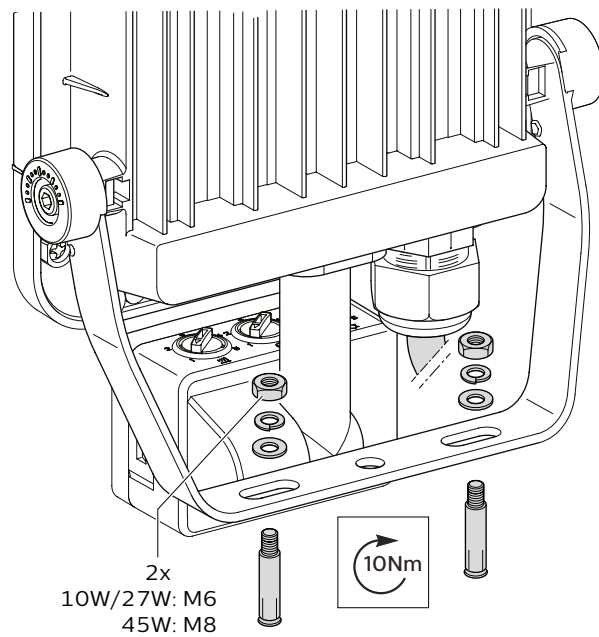
It is recommended to use a supply box with a minimum IP65/67 waterproof, and 3P terminal, the terminal is at least rated voltage 250V.



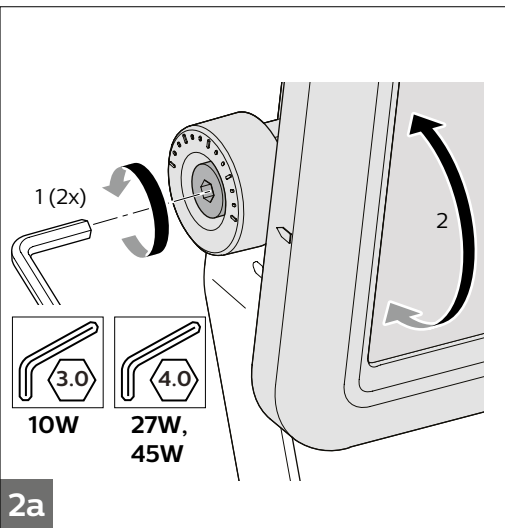
1a



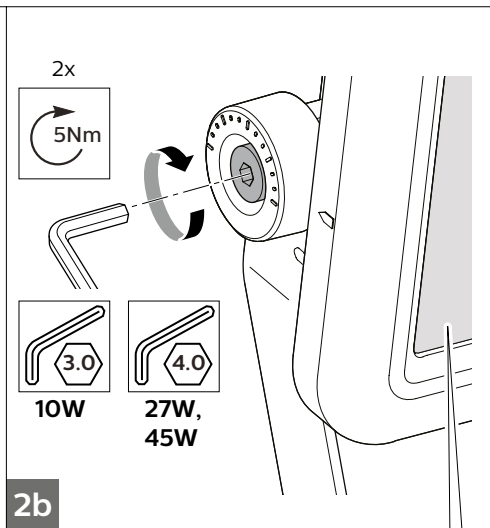
If the luminaire is higher >3 m, the use of 2nd fixing security system is needed.



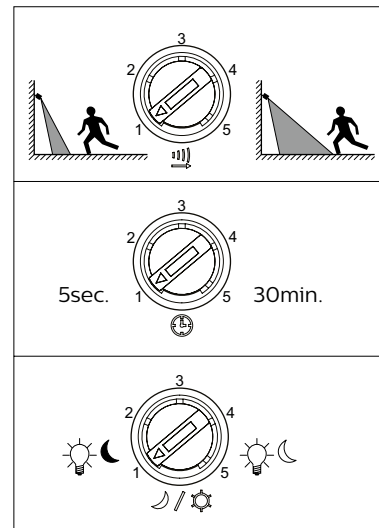
1b



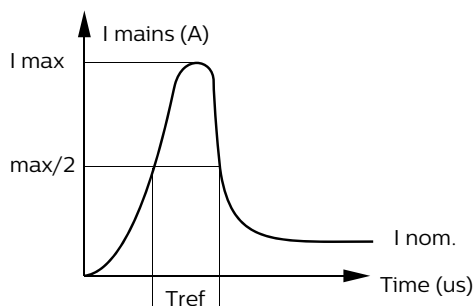
2a



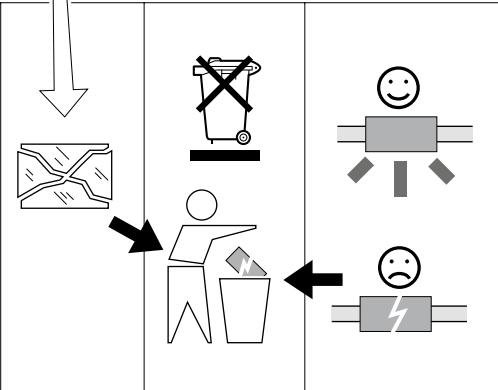
2b



**Inrush current**



|                            | 10W  | 27W  | 45W  |
|----------------------------|------|------|------|
| Electrical characteristics |      |      |      |
| I <sub>max</sub> (A)       | 0.13 | 0.38 | 0.64 |
| T <sub>ref</sub> (μs)      | 1000 | 1000 | 1000 |
| MCB Floodlight Max.        |      |      |      |
| B-10 A                     | 40   | 30   | 20   |
| B-16 A                     | 50   | 40   | 30   |
| C-10 A                     | 40   | 30   | 20   |
| C-16 A                     | 50   | 40   | 30   |



- The luminaire shall be installed or maintained by a qualified electrician and wired in accordance with the latest IEE electrical regulations or the national requirements.
- If the external flexible cable or cord of this luminaire is damaged, it shall be exclusively replaced by the manufacturer or his service agent or a similar qualified person in order to avoid a hazard.
- The light source of this luminaire is not replaceable; when the light source reaches its end of life the whole luminaire shall be replaced.