

Threaded Rod

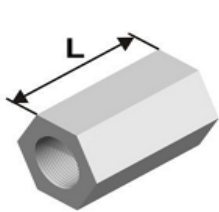

Model Number	Length (L) (mm)	Diameter (D) (mm)	Weight kg/pcs	Order Code (EG)
TM8 50	500	M8	0,150	4400 00 050 08 7
TM8 100	1000	M8	0,300	4400 00 100 08 7
TM8 200	2000	M8	0,600	4400 00 200 08 7
TM10 50	500	M10	0,240	4400 00 050 10 7
TM10 100	1000	M10	0,480	4400 00 100 10 7
TM10 200	2000	M10	0,960	4400 00 200 10 7
TM12 50	500	M12	0,340	4400 00 050 12 7
TM12 100	1000	M12	0,680	4400 00 100 12 7
TM12 200	2000	M12	0,1,36	4400 00 200 12 7

*TS 149 ELECTRO GALVANISED

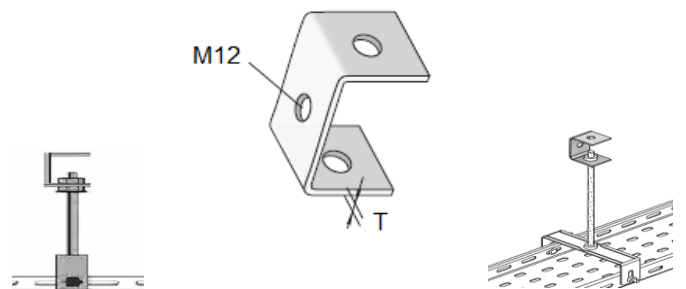
EG	DAC	EPOXY	AISI 304	AISI 316
+	+		+	+

Threaded Rod couplers and head plates

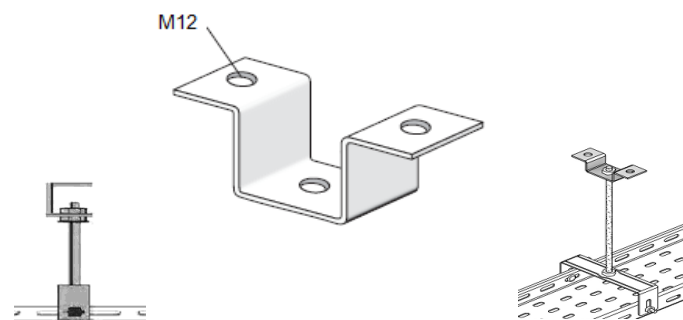
Model Number	Diameter (D) (mm)	Weight kg/pcs	Order Code (EG)
TUS M8	M8	0,02	4410 00 025 08 7
TUS M10	M10	0,03	4410 00 030 10 7
TUS M12	M12	0,04	4410 00 035 12 7



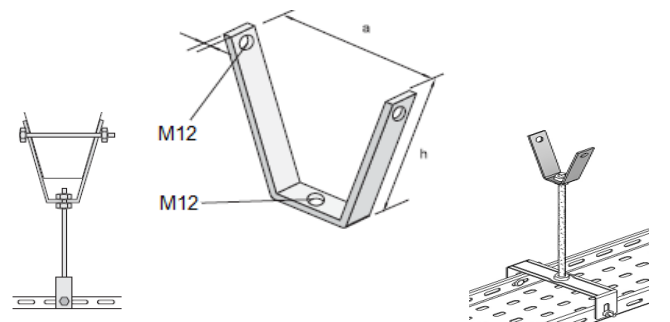
Model Number	Thickness (T) (mm)	Weight kg/pcs	Order Code (PG)
TT 01	3	0,11	4421 01 000 30 1



Model Number	Thickness (T) (mm)	Weight kg/pcs	Order Code (PG)
TT 02	3	0,15	4422 01 000 30 1

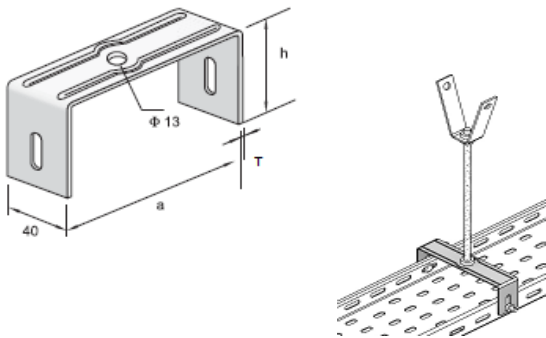


Model Number	Thickness (T) (mm)	Weight kg/pcs	Order Code (PG)
TT 03	3	0,17	4423 01 000 30 1



*EN ISO 10327 (TS 822) PREGALVANISED

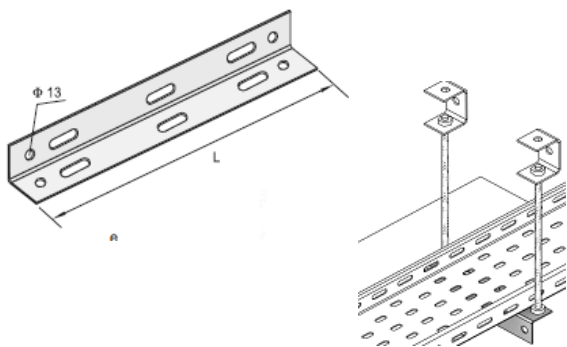
PG	HDG	EPOXY	AISI 304	AISI 316
+	+	+	+	+

Tray Carriers


Model Number	Length (L) (mm)	Thickness (T) (mm)	Weight kg/pcs	Order Code (PG)
TK1 50	55	1,50	0,100	4431 60 055 15 1
TK1 100	105	1,50	0,135	4431 60 105 15 1
TK1 160	165	1,50	0,175	4431 60 165 15 1
TK1 200	205	2,00	0,200	4431 60 205 20 1
TK1 300	305	2,00	0,386	4431 60 305 20 1
TK1 400	405	2,00	0,490	4431 60 405 20 1

*EN ISO 10327 (TS 822) PREGALVANISED

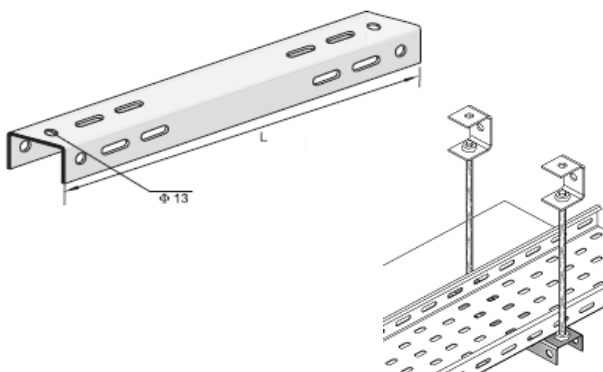
PG	HDG	EPOXY	AISI 304	AISI 316
+	+	+	+	+

Tray Carriers


Model Number	Length (L) (mm)	Thickness (T) (mm)	Weight kg/pcs	Order Code (PG)
TK2 160	220	1,50	0,215	4432 40 220 15 1
TK2 200	260	1,50	0,254	4432 40 260 15 1
TK2 300	360	1,50	0,352	4432 40 360 15 1
TK2 400	460	1,50	0,450	4432 40 460 15 1
TK2 500	560	1,50	0,547	4432 40 560 15 1
TK2 600	660	1,50	0,645	4432 40 660 15 1

*EN ISO 10327 (TS 822) PREGALVANISED

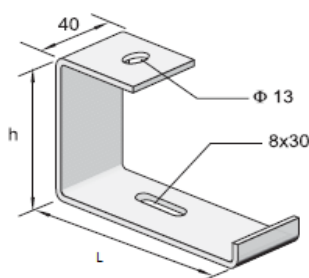
PG	HDG	EPOXY	AISI 304	AISI 316
+	+	+	+	+

Tray Carriers


Model Number	Length (L) (mm)	Thickness (T) (mm)	Weight kg/pcs	Order Code (PG)
TK3 160	220	2,00	0,366	4433 30 220 20 1
TK3 200	260	2,00	0,433	4433 30 260 20 1
TK3 300	360	2,00	0,599	4433 30 360 20 1
TK3 400	460	2,00	0,766	4433 30 460 20 1
TK3 500	560	2,00	0,932	4433 30 560 20 1
TK3 600	660	2,00	1,098	4433 30 660 20 1

*EN ISO 10327 (TS 822) PREGALVANISED

PG	HDG	EPOXY	AISI 304	AISI 316
+	+	+	+	+

Tray Carriers


Model Number	Length (L) (mm)	Thickness (T) (mm)	Weight kg/pcs	Order Code (PG)
TK5 50	60	3,00	0,188	4435 10 060 30 7
TK5 100	110	3,00	0,235	4435 10 110 30 7
TK5 160	170	3,00	0,292	4435 10 170 30 7
TK5 200	210	3,00	0,320	4435 10 210 30 7

*EN ISO 10327 (TS 822) PREGALVANISED

PG	HDG	EPOXY	AISI 304	AISI 316
+	+	+	+	+