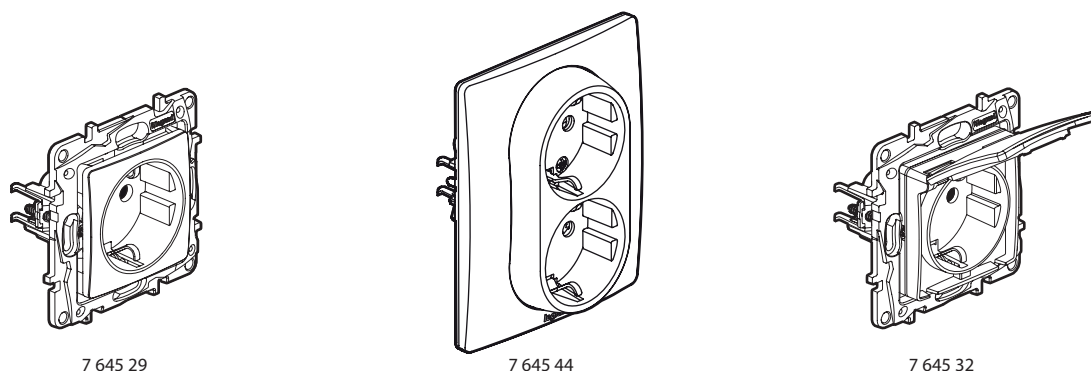


## Niloé™ Socket outlets - German Standard

Cat. No(s): **7 645 29/32/34/39/44**  
**7 646 29/32/34/39/44**



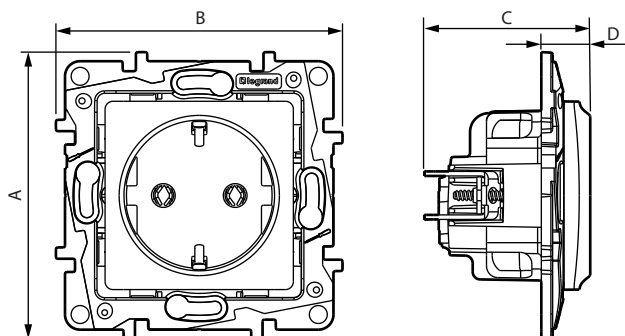
### 1. USE

Socket outlets with or without shutters.  
 Flush-mounting or surface-mounting.  
 Screw or claw fixing.

### 2. RANGE

SOCKET OUTLETS WITH SHUTTERS	White	Ivory
2 P+E socket Supplied with cover plate and support frame To be equipped with plate	7 645 29	7 646 29
2 P+E socket outlet with flap cover Supplied with cover plate and support frame To be equipped with plate	7 645 32	7 646 32
2 x 2 P+E compact socket outlet Installation in 1-gang flush-mounting box Supplied complete with plate Allows you to replace 1 socket with 2 sockets without changing the flush-mounting box	7 645 44	7 646 44
SOCKET OUTLETS WITHOUT SHUTTERS	White	Ivory
2 x 2 P+E compact socket outlet Installation in 1-gang flush-mounting box Supplied complete with plate Allows you to replace 1 socket with 2 sockets without changing the flush-mounting box	7 645 34	7 646 34
2 P+E socket Supplied with cover plate and support frame To be equipped with plate	7 645 39	7 646 39

### 3. DIMENSIONS (mm)



### 3. DIMENSIONS (mm)

References	A	B	C	D
7 645 29 - 7 646 29	76	76	41	10
7 645 32 - 7 646 32	76	76	49	18
7 645 34/44 - 7 646 34/44	104	86	51.5	22.5
7 645 39 - 7 646 39	76	76	44.5	13.5

### 4. CONNECTION

Type of terminals: with screws  
 Terminal capacity: 2 x 2.5 mm<sup>2</sup>  
 Stripping length : - 9 mm for 2 P and 2 P+E socket outlets  
 - 13 mm for double socket outlets 2 x 2 P+E  
 Screwdriver: Posidrive 1, Philips 1, flat 4 mm.

### 5. TECHNICAL CHARACTERISTICS

■ **5.1 Mechanical characteristics**  
 Protection against solid bodies and liquids: IP 31  
 Protection against impact: IK 04

■ **5.2 Material characteristics**  
 Polyglass appearance  
 Colour: - White RAL 9003  
 - Ivory RAL 1013

Material: - Plate and flap: ABS  
 - Socket cover plate: PC  
 - Halogen free  
 - UV resistant

Material of the support: - PC grey RAL 7037 + 10 % glass fiber  
 - Halogen free

Self-extinguishing:  
 + 850° C / 30 s for insulating parts holding live parts in place  
 + 650° C / 30 s for other parts made of insulating materials.

■ **5.3 Electrical characteristics**  
 Voltage: 250 V~  
 Current: 16 A  
 Frequency: 50/60 Hz

■ **5.4 Climatic characteristics**  
 Storage temperature: - 10° C to + 70° C  
 Use temperature: - 5° C to + 35° C

## 6. MAINTENANCE

Surface cleaning with a cloth.

Do not use: acetone, tar remover, trichloroethylene.

Maintenance with the following products: Hexane (EN 60669-1), Methylated spirit, Soapy water, Diluted ammonia, Bleach diluted to 10%, Window-cleaning products.

**Caution:** A preliminary test should be carried out if other specific cleaning products are to be used.

## 7. STANDARDS AND APPROVALS

Compliance with standards of installation and manufacturing.

Refer to e. catalogue.