


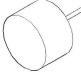
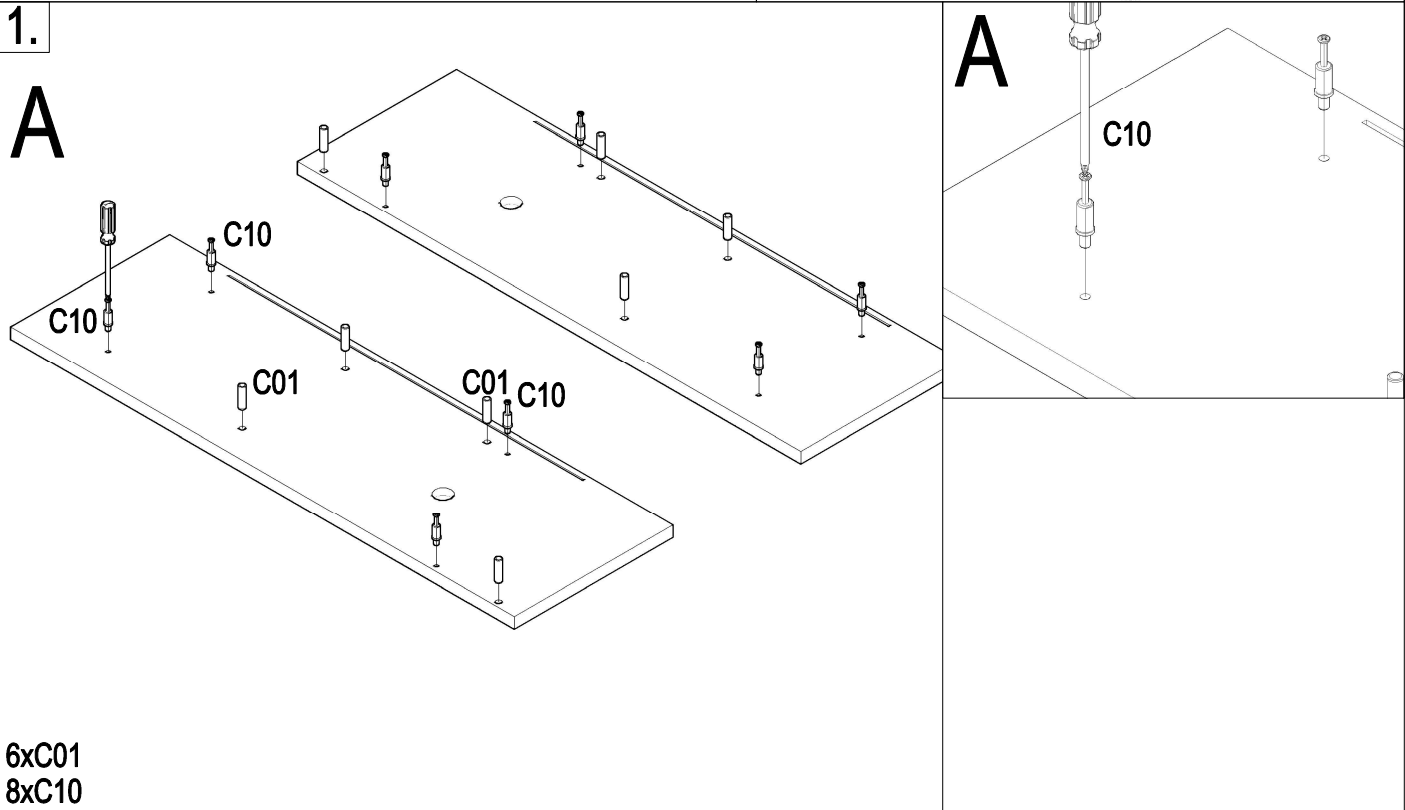
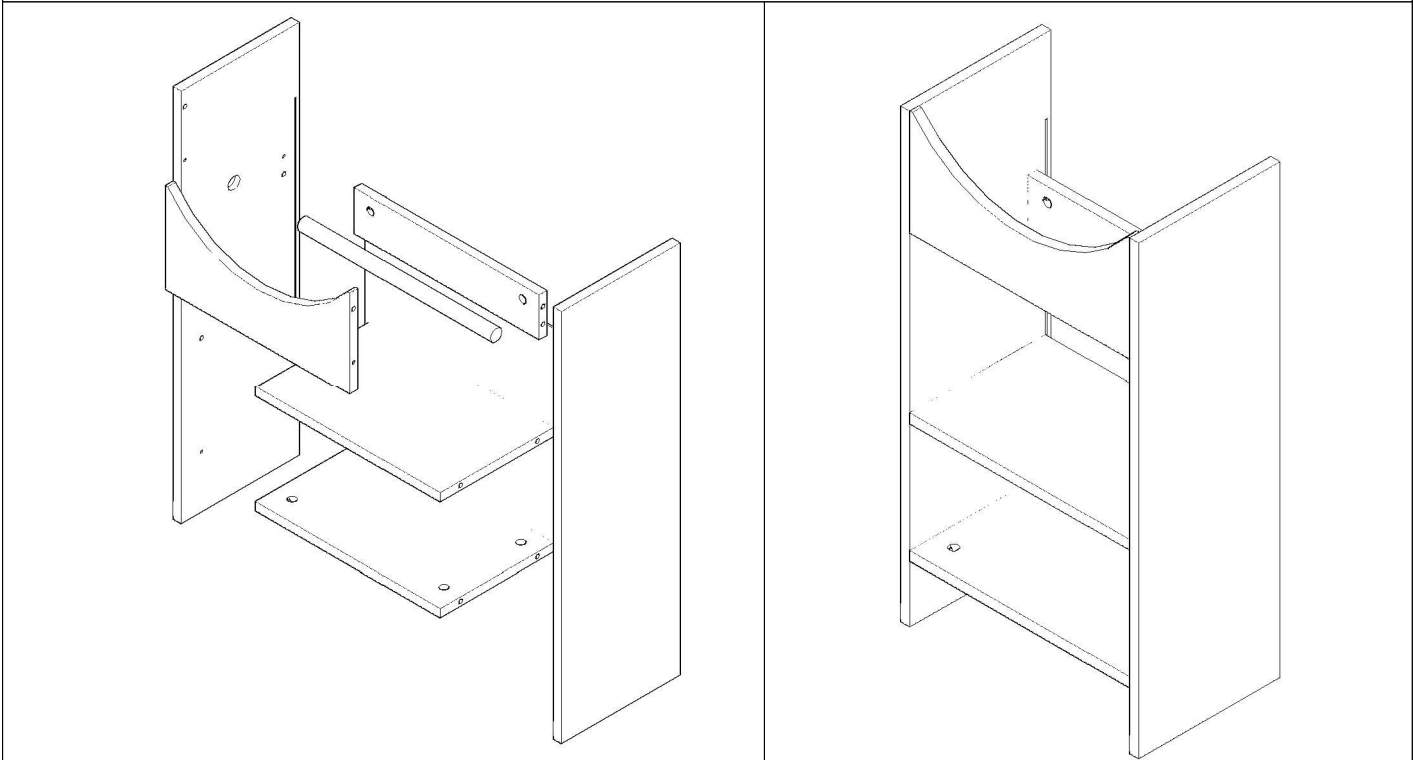
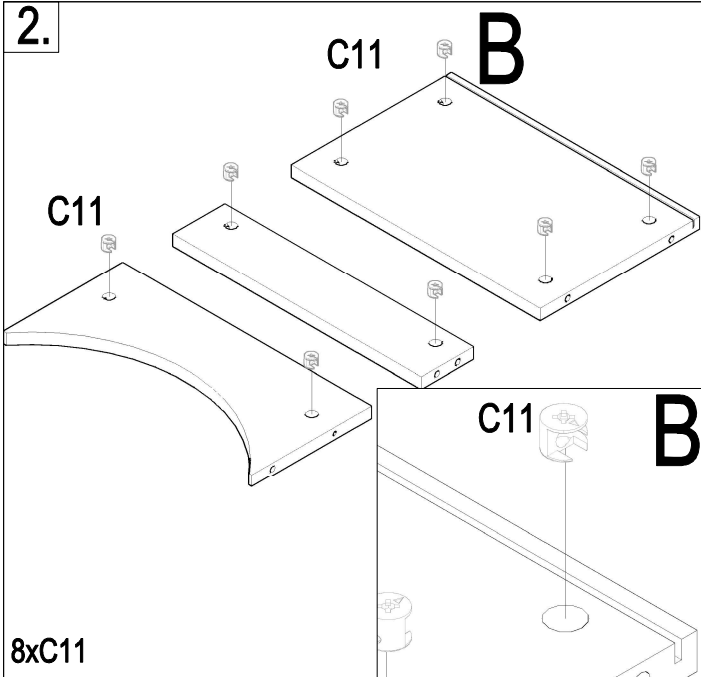


NR.20

 C10 x8	 C11 x8	 C01 x6	 P01 x4
---	---	---	---

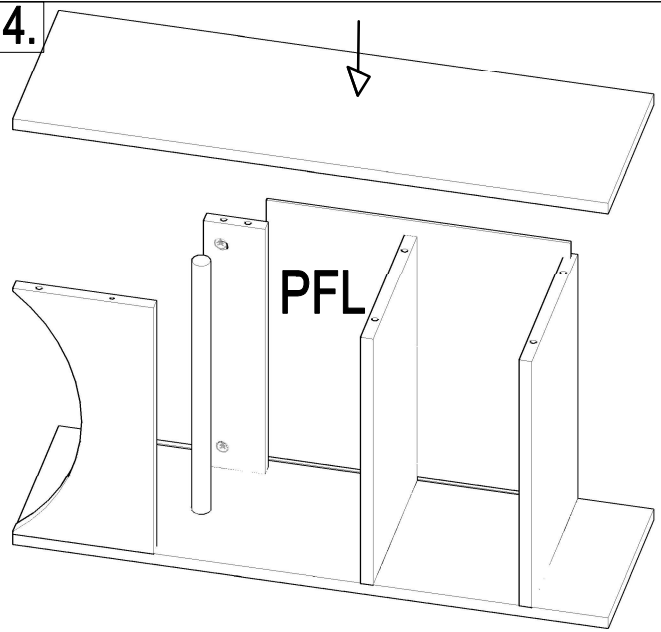


2.

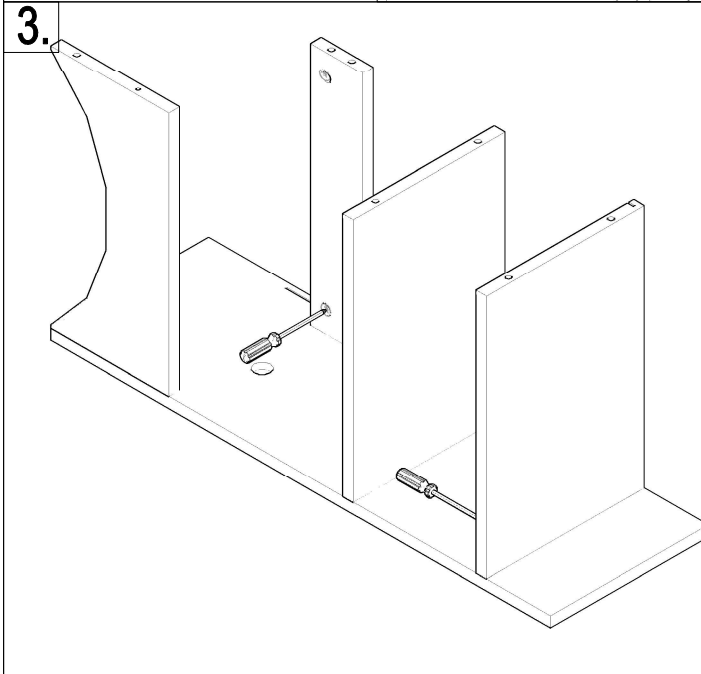


8xC11

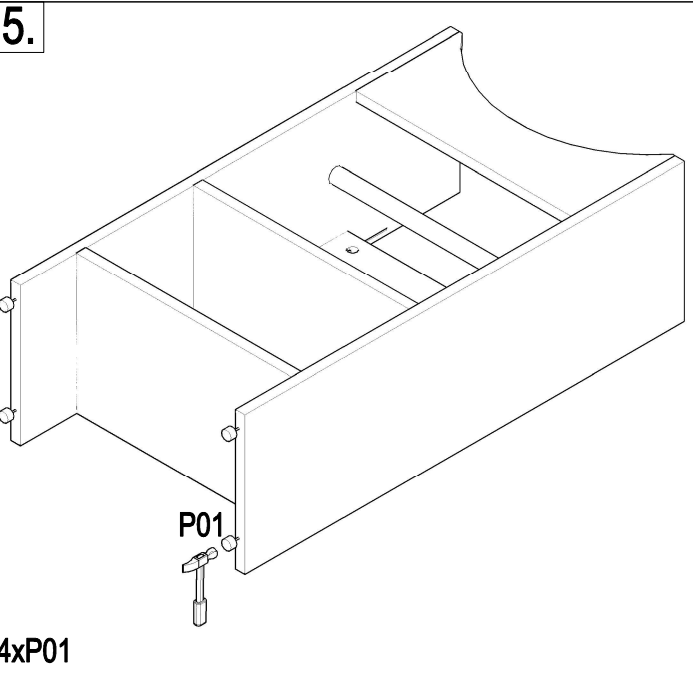
4.



3.



5.



4xP01