

7 21X 92

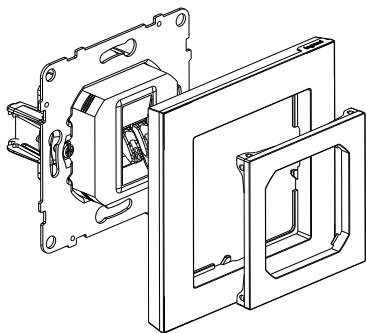
1. USE

For connecting a loud-speaker.

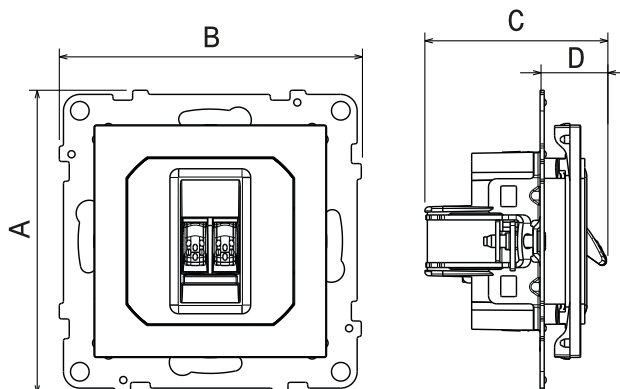
2. RANGE

Description	White	Ivory	Aluminum	Black
LOUDSPEAKER SOCKET	7 211 92	7 212 92	7 213 92	7 214 92

3. DISMANTLING



4. DIMENSIONS (mm)



References	A	B	C	D
7 21X 02/12	72,9	72,9	43,8	16,1

5. CONNECTION

Screw terminals

Capacity:
2 x 6 mm²

Stripping length:
6 mm

Recommended cable: audio cable 2 x 6 mm² max.

6. TECHNICAL CHARACTERISTICS

■ 6.1 Mechanical characteristics

Protection against solid bodies and liquids: IP 41
Protection against impact: IK 04

■ 6.2 Material characteristics

Colour molded:

- White RAL 9003
- Ivory RAL 1013

Matt colour painted:

- Aluminum RAL 9023
- Black RAL 9017

Material:

- Base: Polycarbonate
- Cover: ABS white (RAL 9003) or mat black

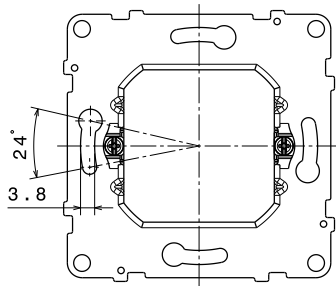
Self-extinguishing: 650°C/30 s

■ 6.3 Climate characteristics

Usage temperature: - 5°C to + 35°C
Storage temperature: - 10°C to + 70°C

■ 6.4 Support

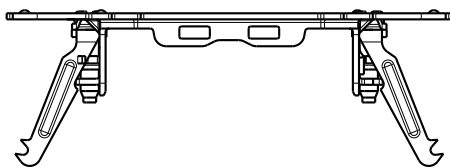
Material of support: -Metal
Angular adjusting:



■ 6.5 Fixing with claws

Number of turns to open the claws:

- 58 mm > 2,1 turns
- 65 mm > 2,75 turns



7. MAINTENANCE

Surface cleaning with a cloth.

Do not use:

Acetone, tar remover, trichloroethylene.

Maintenance with the following products:

Hexane (EN 60669-1), Methylated spirit, Soapy water, Diluted ammonia, Bleach diluted to 10%, Window-cleaning products, Pre-impregnated-wipes.

Resistance to hospital-type cleaning agents

Resistance to the following agents: Anios, Surfanios, Bactylsine, Diluted hydrogen peroxide (35%)

Caution: Always test before using other special cleaning products.

8. STANDARDS AND APPROVALS

Compliant with installation and manufacturing standards.

See e-catalogue.