





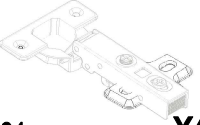
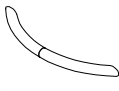
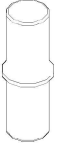
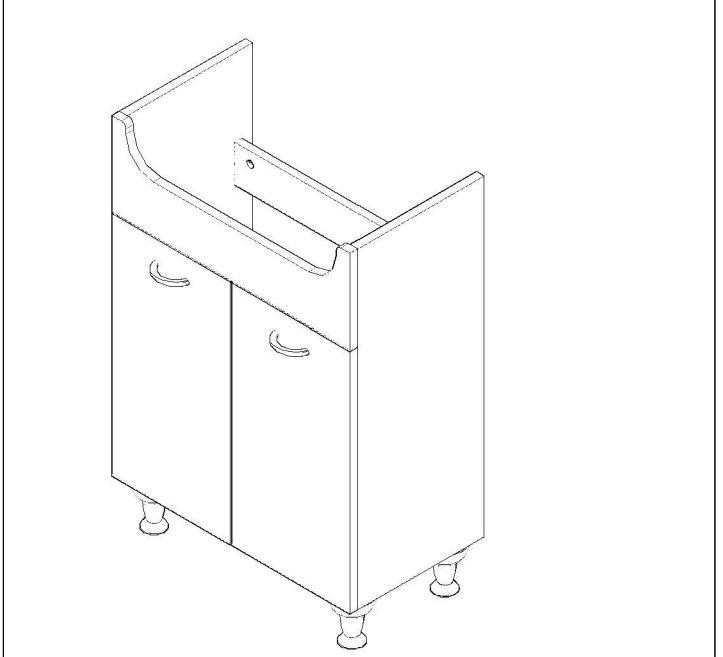
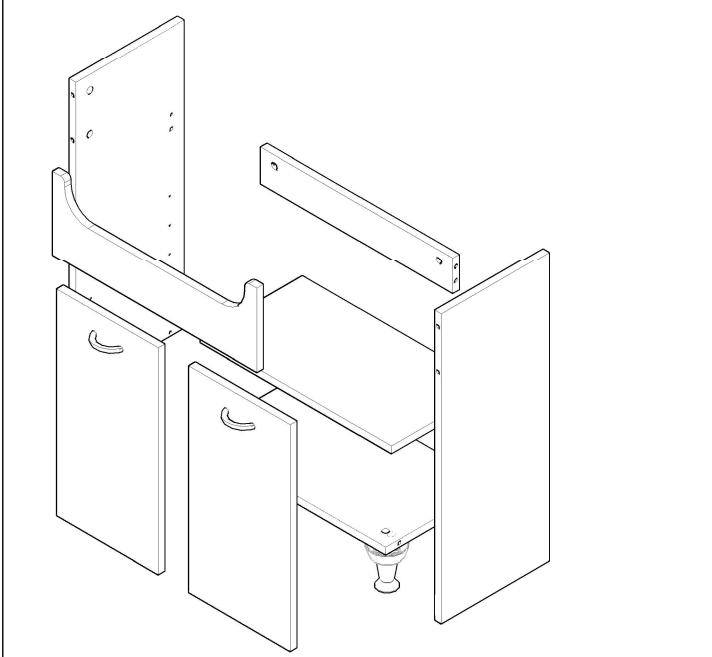
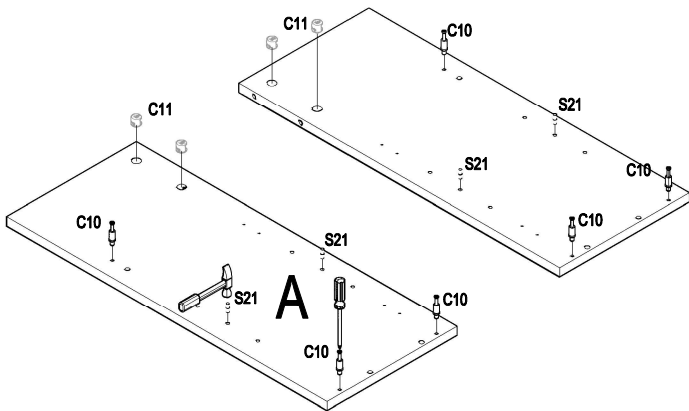


NR.23

<p>3.5x16</p>  <p>S01 x32</p>	<p>M4x22</p>  <p>S11 x4</p>	 <p>C01 x6</p>	 <p>C10 x10</p>	 <p>C11 x10</p>	 <p>P01 x4</p>
 <p>B01 x4</p>	 <p>M01 x2</p>	 <p>S21 x4</p>			

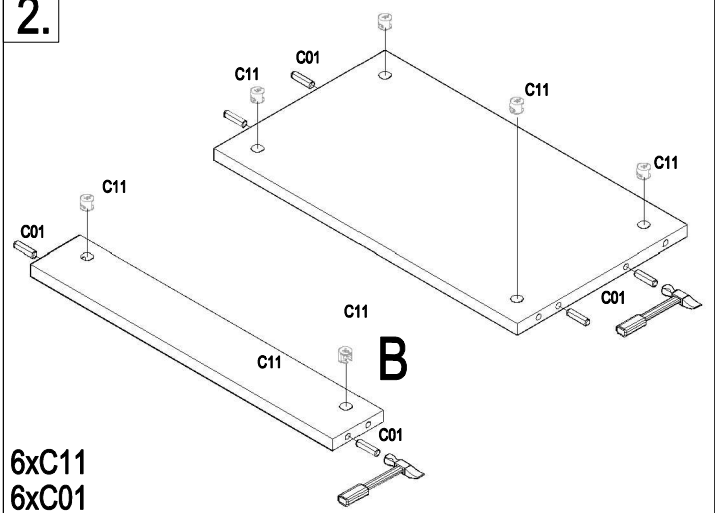


1.

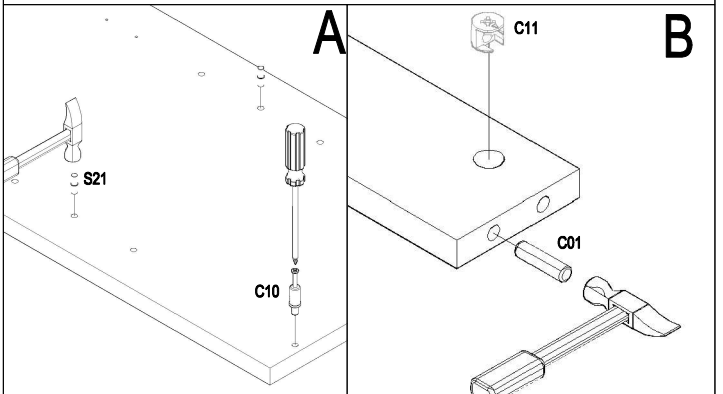


4xS21
4xC11
6xC10

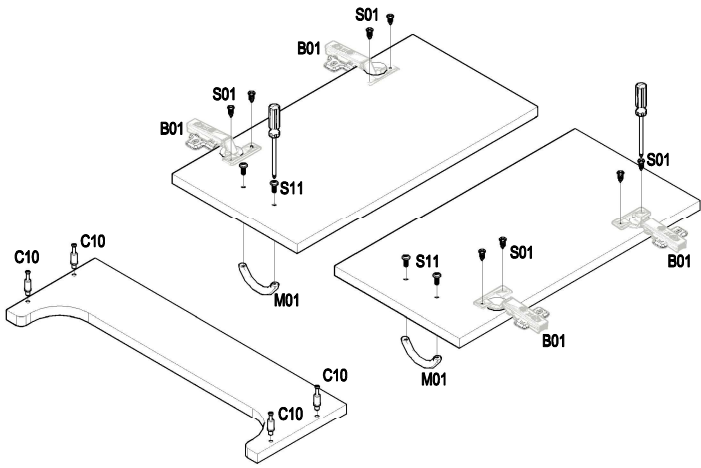
2.



6xC11
6xC01

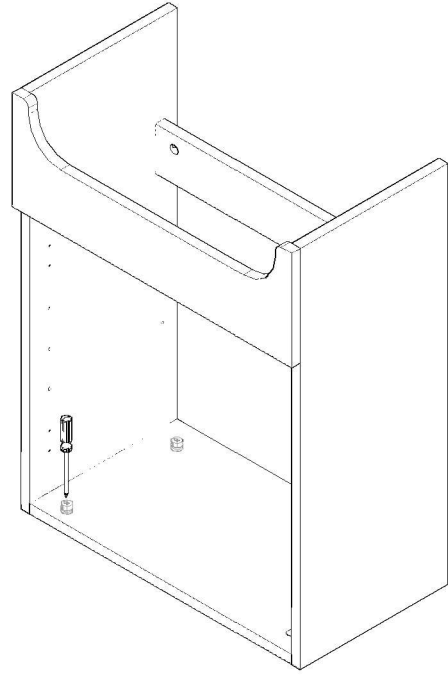


3.

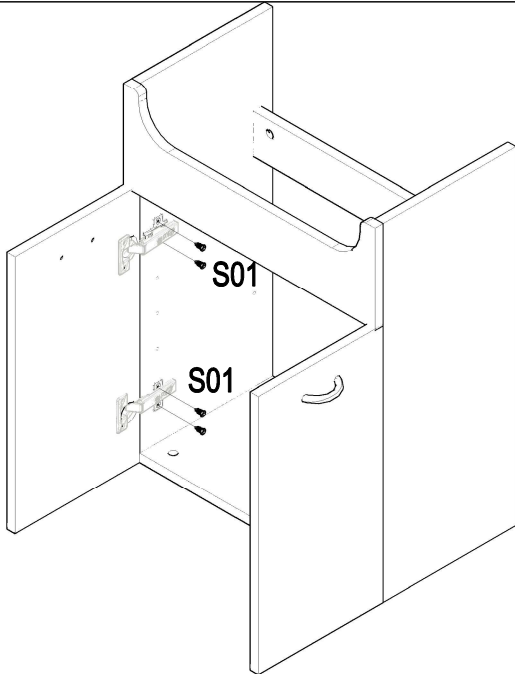


2xM01
 4xS11
 8xS01
 4xC10

4.

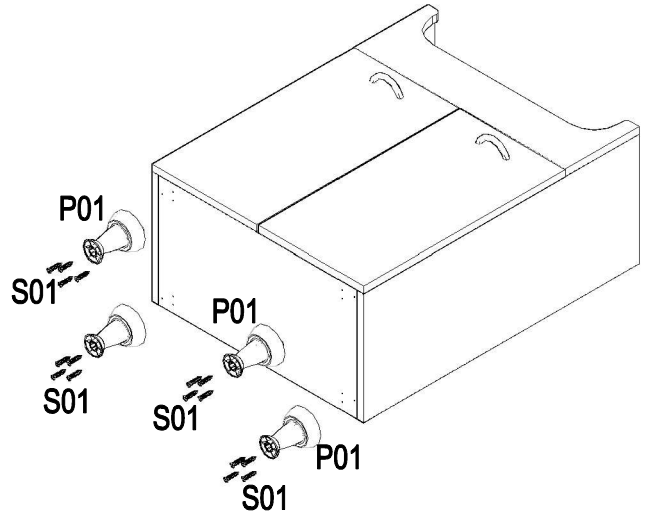


5.



8xS01

6.



4xP01
 16xS01