

Technical data sheet Profiles LP

LP corner bead for creating and protecting corners in drywall construction

Material:

- Hard aluminium

Features:

- Minimizes time required for creating perfect corners
- Creates protection against corner damage
- Use with gypsum-based materials is only possible if ventilation is ensured during construction work and a following occurrence of humidity is eliminated
- Suitable for thin compounds and plasters
- Roughened version for higher torque stiffness and better plaster adhesion

Instructions for Use:

Before starting plastering work, use a spirit level to align the bead to correct position. Use a stapler to fix the bead into plasterboard structures and then trowel the whole section with an appropriate compound or plaster.

Packing, Storage, Transport:

Store in a dry place in horizontal position in such a way that beads sagging and deformations are prevented.

Certification and standards:

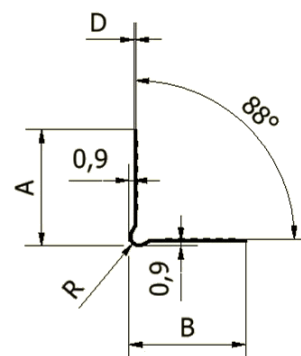
The products with aluminum sheet thickness < 0,4 mm are not subject to any harmonized standard. The products have been certified voluntarily in TZÚS Praha, s.p. (Technical and Test Institute for Construction Prague). The product has been given Certificate No 060-040966.



The products with aluminum sheet thickness $\geq 0,4$ mm are CE-marked against EN 14353 and a Declaration of Performance has been issued.

Technical Data:

Material	Hard aluminium
Sheet thickness D [mm]:	0,28 / 0,30 / 0,35 / 0,40
Length [mm]	2000 / 2500 / 3000
Arm width A x B [mm]	19x19 / 20x20 / 22x22 / 23x23 / 25x25
Fire reaction class	A1



EJOT Romania

Șos. Comercială nr. 21 A, DN 65 B, Com. Bradu, Sat Geamăna, Jud. Argeș, RO-117141

phone: +40 248 2238 – 86 / fax: +40 248 2238 - 84

e-mail: infoRO@ejot.com / Internet: <http://www.ejot.ro>