

## 40 CDI - PROTECTED DECORATIVE ENCLOSURES - IP40

### TECHNICAL CHARACTERISTICS

Standard: IEC EN 606070-1 (CEI 23-48); IEC EN 60670-24 (CEI 23-49) (\*)  
 Degree of protection: IP40 even with open door  
 Protection against indirect contact: double insulation - □ (+)  
 Installation temperature: max. +60°C; min. -15°C  
 Rated voltage: 400V  
 Rated insulation voltage: 750V  
 Rated current: 125A

Material: GW PLAST technopolymer, halogen-free in accordance with EN 60754-2 (CEI EN 50267-2-2)  
 Impact resistance: IK 08  
 Heat resistance: thermo-pressure with ball 70°C  
 Resistance to abnormal heat and fire: Glow wire test 650°C  
 Applications: for brickwork walls

(+) Complete insulation, in accordance with EN 61140 Standard.

Note: IP40 even with open door guaranteed thanks to flush-mounting wall installation, using devices of at least IP40 and the module masks supplied.

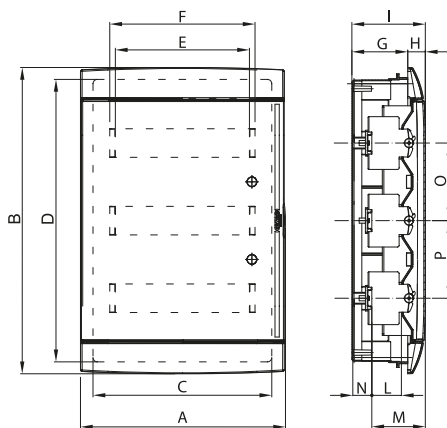
(\*) Enclosure type: GP (CEI 23-51) and PD

### BEHAVIOUR WITH CHEMICAL AND ATMOSPHERIC AGENTS

Saline solution	Acids		Bases		Solvents				Mineral oil	UV rays
	Concentrated	Diluted	Concentrated	Diluted	Hexane	Benzol	Acetone	Ethyl alcohol		
Resistant	Not resistant	Limited resistance	Not resistant	Limited resistance	Resistant	Not resistant	Not resistant	Limited resistance	Limited resistance	Limited resistance

### Dimension tables

#### ENCLOSURES



Mod.	Complete enclosure	Front cover	Overall dimensions				Modular assembly						Fixing			
			A	B	H	I	L	M	N	O	P	E	F	C	D	G
4M	GW 40 237 TB GW 40 287 TB GW 40 237 TN GW 40 237 VA GW 40 237 VT	GW 41 237 TB GW 41 237 TN GW 41 237 VT GW 41 237 VA	146	165	23	108	50	90	17	-	-	70	83	115	142	85
8M	GW 40 225 TB GW 40 285 TB GW 40 225 TN GW 40 225 VA GW 40 225 VT	GW 41 225 TB GW 41 225 TN GW 41 225 VT GW 41 225 VA	248	195	26	107	50	85	20	-	-	144	153	209	174	81
12M	GW 40 229 TB GW 40 229 TN GW 40 229 VA GW 40 229 VT GW 40 289 TB	GW 41 229 TB GW 41 229 TN GW 41 229 VT GW 41 229 VA	328	218	25	106	47	85	18	-	-	216	234	293	189	81
24M	GW 40 233 TB GW 40 233 TN GW 40 233 VA GW 40 233 VT GW 40 293 TB	GW 41 233 TB GW 41 233 TN GW 41 233 VT GW 41 233 VA	328	338	28	108	49	86	20	125	-	216	234	294	310	80
36M	GW 40 239 TB GW 40 239 TN GW 40 239 VA GW 40 239 VT GW 40 299 TB	GW 41 239 TB GW 41 239 TN GW 41 239 VT GW 41 239 VA	328	493	28	118	49	86	30	125	125	216	234	294	461	90

## 40 CDi - CHORUS ENCLOSURES - IP40

### TECHNICAL CHARACTERISTICS

Standard: IEC EN 60670-1 (CEI 23-48); IEC EN 60670-24 (CEI 23-49) (\*)

Degree of protection: IP40

Protection against indirect contact: double insulation - □ (•)

Installation temperature: max. +60°C; min. -15°C

Rated voltage: 400V

Rated insulation voltage: 750V

Rated current: 125A

Material: GW PLAST technopolymer, halogen-free in accordance with EN 60754-2 (CEI EN 50267-2-2)

Impact resistance: IK 08

Heat resistance: thermo-pressure with ball 70°C

Resistance to abnormal heat and fire: Glow wire test 650°C

Applications: for brickwork walls

(•) Complete insulation, in accordance with EN 61140 Standard.

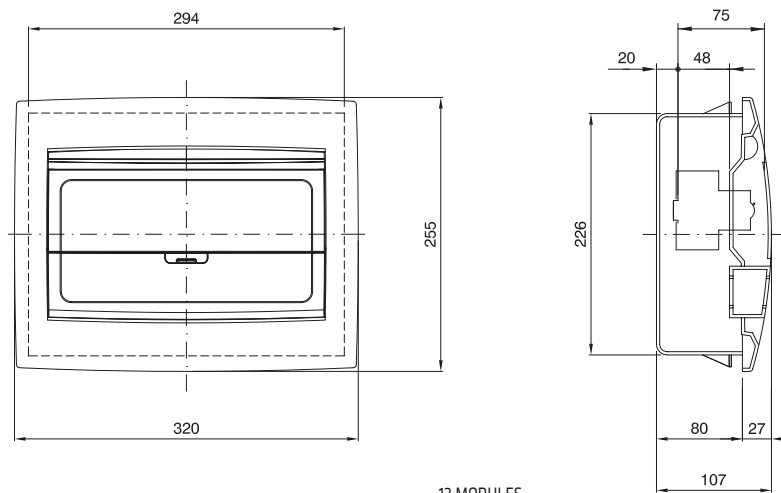
(\*) Enclosure type: GP (CEI 23-51) and PD

### BEHAVIOUR WITH CHEMICAL AND ATMOSPHERIC AGENTS

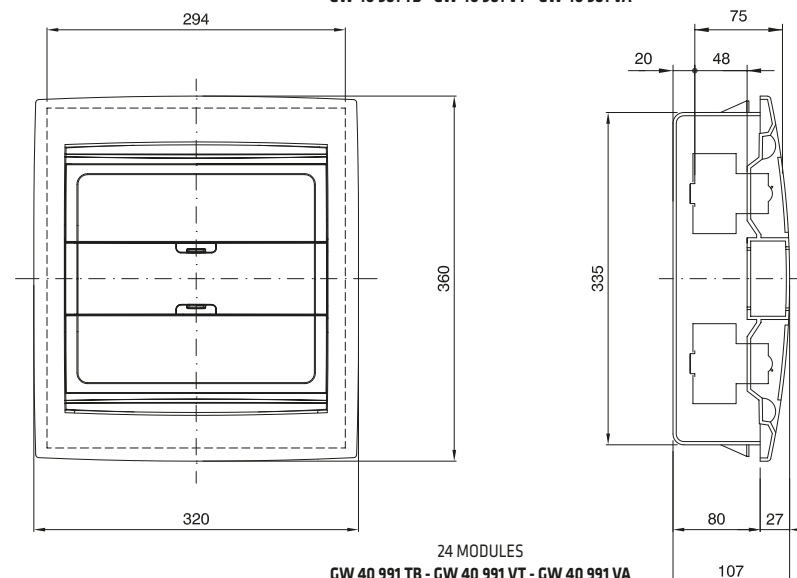
Saline solution	Acids		Bases		Solvents				Mineral oil	UV rays
	Concentrated	Diluted	Concentrated	Diluted	Hexane	Benzol	Acetone	Ethyl alcohol		
Resistant	Not resistant	Resistant	Resistant	Resistant	Resistant	Not resistant	Not resistant	Limited resistance	Limited resistance	Limited resistance

## Dimension tables

### UNWIRED CO-ORDINATED ENCLOSURES



12 MODULES  
GW 40 981 TB - GW 40 981 VT - GW 40 981 VA



24 MODULES  
GW 40 991 TB - GW 40 991 VT - GW 40 991 VA