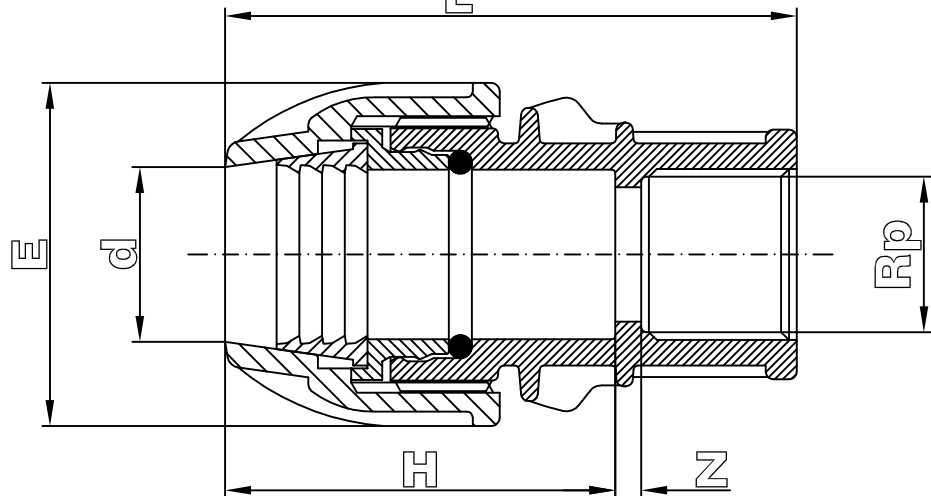


# MUFA RAPIDA PE FILET INTERIOR



The FILBO connecting joint is designed and manufactured in according to the international standard norms:

- ISO 3458
- ISO 3459
- ISO 3501
- ISO 3503
- ISO 14236
- DIN 8076-3
- KIWA BRLK 534-01
- UNI 9561
- UNI 9562

The connecting parts of the body with the PE pipes are designed in according to the international standard norms:


- ISO DIS 3607
- DIN 8072
- DIN 8074
- UNI 7611
- UNI 7990

Male and female threaded adaptors are designed in according to the international standard norms:

- ISO 7
- UNI ISO 7-1
- BS 21

dxRp	Z <sub>min.</sub>	H		L		E		g
		Tolerance		Tolerance		Tolerance		
20x1/2"	3	58	±3 mm	84	±3 mm	47	±0.3 mm	40
20x3/4"	3	58	±3 mm	84	±3 mm	47	±0.3 mm	45
25x1/2"	3	67	±3 mm	93	±3 mm	54	±0.3 mm	55
25x3/4"	3	67	±3 mm	93	±3 mm	54	±0.3 mm	60
25x1"	3	67	±3 mm	93	±3 mm	54	±0.3 mm	70
32x1/2"	3	77	±3 mm	103	±3 mm	66	±0.3 mm	85
32x3/4"	3	77	±3 mm	103	±3 mm	66	±0.3 mm	90
32x1"	3	77	±3 mm	103	±3 mm	66	±0.3 mm	100
40x1"	4	96	±5 mm	124	±5 mm	83	±0.5 mm	170
* 40x1"1/4	4	96	±5 mm	124	±5 mm	83	±0.5 mm	190
* 40x1"1/2	4	96	±5 mm	124	±5 mm	83	±0.5 mm	200
* 50x1"1/4	5	110	±5 mm	140	±5 mm	98	±0.5 mm	280
* 50x1"1/2	5	110	±5 mm	140	±5 mm	98	±0.5 mm	290
* 50x2"	5	110	±5 mm	144	±5 mm	98	±0.5 mm	320
* 63x1"1/2	6	124	±5 mm	155	±5 mm	116	±0.5 mm	440
* 63x2"	6	124	±5 mm	160	±5 mm	116	±0.5 mm	470

\* With AISI 430 Stainless Steel reinforcing ring.

 6, Tsar Ivan Shishman Str. Varna - Bulgaria		DENOMINAZIONE Female Adaptor Data Sheet.	
		FISA MUFA RAPIDA PE FI	
Designer		Raw Material	Drawing N°
SCALA //	Date 05.06.2007	Injection Machine	
			DSH 0005