

02.03.22

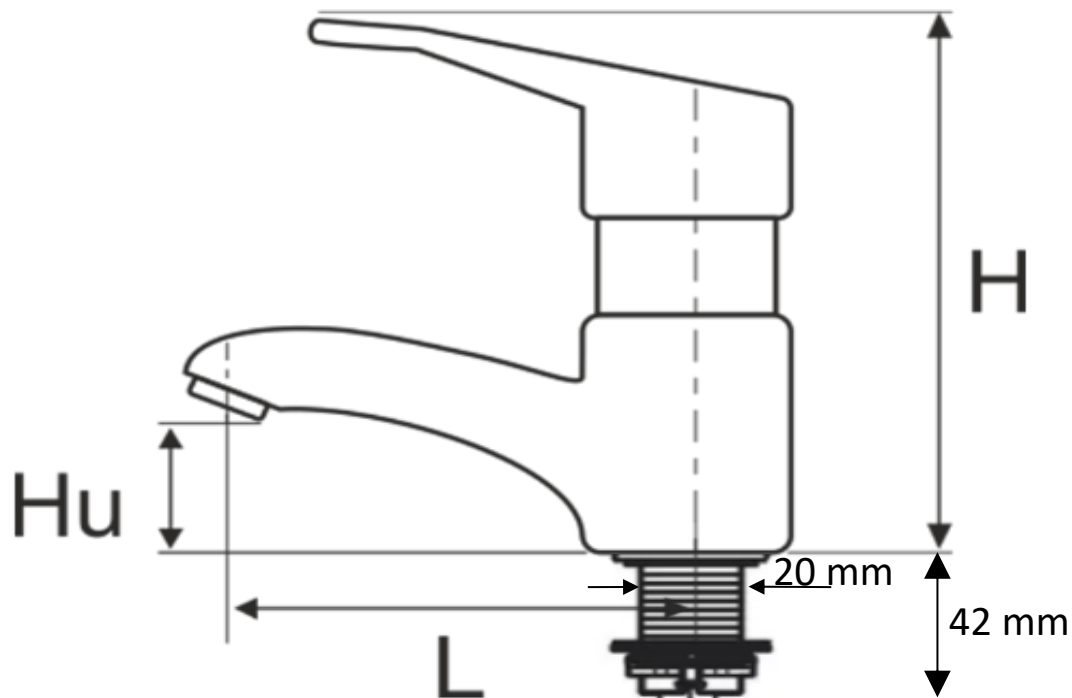
Technical Data Sheet

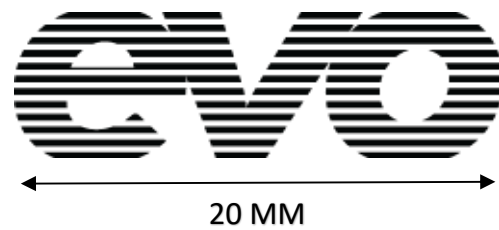
Stand Tap

Honest General Trading SRL
 CIF: RO 6615609
 Reg.Com: J40/25279/1994
 Head Office: Agricultori 121 street,
 Sector 3, Bucharest
 www.honest.ro



Code HGT	Product name RO	H[mm]	L[mm]	Ht[mm]	G[kg]	EAN code	Packing	Description	
					N.W.*			Main Material	Zamak
679486	Baterie apa Rece	95	110	42	0.191	5949094032526	1/10	Main Color	Silver
								Finishing	Polished
								Cartridge material	Ceramic
								Cartridge diameter	25 mm
								Plastic fixing nut;	
								Exposure mode	SBE
								Method of testing	Water pressure (must resist 10 bar)
								Warranty Certificate required	
								Individual packing	Carton box
								- N.W.*=net weight.	





Logo EVO must be laser engraved here

