

General characteristics

Modular surface-mounting containers for:

- Devices in the SYSTEM range
- Push-buttons Ø 22 of the 74 PS range
- Modular devices for DIN rail mounting

IP40 and IP55 versions for installation in ordinary environments or external locations. The possibility of placing several containers alongside each other horizontally and laterally makes it possible to create customised layouts that adapt in a versatile manner to a great number of different requirements. The range also includes complete devices and containers for gardens, in pole head and pole arm versions.

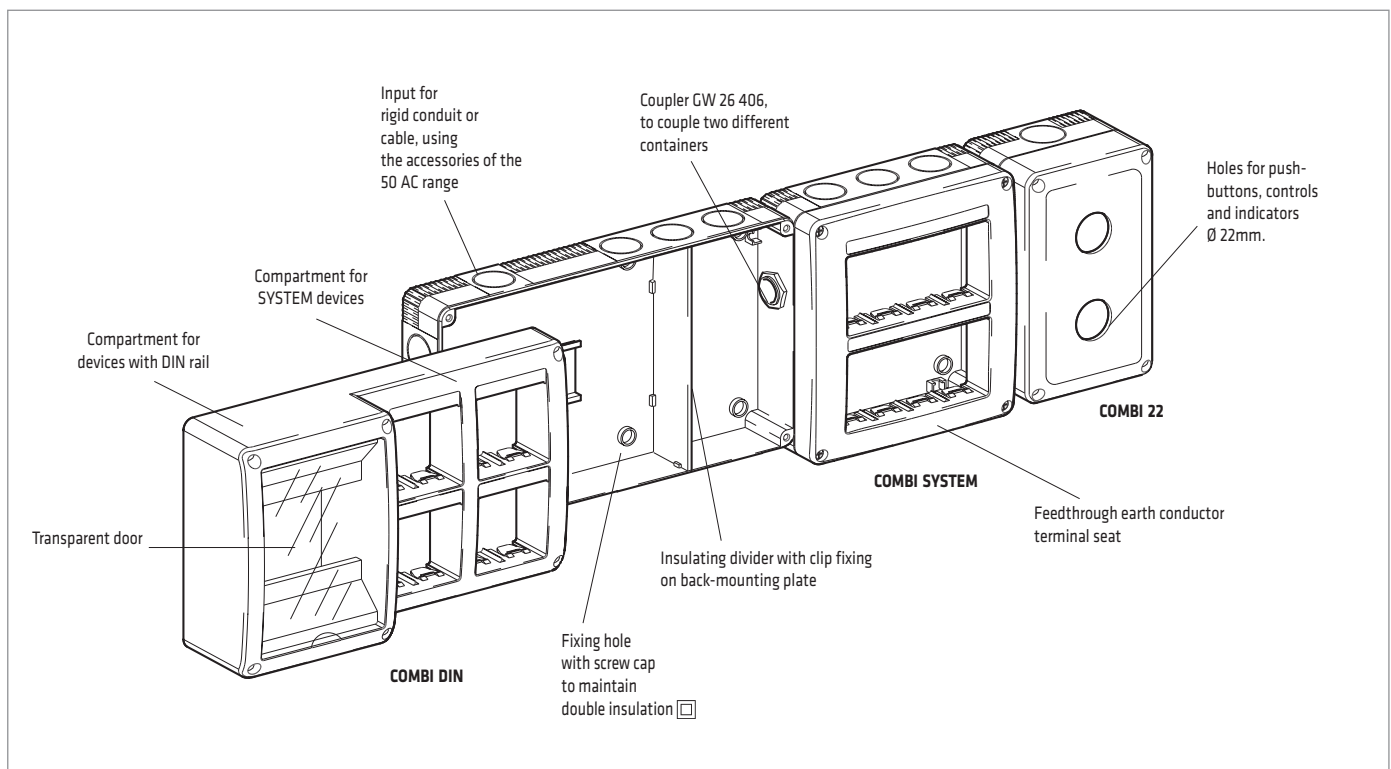
REFERENCE STANDARDS AND TECHNICAL DATA							
Products	Reference Standards	IP degree of protection	Protection against indirect contacts	Installation temperature		Thermo-pressure with ball	Glow wire test
				Minimum	Maximum		
COMBI SYSTEM containers	EN60670-1	IP40 - IP55	☐	-25°C	+60°C	70°C	650°C
COMBI 22 containers	EN 60670-22	IP66	☐			70°C	650°C
Garden containers	EN 60670-1	IP55	☐			70°C	650°C
COMBI DIN containers	EN60670-1 EN 60670-24	IP40	☐			70°C	650°C

* The Standard references above refer to unwired shells.
The shells supplied complete with devices meet the respective product norms.

BEHAVIOUR WITH CHEMICAL AND ATMOSPHERIC AGENTS												
Agent	Water	Saline solution	Acids		Bases		Solvents				Mineral oil	UV rays
			Concentrated	Diluted	Concentrated	Diluted	Hexane	Benzol	Acetone	Ethyl alcohol		
Resistance*	Resistant	Resistant	Limited resistance	Resistant	Resistant	Resistant	Limited resistance	Not resistant	Not resistant	Not resistant	Limited resistance	Resistant






* The resistance values given are valid for an ambient temperature no higher than 40°C.

Construction characteristics



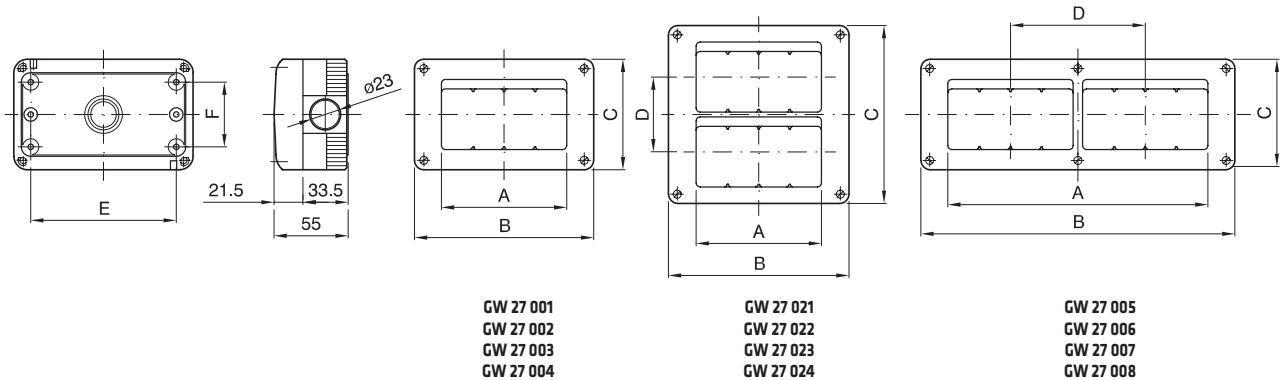
For technical information contact the Technical Assistance Service or visit gewiss.com

Fields of use

RECOMMENDED CONTAINERS							
Environment or zone (examples)	CEI Standard/ guidelines	Recommended IP rating	COMBI SYSTEM IP40	COMBI DIN IP40	COMBI SYSTEM IP55	COMBI 22 IP66	COMBI IN IP55
Domestic or similar rooms							
Undecorated rooms (e.g. cellars, basements, lofts)	64-8	IP40	•	•	•		
Technical rooms heating system (≤ 35 Kw)	64-8	IP44			•	•	•
Indoor garages and car parks (≤ 9 parking spaces)	64-8	IP40	•		•	•	•
Outdoor	68-8	IP44			•	•	•
Rooms with baths or showers	64-8 section 701	IP44			•		
Swimming pools (zone 1 and 2) - Fountains	64-8 section 702	IP55			•		•
Places with a higher risk in the event of fire	64-8 section 751	IP40	•	•	•		•
Industrial facilities							
Mechanical engineering industry	64-8	IP55			•	•	•
Plastics industry	64-8	IP55			•	•	•
Paper, wood, cellulose industry	64-8	IP40 - 44	•	•	•	•	•
Textiles industry	64-8	IP55			•	•	•
Food industry	64-8	IP55			•	•	•
Cement works	64-8	IP44			•	•	•
Public buildings							
Lecture halls	64-8 / 64-52	IP40	•	•	•		
Libraries and museums	64-8 / 64-52	IP40	•	•	•		
Administrative offices / facilities	64-8	IP40	•	•	•		
Retail outlets							
Warehouses, shopping malls, shops	64-8 / 64-51	IP40	•	•	•		•
Cafés, pubs	64-8 / 64-51	IP40	•	•	•		•
Laundries	64-8 / 64-51	IP55			•	•	•
Medical facilities							
Surgery	64-8 section 710/64-56	IP40	•		•		
Rooms for surgical operations and anaesthesia	64-8 section 710/64-56	IP44			•		

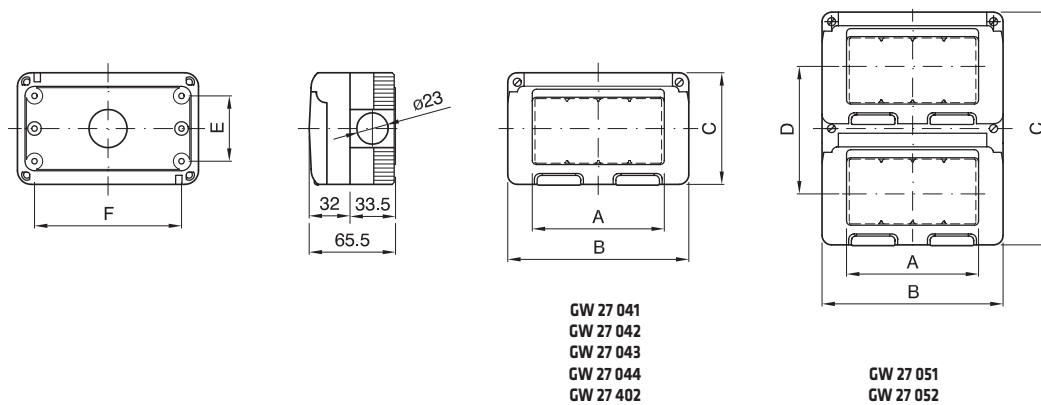
Dimension tables

COMBI SYSTEM 40



Code	GW 27 001	GW 27 002	GW 27 003	GW 27 004	GW 27 005	GW 27 006	GW 27 007	GW 27 008	GW 27 021	GW 27 022	GW 27 023	GW 27 024
A	1 SYSTEM MODULE	2 SYSTEM MODULES	3 SYSTEM MODULES	4 SYSTEM MODULES	6 (3 MOD. x 2) HORIZONTAL	8 (4 MOD. x 2) HORIZONTAL	12 (4 MOD. x 3) HORIZONTAL	16 (4 MOD. x 4) HORIZONTAL	4 (2 MOD. x 2) VERTICAL	6 (2 MOD. x 3) VERTICAL	8 (4 MOD. x 2) VERTICAL	12 (4 MOD. x 3) VERTICAL
B	66	66	99	132	198	231	330	429	82	82	132	132
C	82	82	82	82	82	82	82	82	132	198	132	198
D	-	-	-	-	1 STEP	1 STEP	2 STEPS	3 STEPS	1 STEP	2 STEPS	1 STEP	2 STEPS
E	44	44	75	110	175	208	307	406	48	48	110	110
F	48	48	48	48	48	48	48	48	110	175	98	175

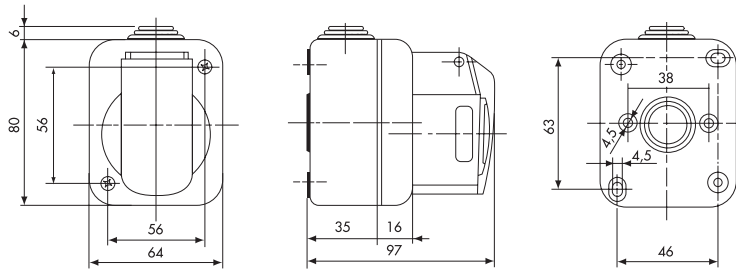
COMBI SYSTEM 55



Code	GW 27 041	GW 27 042	GW 27 043	GW 27 044	GW 27 051	GW 27 052	GW 27 402
A	1 SYSTEM MODULE	2 SYSTEM MODULE	3 SYSTEM MODULE	4 SYSTEM MODULE	8 (4 MOD. x 2) VERTICAL	12 (4 MOD. x 3) VERTICAL	JUNCTION BOX
B	66	66	99	132	132	132	132
C	82	82	82	82	170	258	82
D	-	-	-	-	1 STEP	2 STEPS	-
E	48	48	48	48	136	224	48
F	44	44	75	110	110	110	110

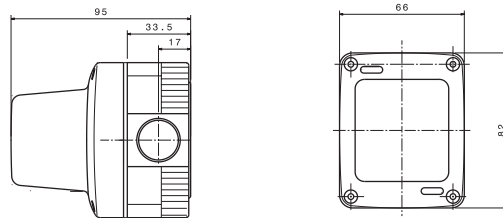
Complete devices

SURFACE-MOUNTING INDUSTRIAL SOCKET-OUTLETS TO IEC309 STANDARD - GREY RAL 7035 - IP44



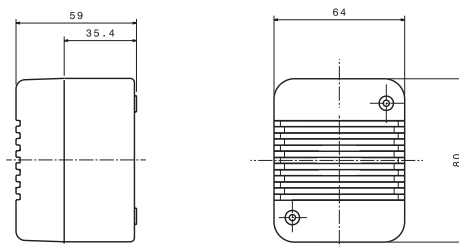
GW 26 222 - GW 26 223

INDICATOR LAMPS MAX 15W AND ELECTRONIC FLASHLIGHTS MAX 25W - GREY RAL 7035 - IP55



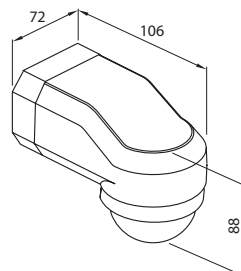
GW 27 415 - GW 27 416 - GW 27 417 - GW 27 418 - GW 27 419
GW 27 421 - GW 27 422 - GW 27 423 - GW 27 424

SIGNAL BUZZERS - GREY RAL7035 - IP40



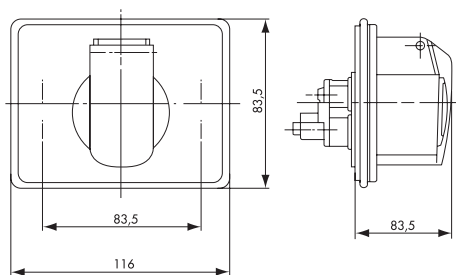
GW 26 417 - GW 26 427

DIRECTIONAL INFRARED MOVEMENT DETECTOR WITH TWILIGHT SENSOR 230V 50/60Hz- GREY RAL 7035 - IP55



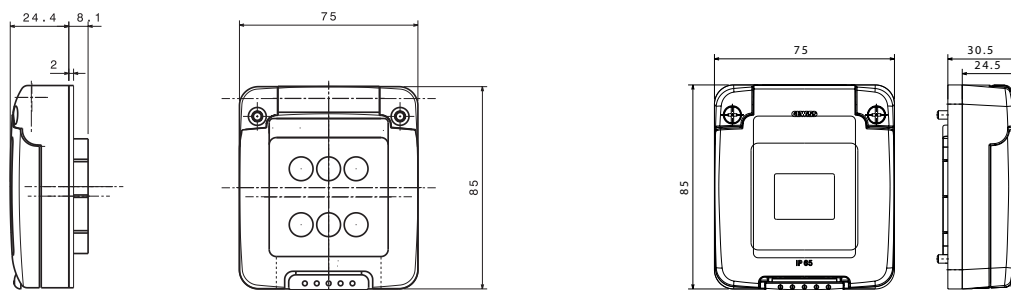
GW 27 431 B

**INDUSTRIAL SOCKET-OUTLETS TO IEC309 STANDARD, FOR INSTALLATION IN FLUSH-MOUNTING RECTANGULAR BOX
GW 24 403 - GREY RAL 7035 - IP44**



GW 26 420 - GW 26 421

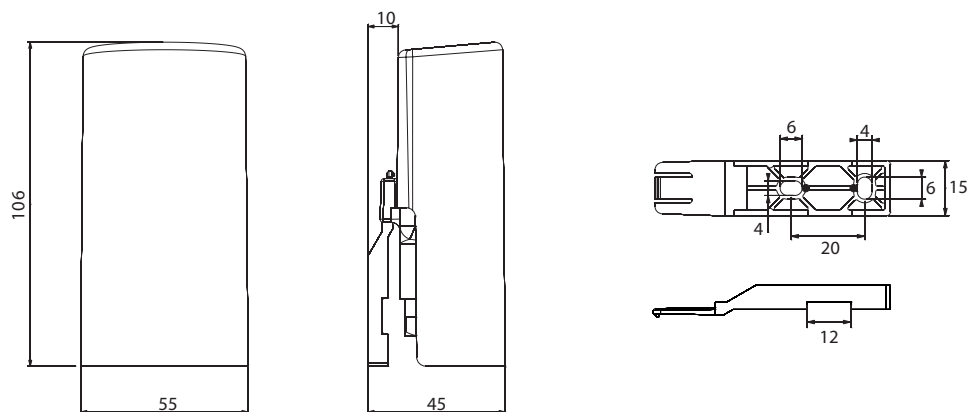
**SYSTEM 2 GANG WATERTIGHT CAPS FOR APPLICATIONS ON Q-DIN BOARDS, PTC JUNCTION BOXES,
FLANGED COVERS OF THE 66 AND Q-BOX RANGES, AND PANELS - GREY RAL 7035 - IP55**



WATERTIGHT CAP WITH MEMBRANE - GW 27 401

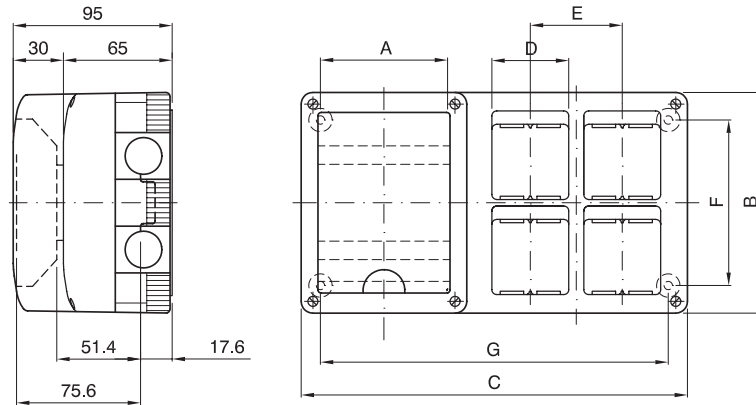
Watertight solid cap - GW 27 403

LIGHT-SENSITIVE DETECTOR WITH RELAY OUTPUT - GREY RAL 7035 - 230V 50Hz - IP55



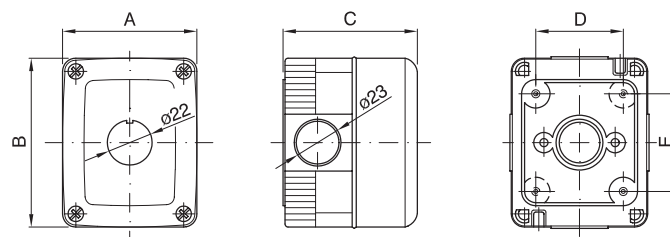
GW 27 432

COMBI DIN



Code	GW 27 071	GW 27 072	GW 27 073
A	2 DIN MOD.	4 DIN MOD.	8 DIN MOD.
B	132	132	132
C	132	231	429
D	4 (2 MOD. x 2)	8 (2 MOD. x 4)	16 (4 MOD. x 4)
E	-	1 STEP	1 STEP
F	98	98	98
G	110	209	407

COMBI 22



Code	No. gangs	A	B	C	D	E	No. knockouts
GW 27 101	1	66	82	65	44	48	4
GW 27 111					48	110	8
GW 27 102	2	132	85		44	137	6
GW 27 103	3	66	171		110		10
GW 27 104	6	132	171		210		10
GW 27 105	12	264	171				