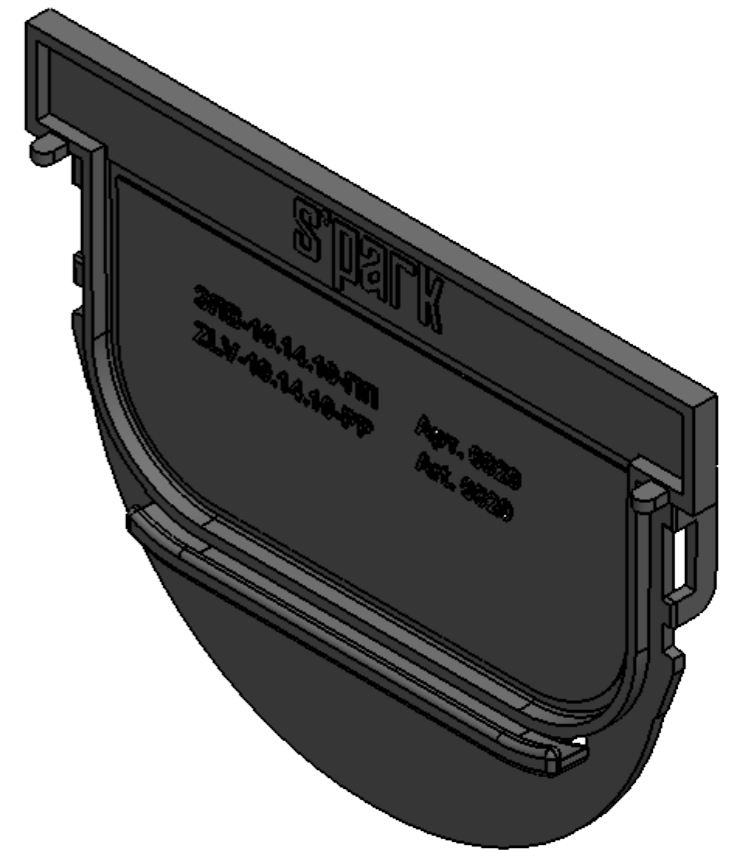
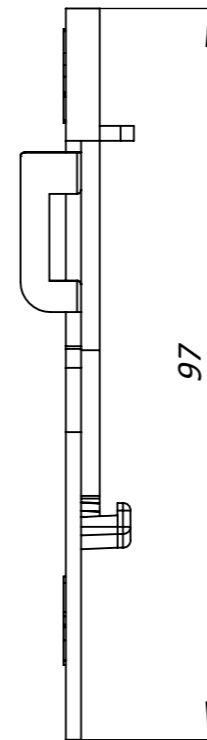
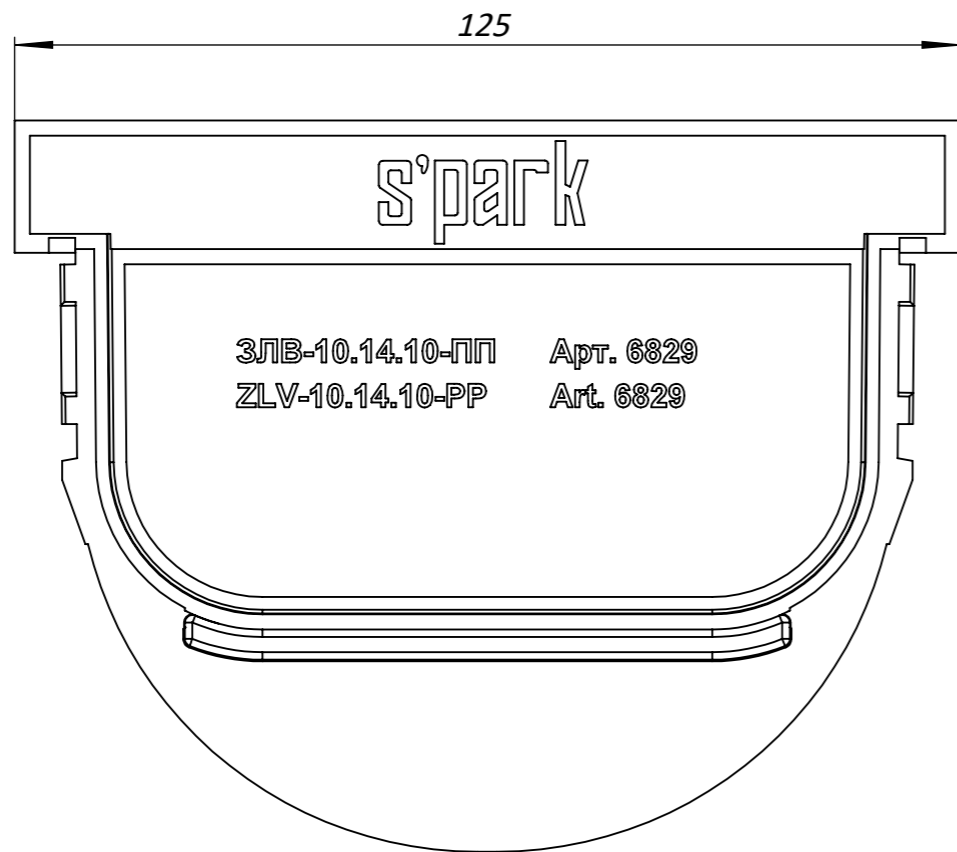


Primary Usage						
Reference No.						
Sign. and date						
Copy inv. No.						
Repl. Inv. No.						
Sign. and date						
Orig. Inv. No.						



1. Deviator of the actual weight of the nominal can be up to 10%

									Art.	
Rev.	Sheet	Doc. No.	Sign.	Data				Let.	Weight	Scale
				10.05.17					0.02	1:1
								Sheet	Sheets 1	
								