

# GP Batteries

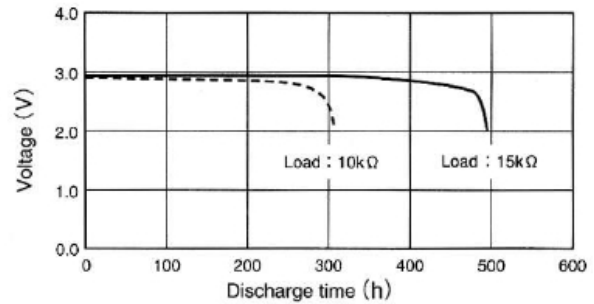
## Data Sheet

Model No.: CR2016

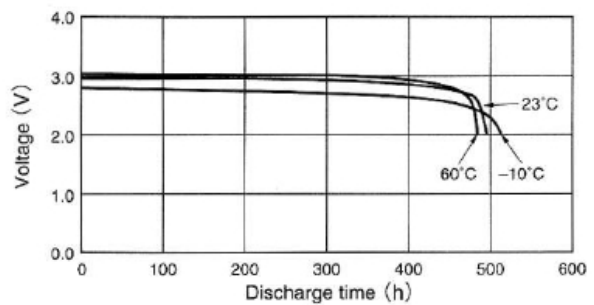
Description : Flat Lithium Battery  
 Chemical system : Lithium Manganese Dioxide  
 Nominal voltage : 3 Volts  
 Nominal capacity : 90mAh  
 Dimensions :  $\varnothing 20.0 \times 1.6\text{mm}$

Average weight : 1.7 grams  
 Applications : Computer memory back up,  
 photo

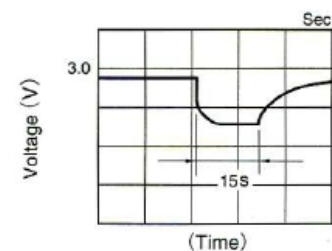
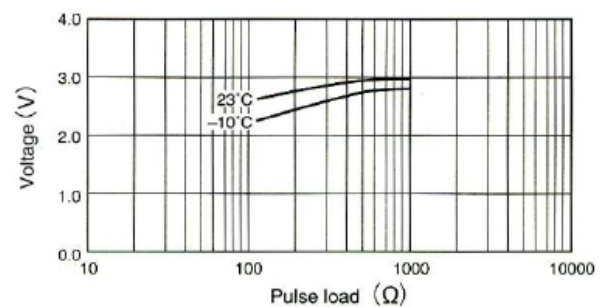
### Discharge Characteristics on Load



### Discharge Characteristics on Temperature

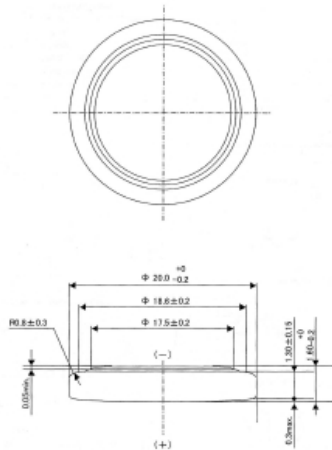


### Discharge Characteristics on Pulse Load

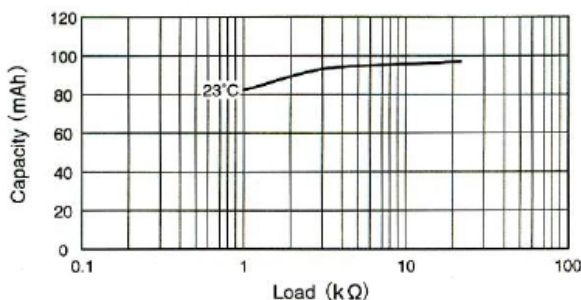


### Dimension Drawing

Diameter: 20mm  
 Height: 1.6mm



### Discharge Load vs. Discharge Capacity



### Cross References:

IEC	JIS	Eveready	Varta	Duracell
CR2016	CR2016	ECR2016	CR2016	DL2016

Member  
 Gold Peak Group

Manufacturer reserves the right to alter or amend the design, model and specification without prior notice.

08040104311