

SI-25-PP

First app.

Directory No.

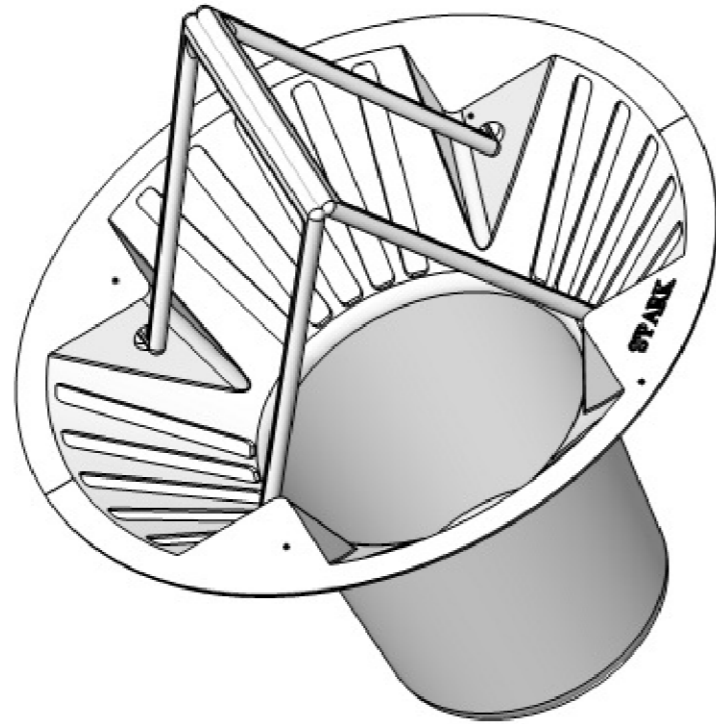
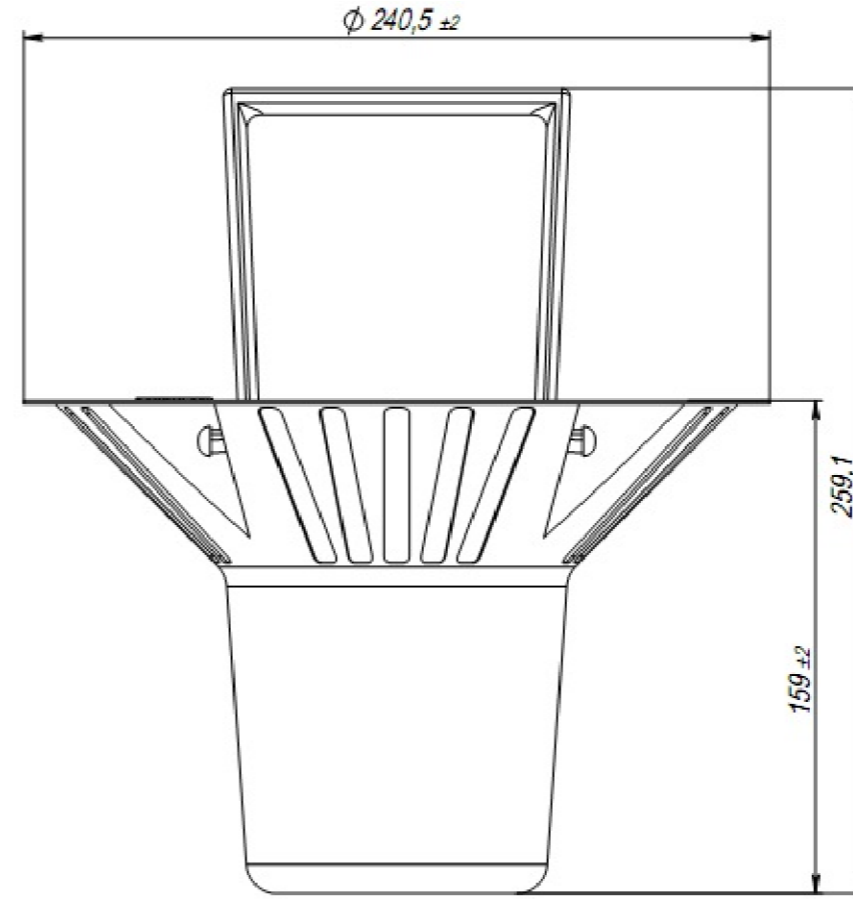
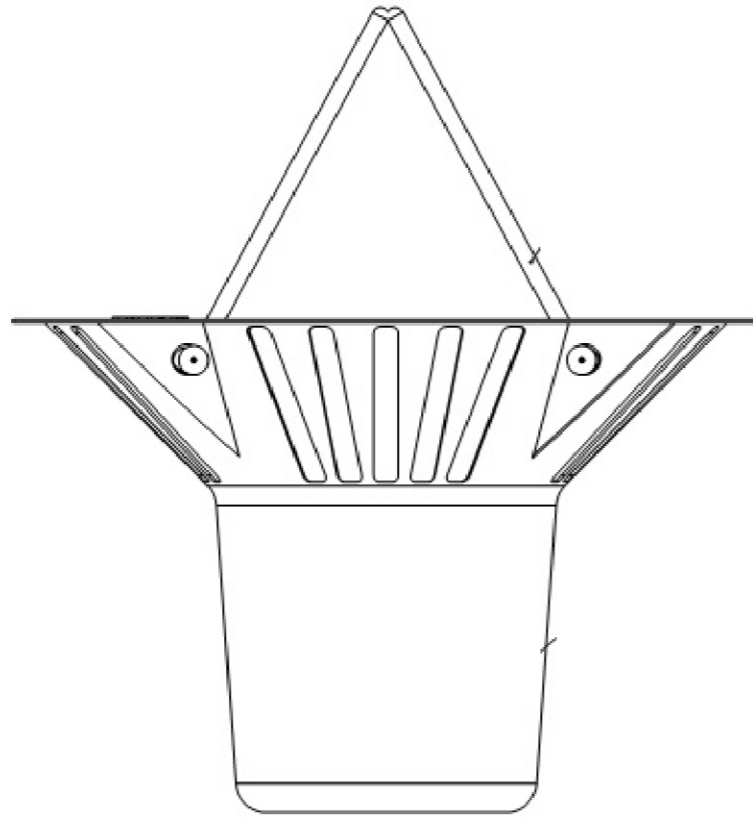
Sign. date


Dupl. Inv. No.

Repl. Inv. No.

Sign. date

Inv. Orig. No.



					SI-25-PP			Art.	8362
Ch.	Sheet	N document	Sign.	Date	Basket for storm-water inlet Spark	Let.	Weight	Scale	
Developed		Smetannikov D.P.					0.025	1:4	
Checked						Sheet		Sheets 1	
T. contr		Stahievich A.A.				Polypropylene			
R. contr									
Approved		Sedova E.A.							