

ANTOS LED

LED floodlight



[V] 220-240 AC	[Hz] 50/60	[°] 120	[h] ≥15000	[h] 25000	ellipse ≤6x MacAdam	Ra ≥80
SMD	-20÷35	180	-20÷35	≤6x MacAdam	Ra ≥80	Ra ≥80
	[m] 0,25	[mm] 1	0,5m	CE	EAC	EAC



ANTOS LED 10W-NW B

		[W]	[lm]	Tc [K]	IP		SENSOR
ANTOS LED 10W-NW B	27090	10	800	4000	65	black	
ANTOS LED 20W-NW B	27091	20	1600	4000	65	black	
ANTOS LED 30W-NW B	27092	30	2400	4000	65	black	
ANTOS LED 50W-NW B	27093	50	4000	4000	65	black	
ANTOS LED 10W-NW-SE B	27094	10	800	4000	44	black	PIR
ANTOS LED 20W-NW-SE B	27095	20	1600	4000	44	black	PIR
ANTOS LED 30W-NW-SE B	27096	30	2400	4000	44	black	PIR
ANTOS LED 50W-NW-SE B	27097	50	4000	4000	44	black	PIR

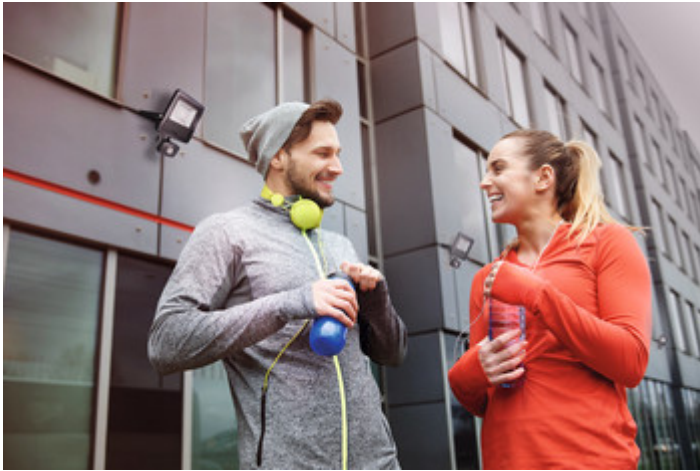


Kanlux ANTOS LED are stylish, ultra-compact LED floodlights. What is important, the luminaires have a profiled arm allowing for mounting with no need to disassemble the handle.

- Version of the floodlight ANTOS + SE - with a motion sensor
- Enclosure material: aluminum alloy
- Protective glass material: Tempered glass
- Reflector material: aluminum alloy

ANTOS LED

LED floodlight



ANTOS LED 10W-NW B



ANTOS LED 20W-NW B



ANTOS LED 30W-NW B



ANTOS LED 50W-NW B



ANTOS LED 10W-NW-SE B



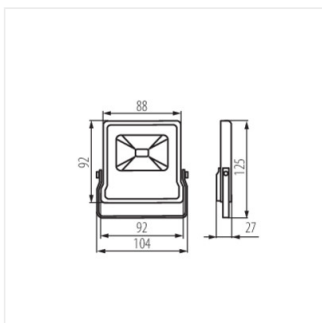
ANTOS LED 20W-NW-SE B



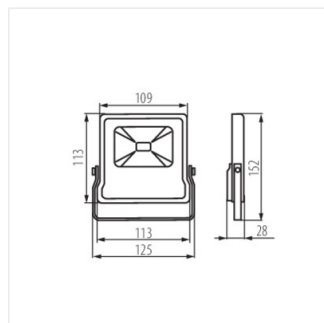
ANTOS LED 30W-NW-SE B



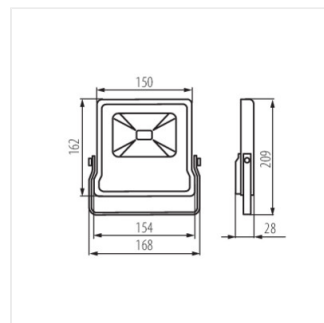
ANTOS LED 50W-NW-SE B



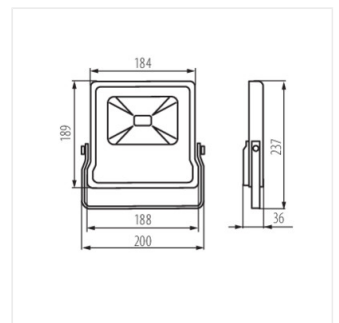
ANTOS LED 10W



ANTOS LED 20W



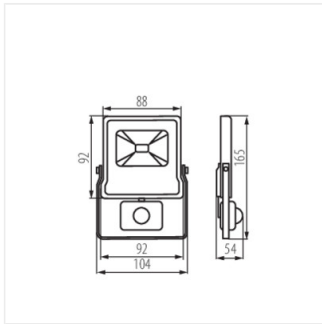
ANTOS LED 30W



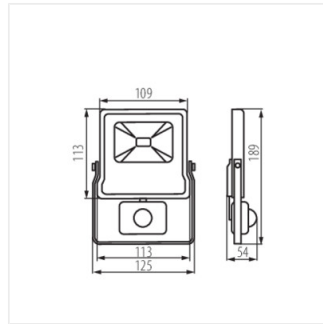
ANTOS LED 50W

ANTOS LED

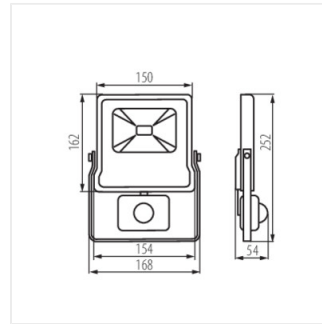
LED floodlight



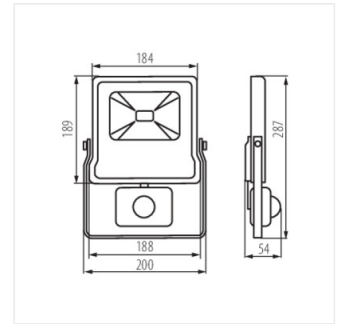
ANTOS LED 10W-...-SE



ANTOS LED 20W-...-SE



ANTOS LED 30W-...-SE



ANTOS LED 50W-...-SE