

27.04.2021

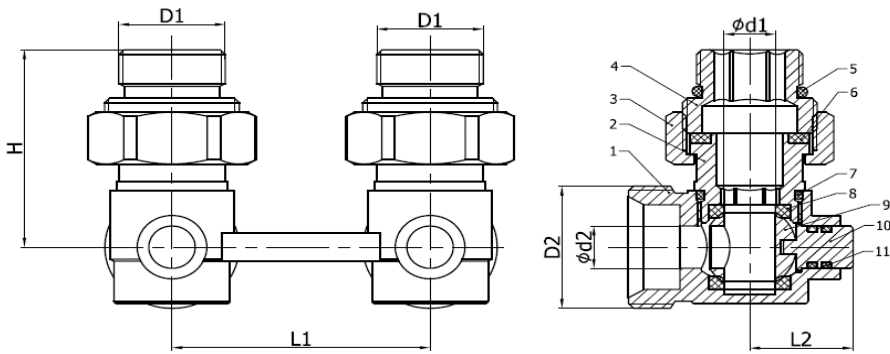
Technical Data Sheet

Honest General Trading SRL
 CIF: RO 6615609
 Reg.Com: J40/25279/1994
 Head Office: Agricultori 121 street,
 Sector 3, Bucharest
 www.honest.ro



Radiators Tap Inlet

Cod Honest	Cod furnizor	Name	L1[mm]	L2[mm]	H[mm]	D1[inch]	D2[inch]	d1[mm]	d2[mm]	G[kg]	EAN Code	Packing	Description
680256	5050	Robinet Dublu pentru Calorifer Tip H 1048 1/2"x3/4"	50	20	42	1/2	3/4	10	9	0.342	5949094041399	1/6/60	Main Material Main Color Surface Nominal Pressure Max pressure Using Temperature



(1) Material List:

11	O-ring	4	NBR
10	stem	2	HPb57-3
9	ball	2	HPb57-3
8	valve	4	PTFE
7	O-ring	2	NBR
6	gasket	2	NBR
5	O-ring	2	NBR
4	Connector pipe	2	HPb57-3
3	hexagonal nut	2	HPb57-3
2	bonnet	2	HPb57-3
1	Body	1	HPb57-3
Code	Name	Qty	Material



The thread must be knurled	
Method of testing	Water pressure (must resist 16 bar)
Certificates and agreements	
Standard thread	ISO228
Individual packing Type	Bag with label
- N.W.*=net weight.	

Evo brand and size must be :laser mechanical or electrochemical

1/2"



DURABILITY