

PRODUCT DATASHEET

LED PANEL DOWNLIGHT FE-15W/200S/865L

Consumer Products Downlights | LED PANEL LIGHT SLIM



AREAS OF APPLICATION

- Offices, conference rooms, reception areas
- Corridors, stairways, entrance areas
- Retail, shops
- Direct replacement for luminaires with compact fluorescent lamps
- General illumination

PRODUCT BENEFITS

- Low energy consumption and energy saving
- Low installation depth
- Easy and quick installation
- Instant 100 % light, no warm-up time
- No dark and yellow spots on the diffuser
- Aluminum frame with better heating diffusion

PRODUCT FEATURES

- Recessed mounted luminaires
- Light guide made of PMMA for long lifetime
- Mercury-free lamps
- Lifetime: up to 25,000 h (at 25 °C)



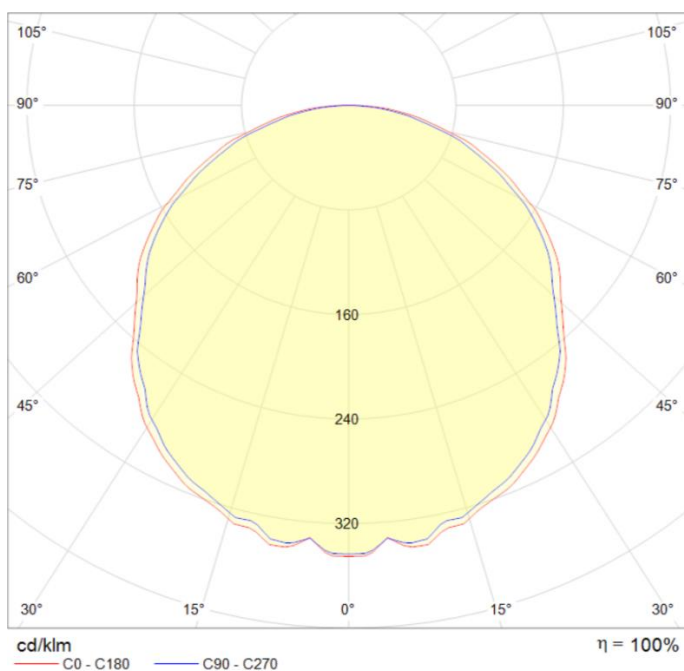
TECHNICAL DATA

Electrical data

Rated wattage	15.00 W
Nominal wattage	15.00 W
Nominal voltage	185-240VAC
Operating frequency	50...60 Hz
Power factor λ	> 0.50
Insulation Class	Class II
Protection class IK (shock resistance)	IK03

Photometrical data

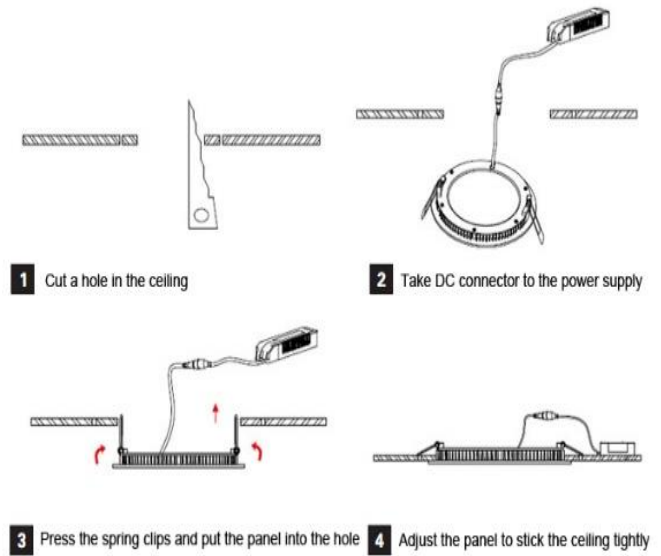
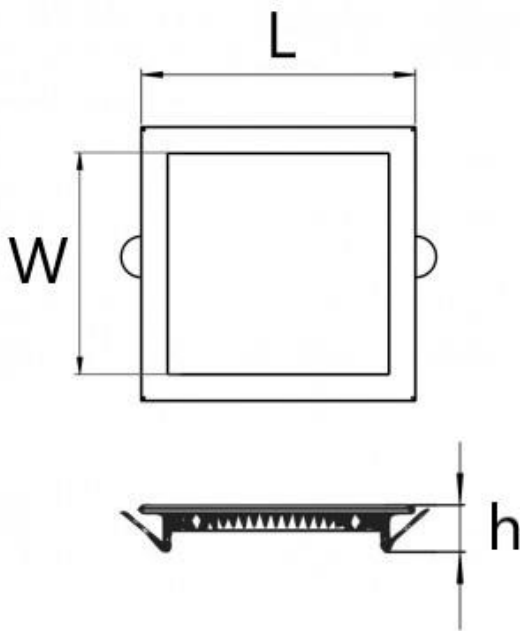
Rated luminous flux	1050 lm
Light color (designation)	Cool White
Color temperature	6500 K
Luminous flux	1050 lm
Color rendering index Ra	≥ 80
Standard deviation of color matching	≤ 6 sdc _m
Nominal luminous flux	1050 lm
Rated color temperature	6500 K



Light technical data

Starting time	< 0.5 s
Beam angle	120 °

Dimensions & weight



Length	200.0 mm
Width	200.0 mm
Height	22.0 mm
Weight	417.0 g

Lifespan

Nominal lamp life time	25000 h
Rated lamp life time	25000 h
Number of switching cycles	20000
Warranty	2 years

Capabilities

Dimmable	No
LED module replaceable	Not replaceable

Temperatures & operating conditions

Ambient temperature range	-25...+40 °C
Storage temperature	-25...+55 °C

Additional product data

Installation method	Recessed
Low flicker	Yes
Mercury-free	Yes
Design / version	frosted
Body material	Aluminum
Cover material	Polymethylmethacrylate (PMMA)
Light emitting surface material	Polymethylmethacrylate (PMMA)
Product remark	All technical parameters apply to the entire lamp/Due to the complex production process for light-emitting diodes, the typical values shown for the technical LED parameters are purely statistical values that do not necessarily match the actual technical parameters of each individual product, which can vary from the typical value
Mercury content	0.0 mg
Standards	CE/CCC

Order code/Name

Order code/Name	FE3531 LED PANEL DOWNLIGHT FE-15W/200S/865L
------------------------	---

LOGISTICAL DATA

Product code	Packaging unit (Pieces/Unit)	Dimensions (length x width x height)	Gross weight	Volume
FE3531	Carton box 1	240 mm x 28 mm x 280 mm	440.00 g	1.88 dm ³
FE3531	Shipping carton box 30	725 mm x 330 mm x 220 mm	13200.00 g	0.053 m ³

The mentioned product code describes the smallest quantity unit which can be ordered. One shipping unit can contain one or more single products. When placing an order, for the quantity please enter single or multiples of a shipping

REFERENCES / LINKS

For further products and actual information concerning LED luminaires see www.fucida.eu

For Guarantee see www.fucida.eu

DISCLAIMER

Subject to change without notice. Errors and omission excepted.

