

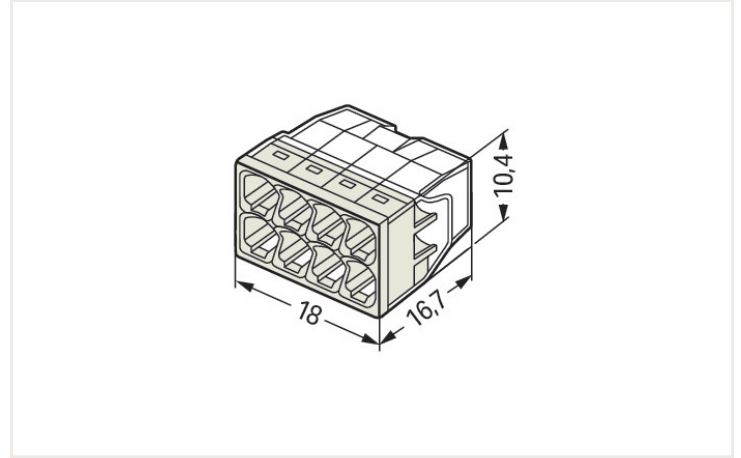
## Data sheet | Item number: 2273-208

COMPACT splicing connector; for solid conductors; max. 2.5 mm<sup>2</sup>; 8-conductor;  
transparent housing; light gray cover; Surrounding air temperature: max 60°C (T60);  
2,50 mm<sup>2</sup>; transparent

<https://www.wago.com/2273-208>



Color: X transparent



Dimensions in mm

### Advantages:

- Convenient wiring via extremely compact design
- Push-in termination of up to eight solid conductors
- Cross-section range: 0.5 ... 2.5 mm<sup>2</sup>
- Any combination of conductor sizes is possible
- PUSH WIRE® connection terminates solid ("s") copper conductors

### Notes

Safety information 1

in grounded power lines

### Electrical data

#### Ratings per IEC/EN

Ratings per	IEC/EN 60998
Nominal voltage (III/2)	450 V
Rated surge voltage (III/2)	4 kV
Rated current	24 A
Legend (ratings)	(II / 2) Δ Overvoltage category II / Pollution degree 2

#### Ratings per UL

Approvals per	UL 486C
Rated voltage (UL)	600 V
Rated current UL	20 A

### Connection data

Total number of connection points	8
Total number of potentials	1

#### Connection 1

Connection technology	PUSH WIRE®
Actuation type	Push-in
Connectable conductor materials	Copper Aluminum

## Connection 1

Connectable conductor materials (note)

### Terminating Aluminum Conductors

WAGO spring clamp terminal blocks are suitable for solid aluminum conductors up to 4 mm<sup>2</sup>/12 AWG if WAGO "Alu-Plus" Contact Paste 249-130 is used for termination.

"Alu-Plus" Contact Paste Advantages:

- Automatically destroys the oxide film during clamping.
- Prevents fresh oxidation at the clamping point.
- Prevents electrolytic corrosion between aluminum and copper conductors (in the same terminal block).
- Provides long-term protection against corrosion.

For spring clamp connections with PUSH WIRE® connection technology, **WAGO recommends that the aluminum conductor first be cleaned** and then immediately inserted into the clamping unit filled with "Alu-Plus" contact paste.

It is also possible to apply WAGO "Alu-Plus" **additionally** on the whole surface of the aluminum conductor before termination.

Please note that the nominal currents must be adapted to the reduced conductivity of the aluminum conductors::

2.5 mm<sup>2</sup> = 16 A

4 mm<sup>2</sup> = 22 A

Solid conductor	0.5 ... 2.5 mm <sup>2</sup> / 20 ... 16 AWG
-----------------	---

Strip length	11 mm / 0.43 inch
--------------	-------------------

Wiring direction	Side-entry wiring
------------------	-------------------

## Physical data

Width	18 mm / 0.709 inch
-------	--------------------

Height	10.4 mm / 0.409 inch
--------	----------------------

Depth	16.7 mm / 0.657 inch
-------	----------------------

## Material data

Note (material data)	<a href="#">Information on material data can be found here</a>
----------------------	--

Color	transparent
-------	-------------

Cover color	light gray
-------------	------------

Flammability class per UL94	V2
-----------------------------	----

Fire load	0.039 MJ
-----------	----------

Weight	2.2 g
--------	-------

## Environmental requirements

Ambient temperature (operation)	+60 °C
---------------------------------	--------

Continuous operating temperature	105 °C
----------------------------------	--------

Temperature marking per EN 60998	T60
----------------------------------	-----

**Commercial data**

Product Group	7 (Push Wire Conn.)
eCl@ss 10.0	27-14-11-04
eCl@ss 9.0	27-14-11-04
ETIM 7.0	EC000446
ETIM 6.0	EC000446
PU (SPU)	500 (50) Stück
Packaging type	Box
Country of origin VKOrg Germany	DE
GTIN	4050821027881
Customs tariff number VKOrg Germany	85369010000