

TECHNICAL DRAWING



240

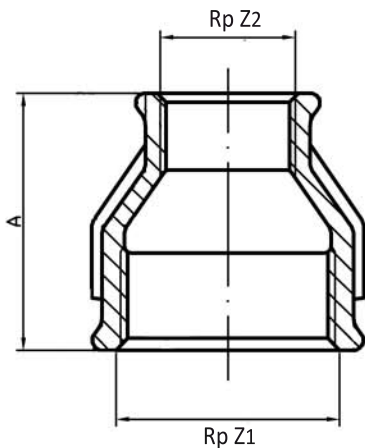
Socket, reduced F/F

ISO M2



2

1



SIZE	A	Z1XZ2
1/2"x1/4"	36	1/2"x1/4"
1/2"x3/8"	36	1/2"x3/8"
3/4"x3/8"	39	3/4"x3/8"
3/4"x1/2"	39	3/4"x1/2"
1"x3/8"	45	1"x3/8"
1"x1/2"	45	1"x1/2"
1"x3/4"	45	1"x3/4"
1 1/4"x1/2"	50	1 1/4"x1/2"
1 1/4"x3/4"	50	1 1/4"x3/4"
1 1/4"x1"	50	1 1/4"x1"
1 1/2"x1/2"	55	1 1/2"x1/2"
1 1/2"x3/4"	55	1 1/2"x3/4"
1 1/2"x1"	55	1 1/2"x1/2"
1 1/2"x1 1/4"	55	1 1/2"x3/4"
2"x3/4"	65	2"x3/4"
2"x1 1/4"	65	2"x3/4"
2"x1/2"	66	2"x1/2"
2"x1"	66	2"x1"
2"x1 1/2"	66	2"x1 1/2"
2 1/2"x1/2"	74	2 1/2"x1/2"
2 1/2"x3/4"	74	2 1/2"x3/4"
2 1/2"x1 1/4"	74	2 1/2"x1 1/4"
2 1/2"x1"	74	2 1/2"x1"
2 1/2"x1 1/2"	74	2 1/2"x1 1/2"
2 1/2"x2"	74	2 1/2"x2"
3"x1"	80	3"x1"
3"x1 1/4"	80	3"x1 1/4"
3"x1 1/2"	80	3"x1 1/2"
3"x2"	80	3"x2"
3"x2 1/2"	80	3"x2 1/2"
4"x1 1/2"	80	4"x1 1/2"
4"x2"	94	4"x2"
4"x2 1/2"	94	4"x2 1/2"
4"x3"	94	4"x3"

TECHNICAL REQUIREMENT:

- 1.A DIMENSION TOLERANCE ACCORDING TO EN10242
- 2.THREADS ACCORDING TO ISO7/1
- 3.MATERIAL ACCORDING TO EN 1562
- 4.HOT DIPPED GALVANIZED SHALL BE IN ACCORDANCE WITH EN ISO 1460