

# GP Batteries

Data Sheet

Model No.: GP312G

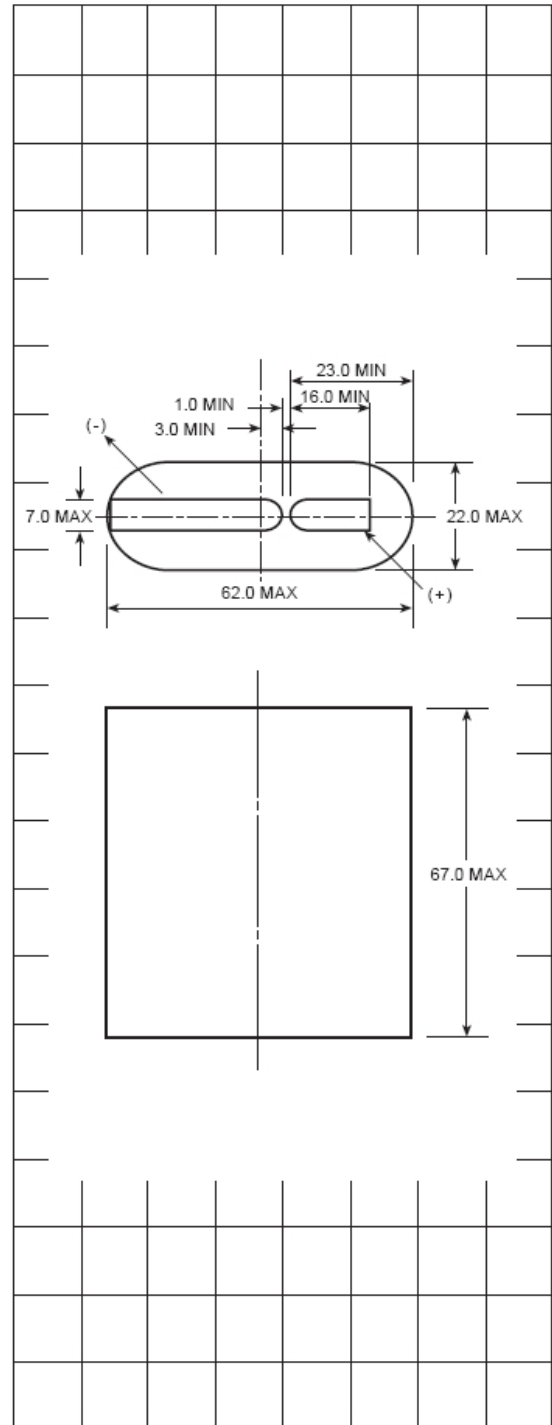
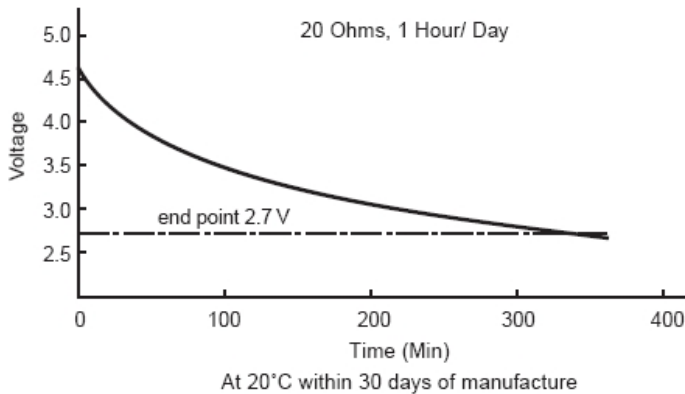
## NO MERCURY ADDED

Description : Mercury Free Extra Heavy Duty  
 Chemical System : Zinc Chloride  
 Nominal Voltage : 4.5 Volts  
 Nominal Dimensions : 22.0 mm x 62.0 mm x 67.0 mm  
 Terminals : Brass positive(+) and brass negative(-)  
 Jacket : Plastic jacket, ultrasonic welded  
 Applications : Head lamp, bicycle lamp & pocket lamp.

Average Weight : 115gm  
 Date Code : Unless otherwise specified, every battery will carry an expiry date code for 24 months. (e.g. a battery manufactured on January 2000 will carry an expiry code of 01-02.) 01 stands for January, 02 stands for 2002


### Estimated Service:

Discharge Resistance	Discharge Condition	End Point Voltage	Service Life
220 Ohms	4 Hrs/ Day	2.7V	108 Hrs
20 Ohms	1 Hr/Day	2.7V	370 Mins



### Cross References:

GP	IEC
312G	3R12

 Member  
Gold Peak Group

Manufacturer reserves the right to alter or amend the design, model and specification without prior notice.

0501011106