





Screw-drivers + testers

OP-1 and OP-2e screw drivers represents new generation of modern and efficient devices allowing for quick and safe check of the following parameters: AC/DC voltage, circuit polarity and integrity.

Technical features

Name	Operating temperature °C	Mains current frequency, Hz	Parameters under test				Article	
			alternating voltage, V	constant voltage, V	polarity determination, V (direct current)	circuit integrity check, MOhm		indication of electromagnetic voltage density, mW/cm ²
Screw-driver tester OP-1	-10 ÷ +50	50 ÷ 500	Contact method 70 ÷ 250; contact-less – 70 ÷ 600	–	1,5–36	0–50	> 5	TPR10
Screw-driver tester OP-2e (electronic)	-10 ÷ +50	50 ÷ 500	Contact method 70 ÷ 250; contact-less – 70 ÷ 10 000	up to 250	1,2–36	"O" = 0–5 "L" = 0–50 "H" = 0–100	"L" = 5 "H" = 2	TPR20


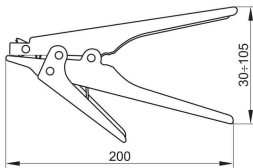

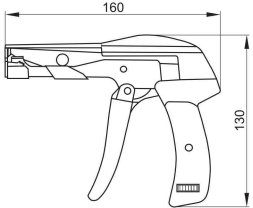
Range

	Name	Article
	Screwdriver-tester OP-1	TPR10
	Screwdriver-tester OP-2e (electronic)	TPR20

Tools for Clamps

PKhK-type guns for IEK® clamp tightening are designed for quick and safe tightening and cutting of cable clamps. We recommend to use IEK® clamps, such as cable nylon clamps, KhOK, KhP, KhA, KhM, KhD and clamps for SIW (page 520–523).

Range

	Overall dimensions	Name	Width of tightened clamps, mm	Article
		PKhK 519 clamp tightening and cutting gun	2,3 ÷ 9,5	THS10-W9 0
		PKhK 600A clamp tightening and cutting gun	2,2 ÷ 4,8	THS10-W4 8