





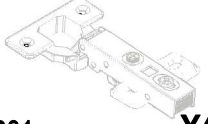

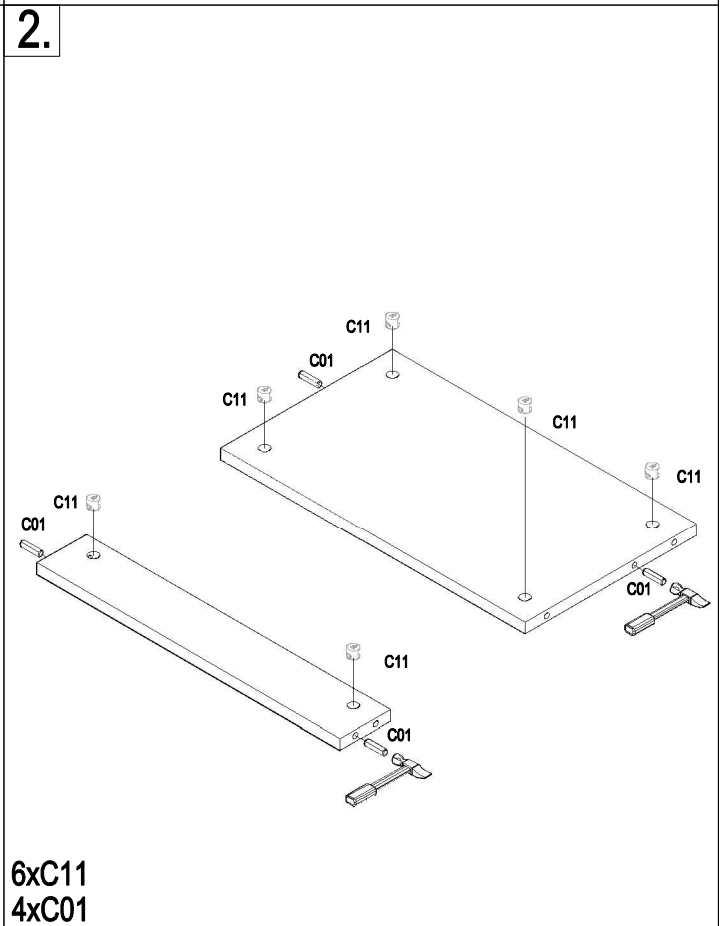
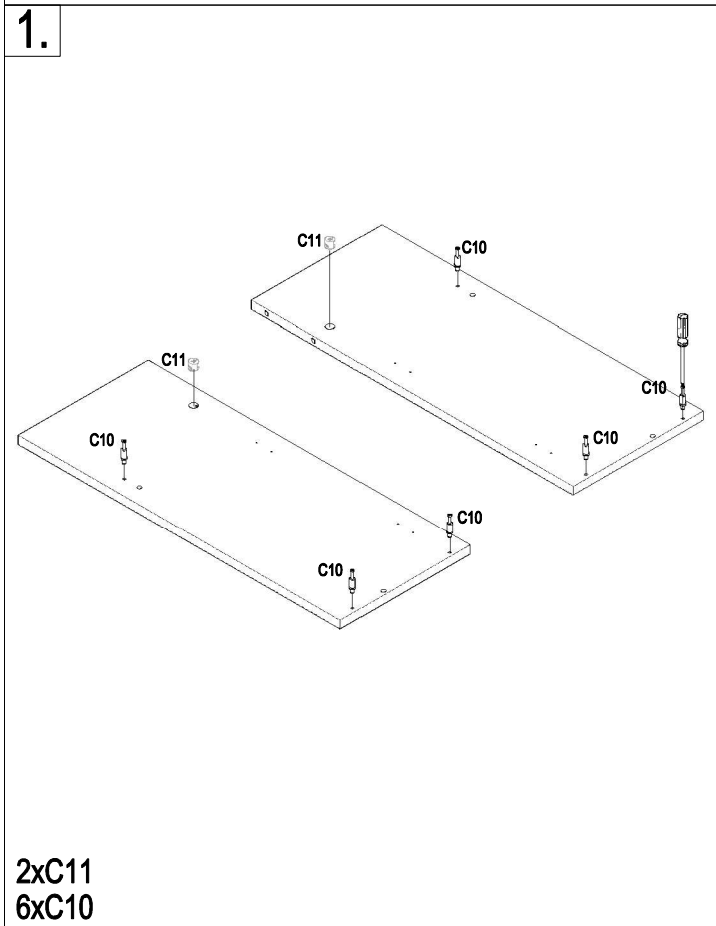
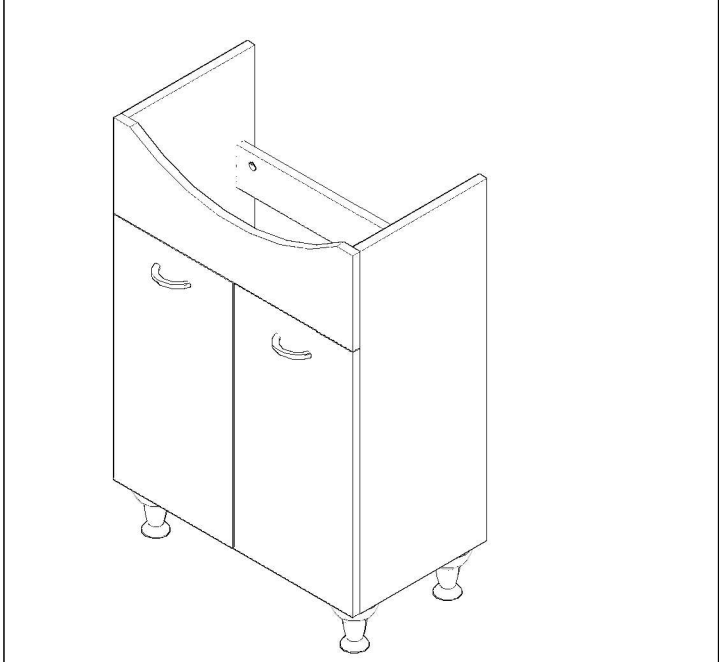
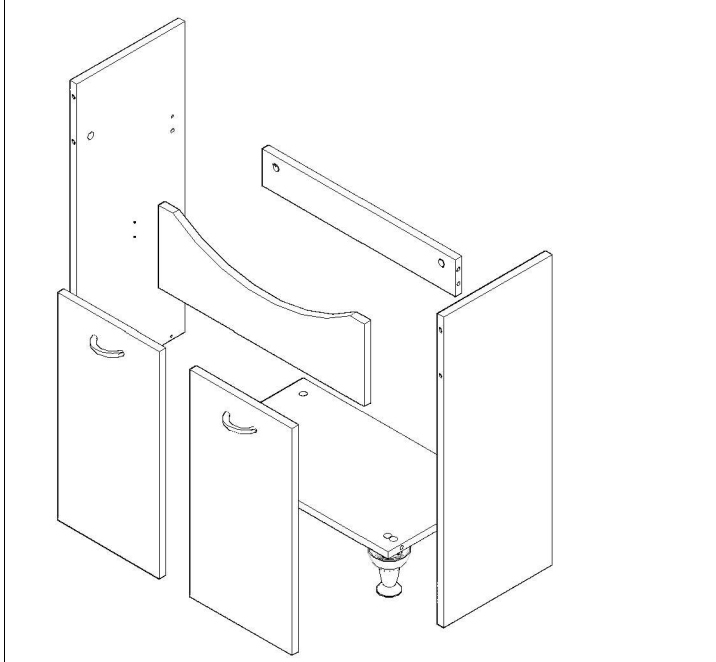
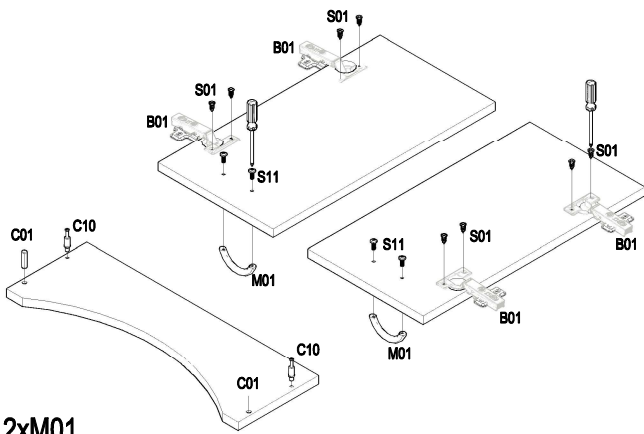


NR.5

 <p>3.5x16</p> <p>S01 x32</p>	 <p>M4x22</p> <p>S11 x4</p>	 <p>C01 x6</p>	 <p>C10 x8</p>	 <p>D11 x8</p>	 <p>P01 x4</p>
 <p>B01 x4</p>	 <p>M01 x2</p>				

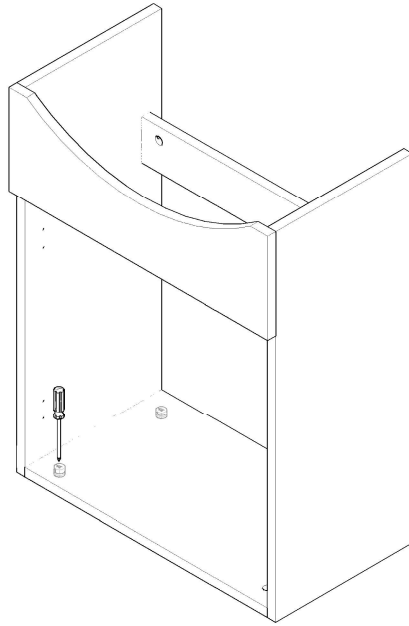


3.

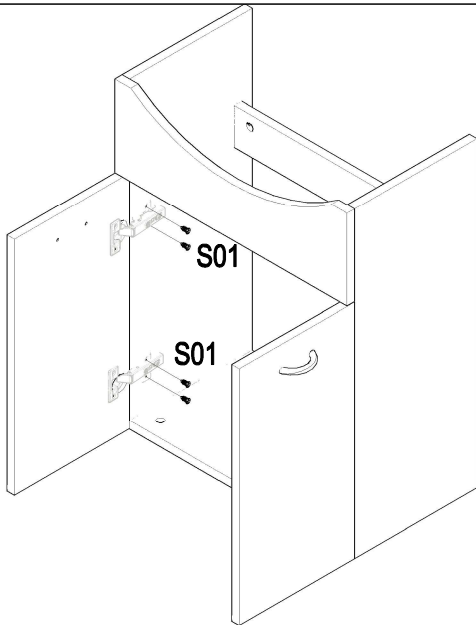


2xM01
 4xS11
 8xS01
 2xC10
 2xC01

4.

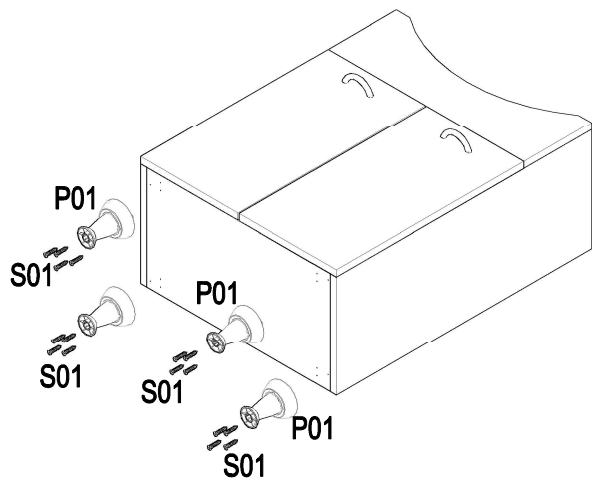


5.



8xS01

6.



4xP01
 16xS01