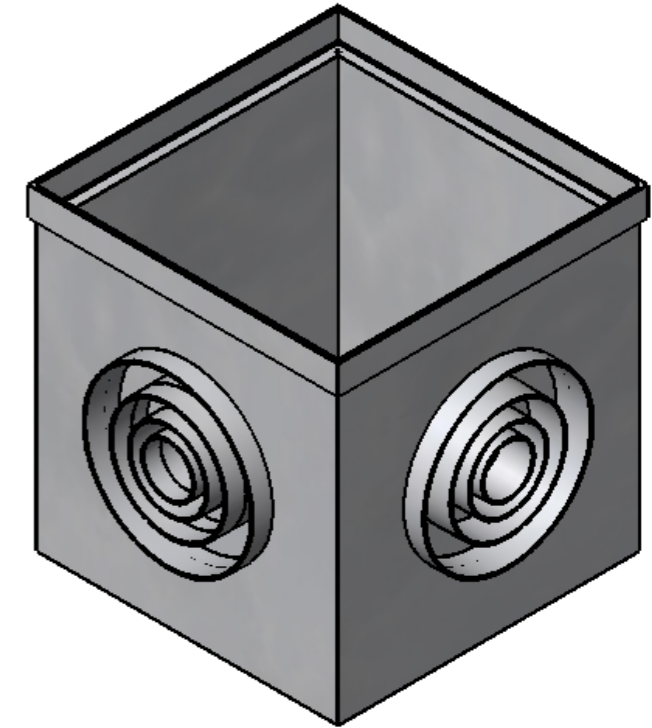
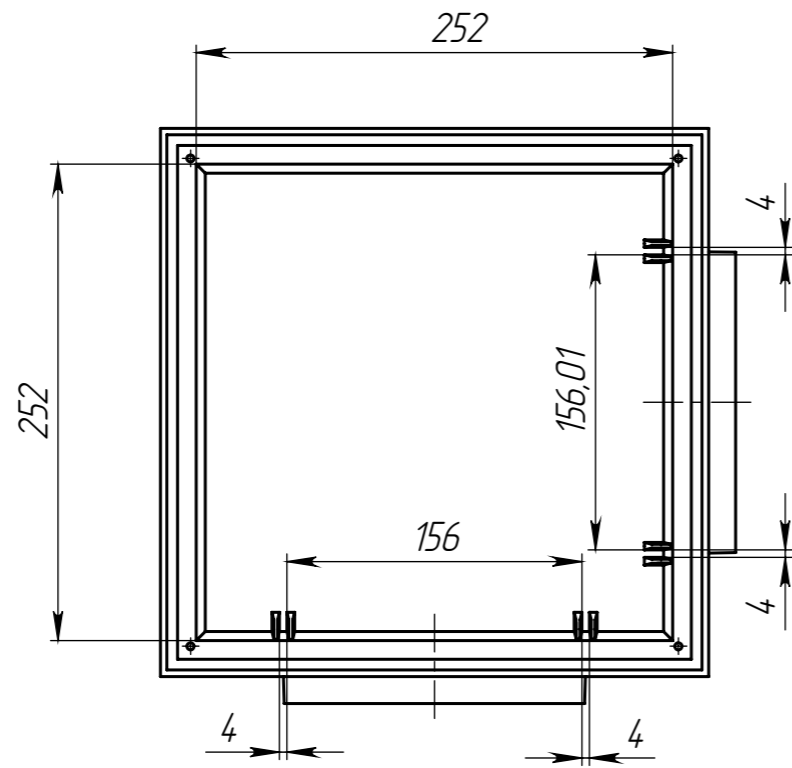
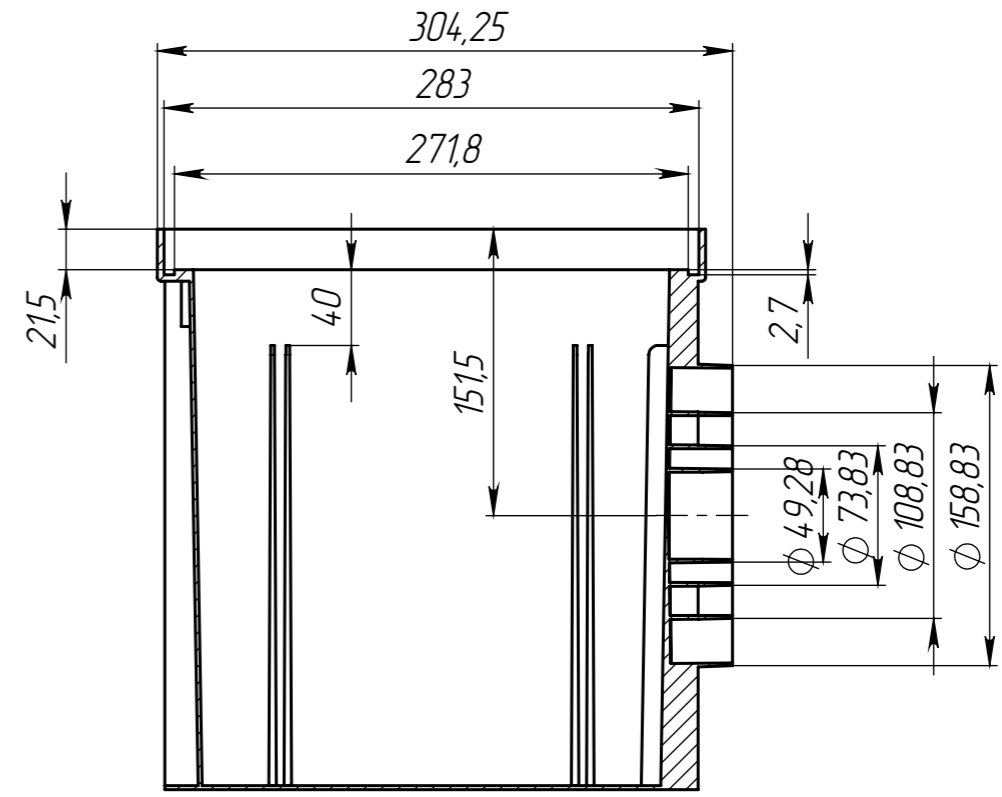
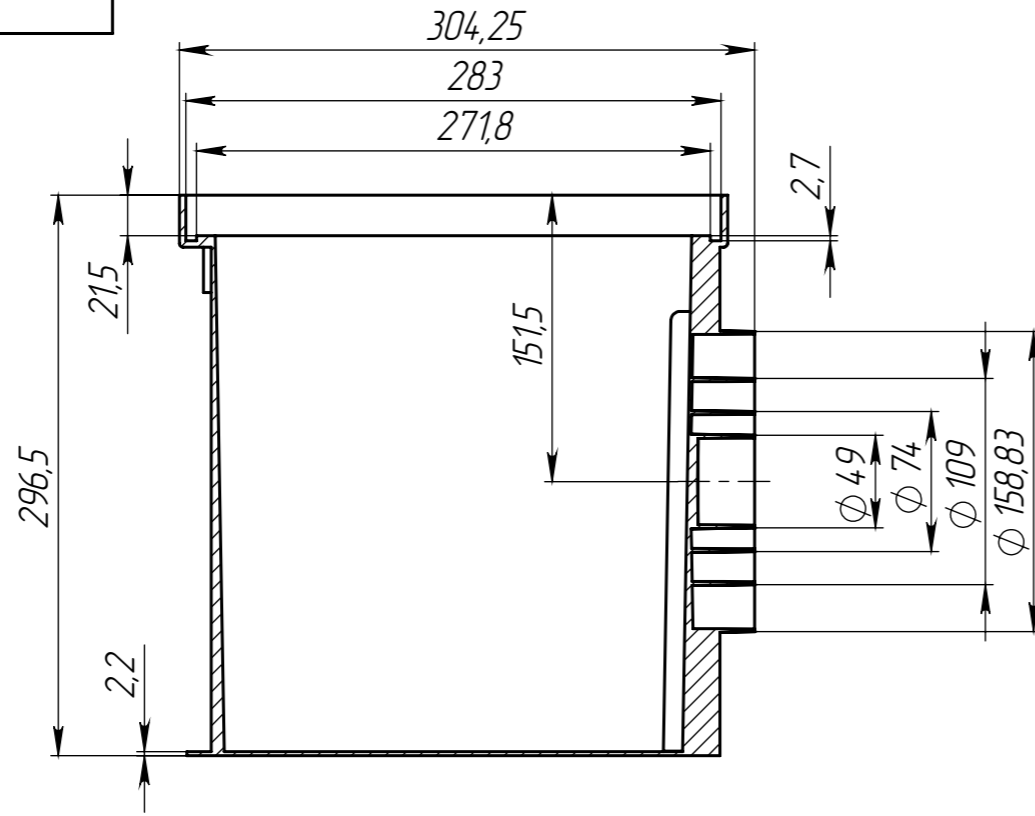


BD-30.30-PP



					Art. 8370-C			
					BD-30.30-PP			
Ch.	Sheet	N document	Sign.	Date	Drain box PolyMax Basic	Let.	Weight	Scale
Developed	Smetannikov D.P.						2,73	1:4
Checked								
T. contr	Stahievich A.A.							
R. contr					Polypropylene	Sheet		
Approved	Sedova E.A.					Sheets 1		



First app.

Directory No.

Sign. date

Dupl. Inv. No.

Repl. Inv. No.

Sign. date

Inv. Orig. No.