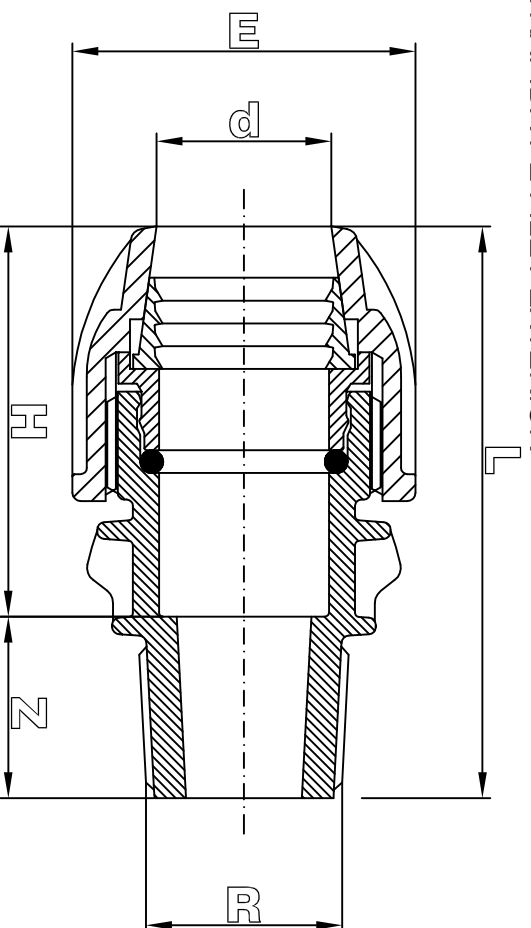


MUFA RAPIDA PE FILET EXTERIOR



dxR	Z _{min.}	H	L		E		g
			Tolerance	Tolerance	Tolerance	Tolerance	
20x1/2"	26	58 +3 mm	84 +3 mm	47 +0.3 mm	35		
20x3/4"	26	58 +3 mm	84 +3 mm	47 +0.3 mm	40		
25x1/2"	26	67 +3 mm	93 +3 mm	54 +0.3 mm	50		
25x3/4"	26	67 +3 mm	93 +3 mm	54 +0.3 mm	55		
25x1"	26	67 +3 mm	93 +3 mm	54 +0.3 mm	65		
32x3/4"	26	77 +3 mm	103 +3 mm	66 +0.3 mm	80		
32x1"	26	77 +3 mm	103 +3 mm	66 +0.3 mm	90		
32x1 1/4"	28	77 +3 mm	105 +3 mm	66 +0.3 mm	115		
40x1"	29	96 +5 mm	125 +5 mm	83 +0.5 mm	160		
40x1 1/4"	29	96 +5 mm	125 +5 mm	83 +0.5 mm	180		
40x1 1/2"	29	96 +5 mm	125 +5 mm	83 +0.5 mm	195		
50x1 1/4"	30	110 +5 mm	140 +5 mm	98 +0.5 mm	250		
50x1 1/2"	30	110 +5 mm	140 +5 mm	98 +0.5 mm	270		
50x2"	34	110 +5 mm	144 +5 mm	98 +0.5 mm	300		
63x1 1/2"	32	124 +5 mm	156 +5 mm	116 +0.5 mm	420		
63x2"	36	124 +5 mm	160 +5 mm	116 +0.5 mm	450		

The FILBO connecting joint is designed and manufactured in according to the international standard norms:


- ISO 3458
- ISO 3459
- ISO 3501
- ISO 3503
- ISO 14236
- DIN 8076-3
- KIWA BRLK 534-01
- UNI 9561
- UNI 9562

The connecting parts of the body with the PE pipes are designed in according to the international standard norms:

- ISO DIS 3607
- DIN 8072
- DIN 8074
- UNI 7611
- UNI 7990

Male and female threaded adaptors are designed in according to the international standard norms:

- ISO 7
- UNISO 7-1
- BS 21

Designer		6, Tsar Ivan Shishman Str. Varna – Bulgaria	
SCALA	Date	Injection Machine	
//	05.06.2007		
		DENOMINAZIONE	
		Male Adaptor Data Sheet. FISA MUFA RAPIDA PE FE	
Raw Material		Drawing N°	
		DSH 0004	