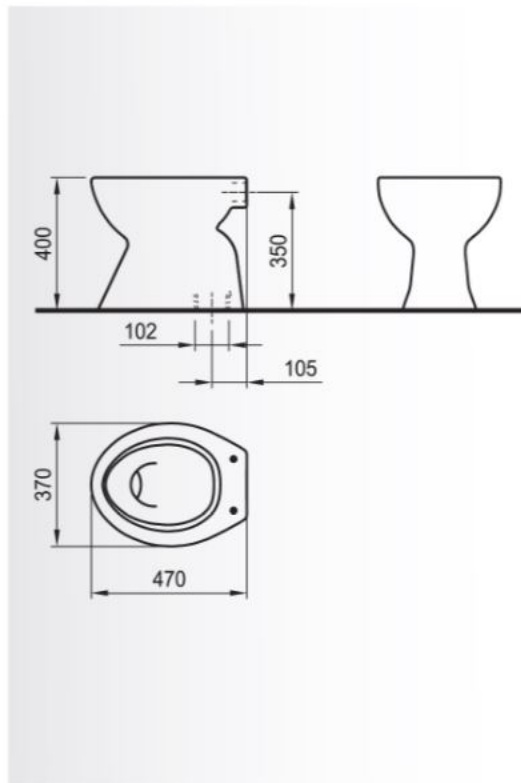




Recommended fixation kit:

Item Number

WMCFC001C000001



Item Number	Colour
H8206500000001	white

Packaging: without box

Weight

13,70 kg.

Pcs/pallet

30