
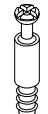



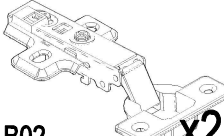
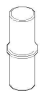
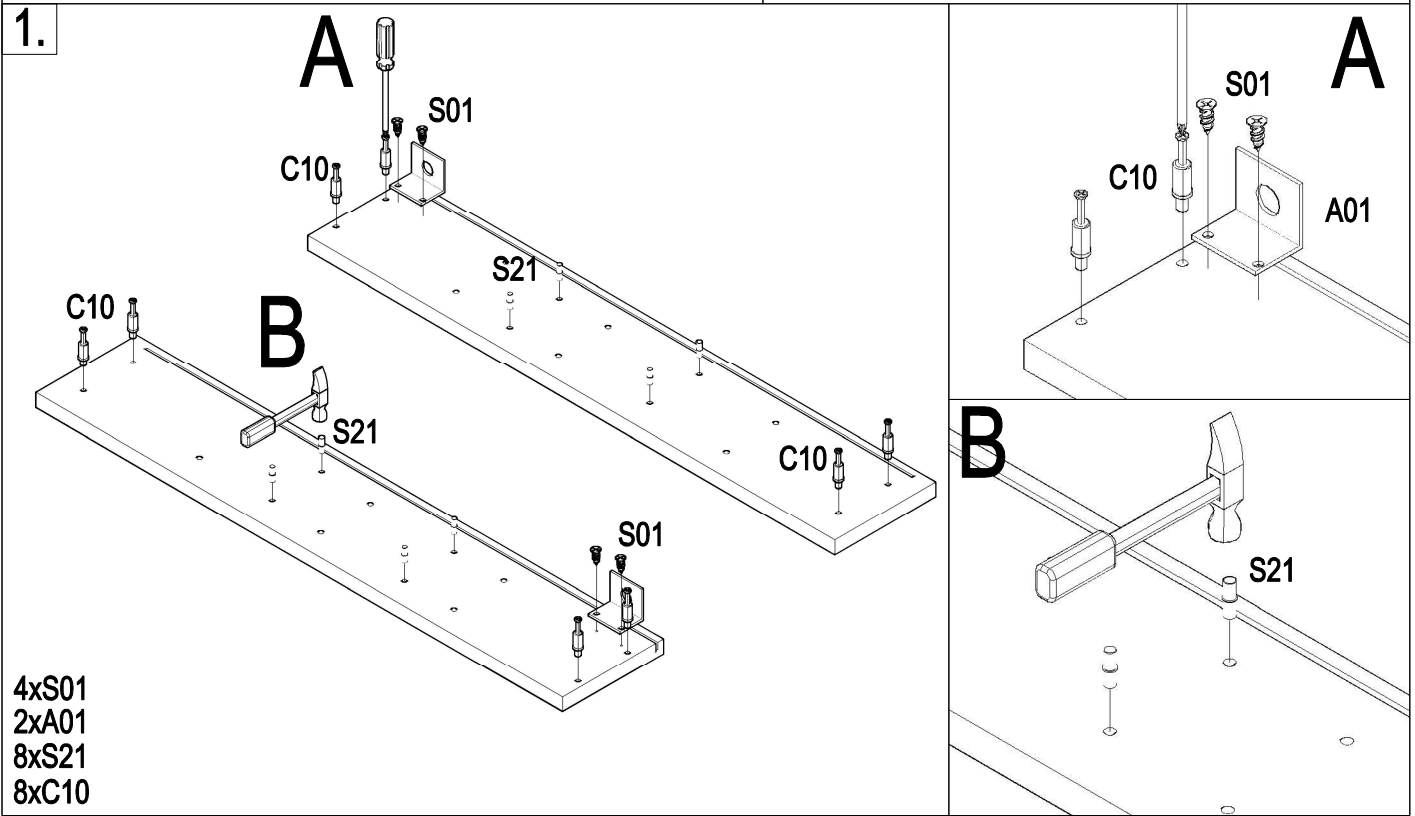
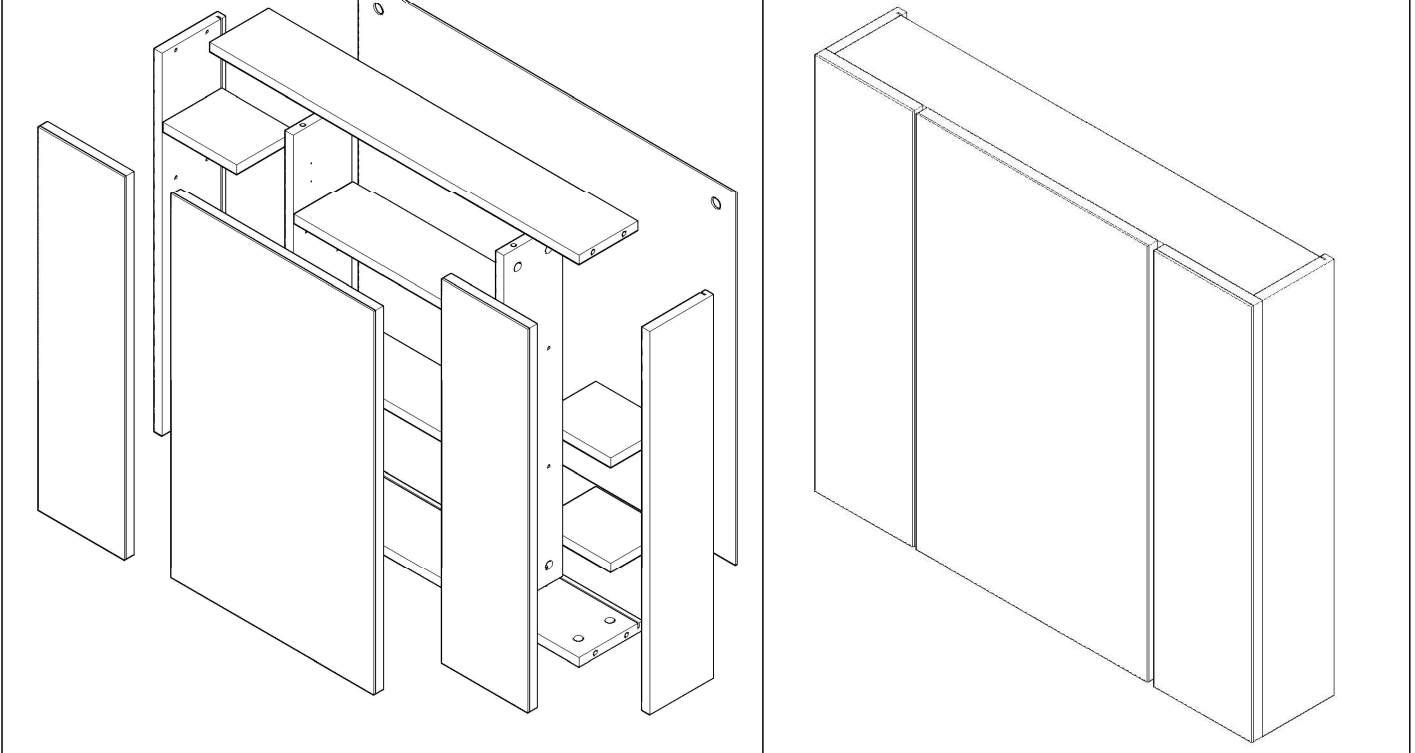
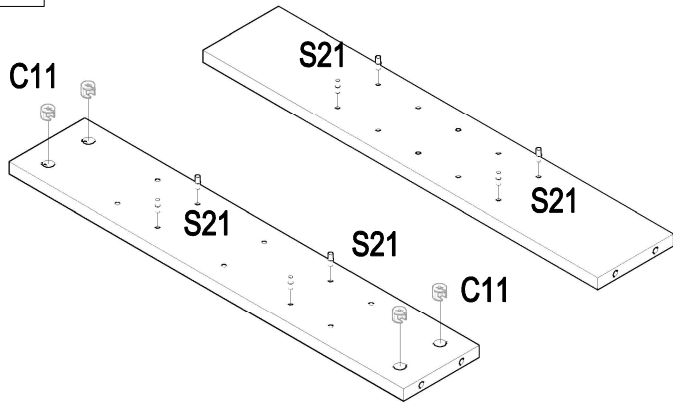


NR.19

 3.5x16 S01 x33	 C10 x16	 C11 x16	 B01 x4	 A01 x2	 B02 x2
 S21 x24					

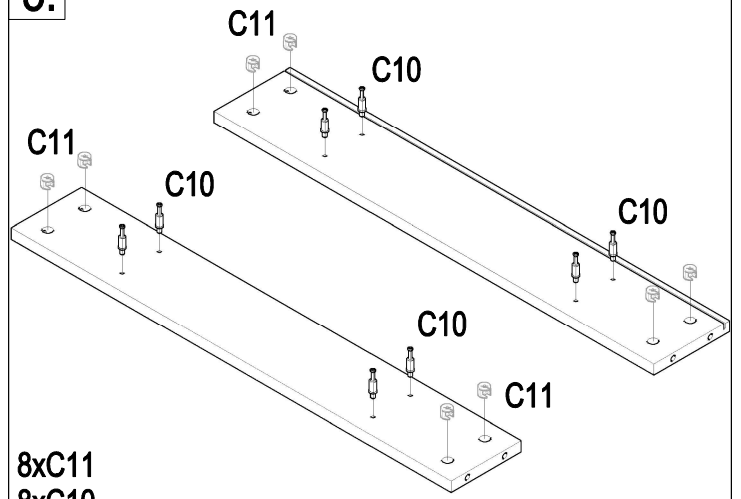


2. X 2



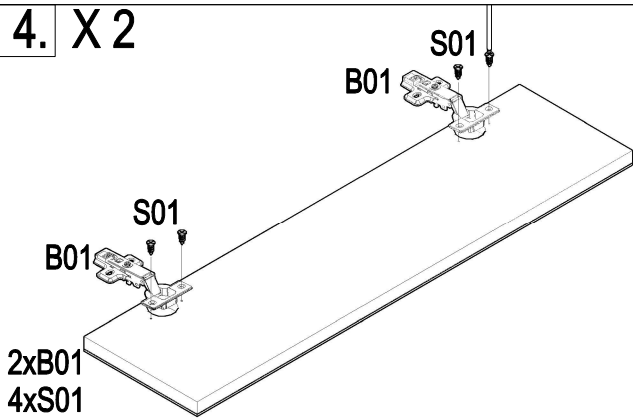
4xC11
8xS21

3.



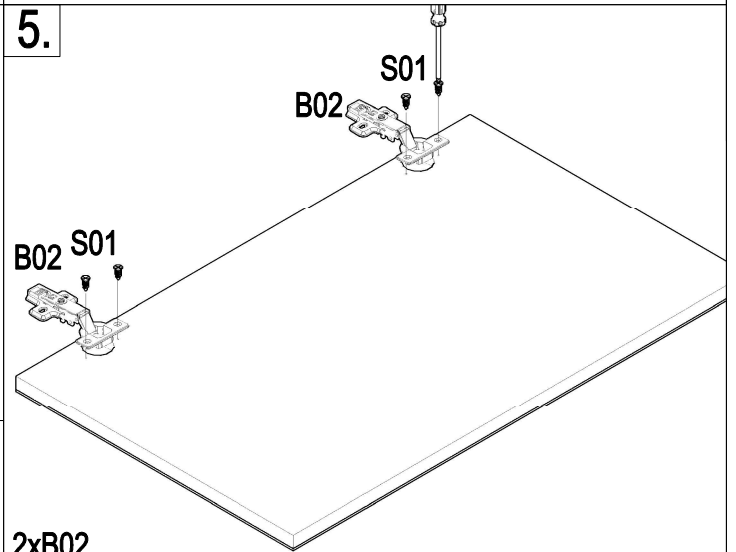
8xC11
8xC10

4. X 2



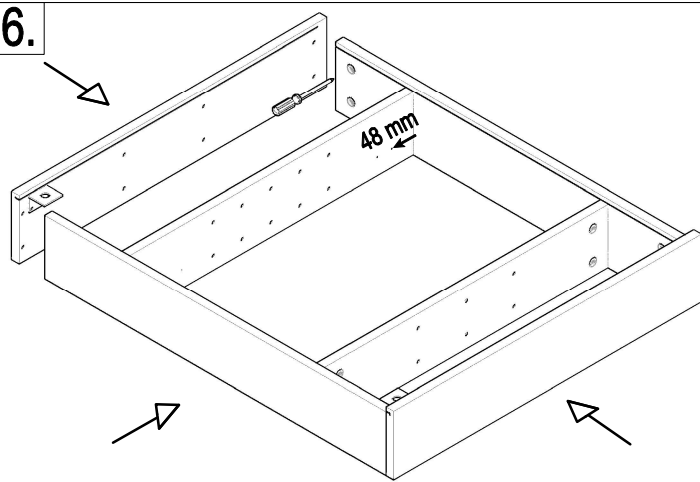
2xB01
4xS01

5.

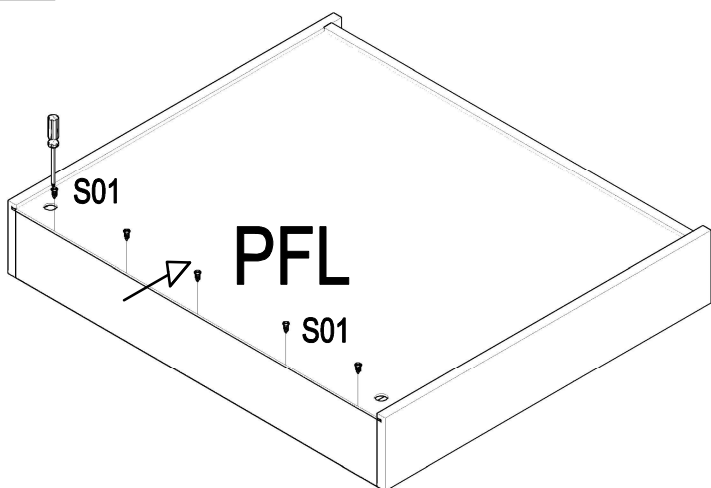


2xB02
4xS01

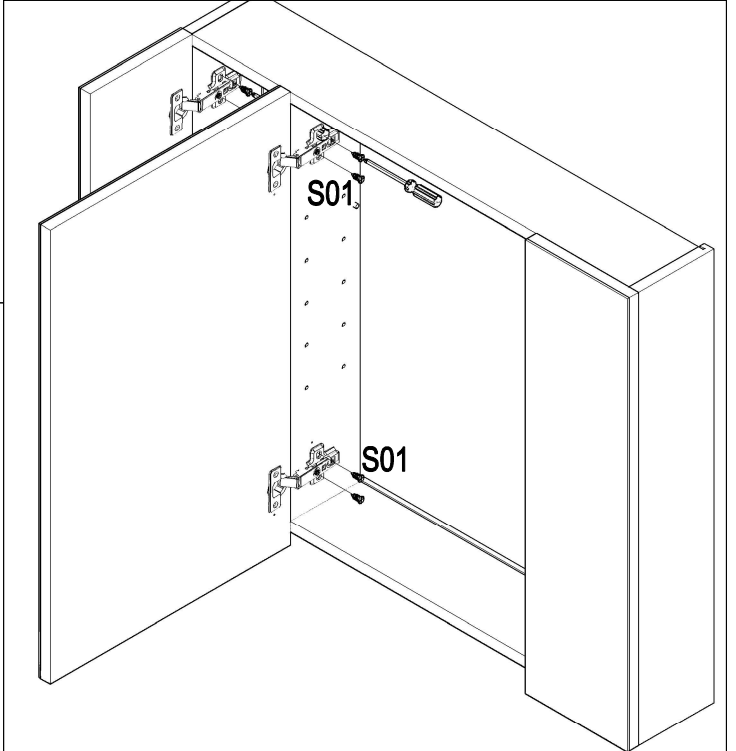
6.



7.



5xS01



12xS01