





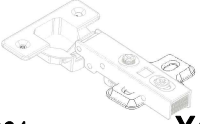

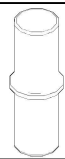
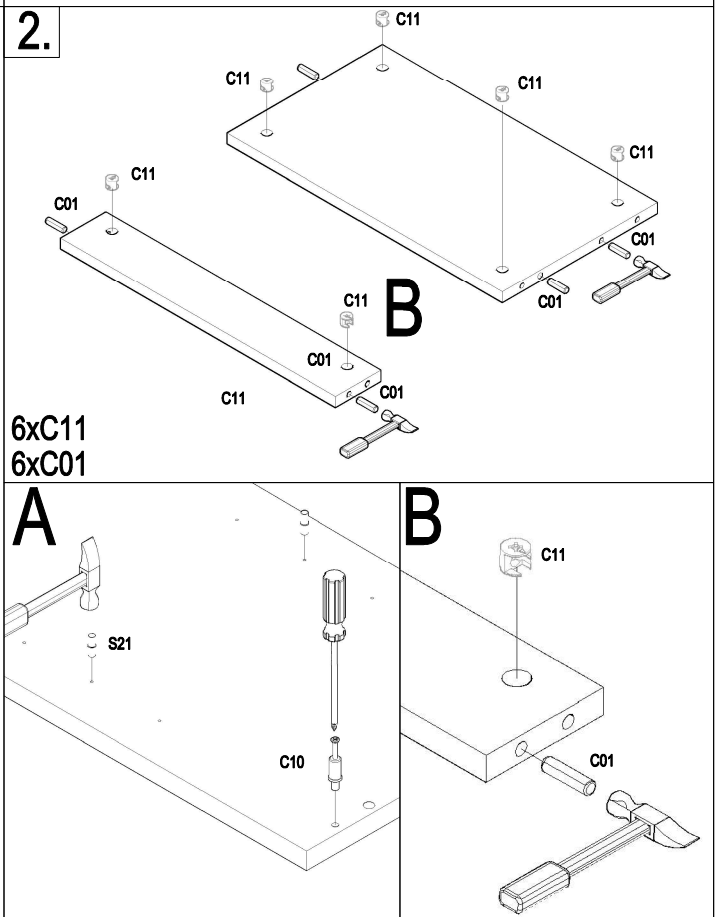
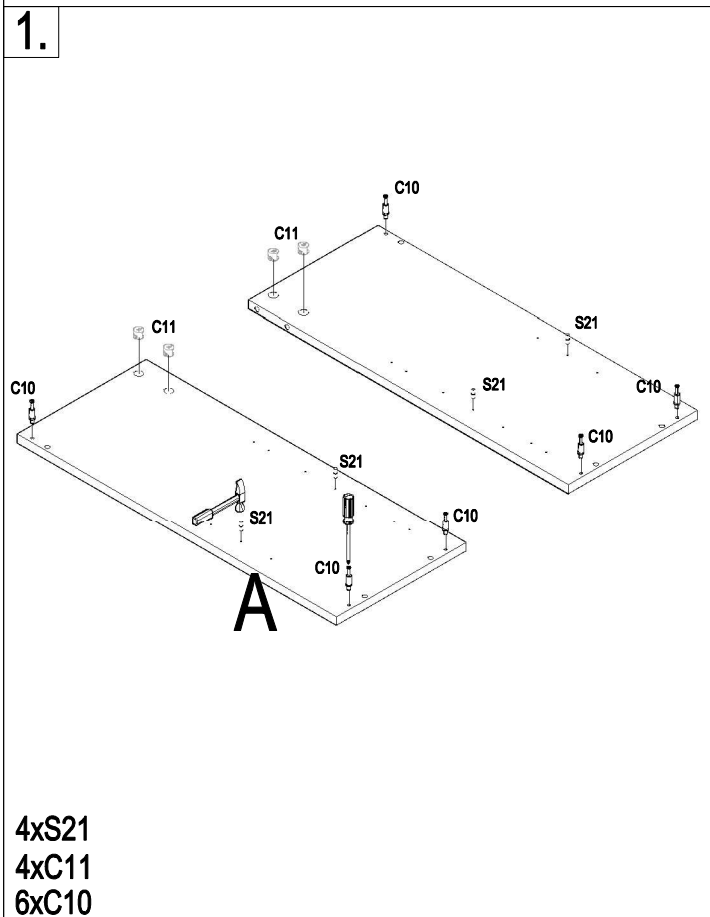
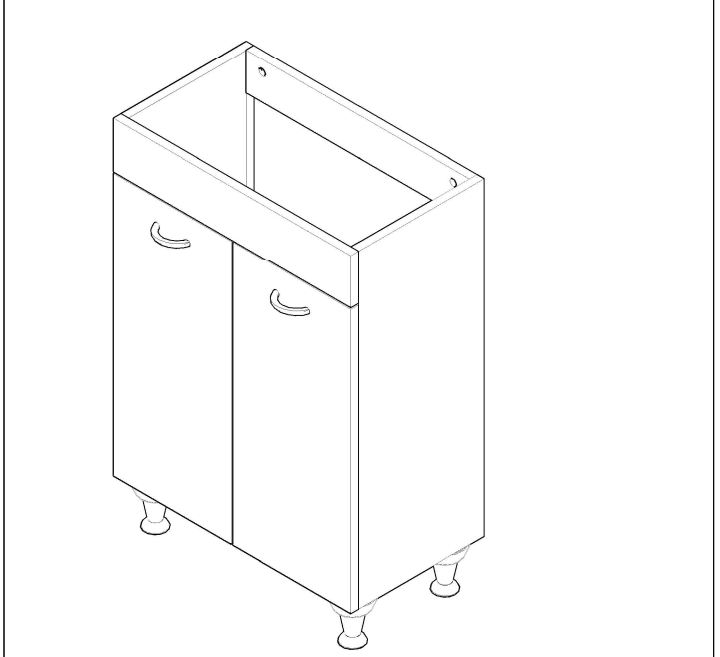
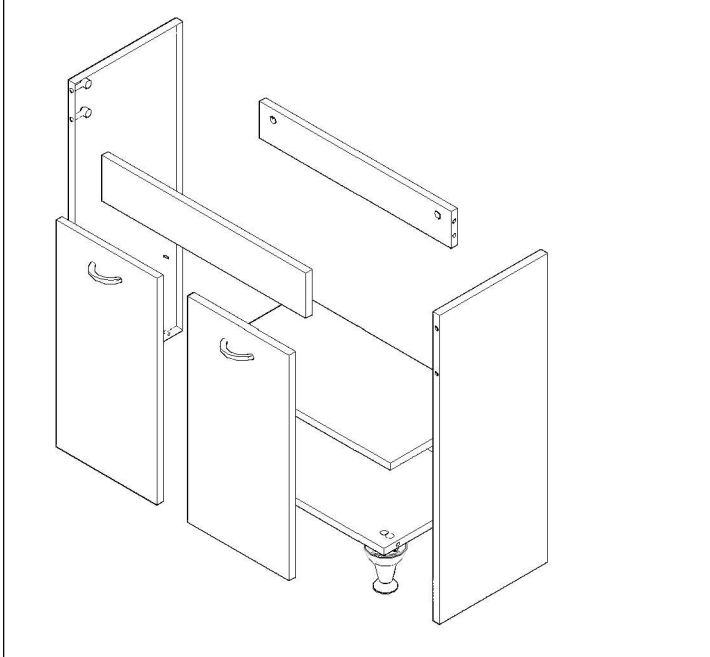
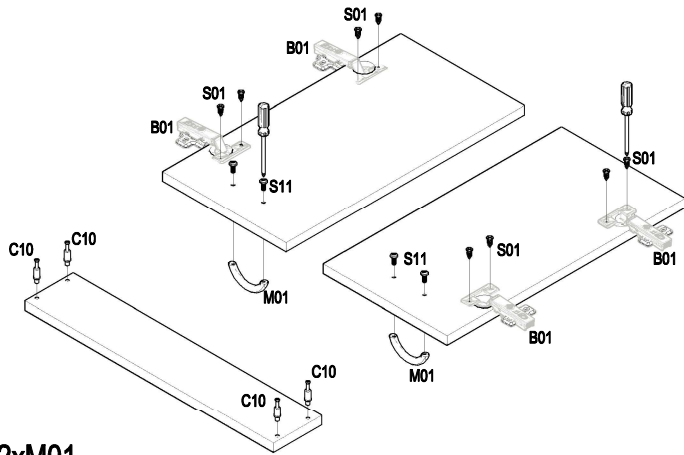


NR.22

 S01 3.5x16 x32	 S11 M4x22 x4	 C01 x6	 C10 x10	 C11 x10	 P01 x4
 B01 x4	 M01 x2	 S21 x4			

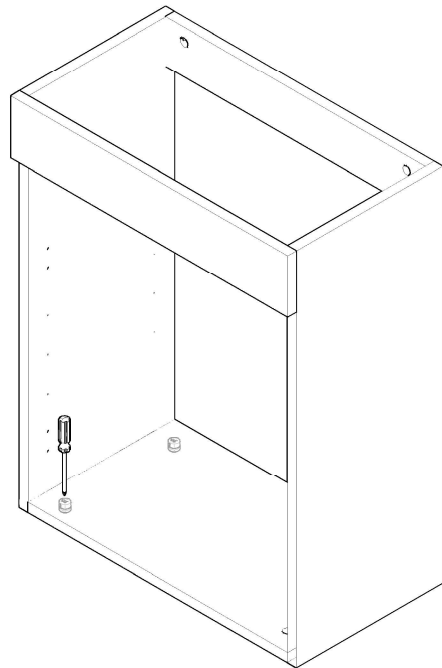


3.

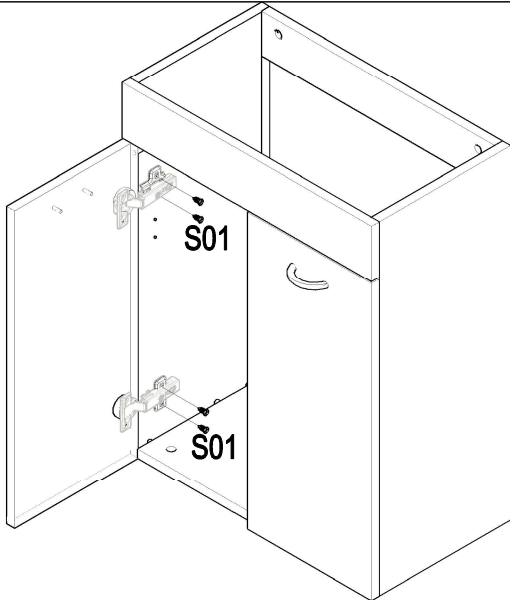


2xM01
 4xS11
 8xS01
 4xC10
 4xB01

4.

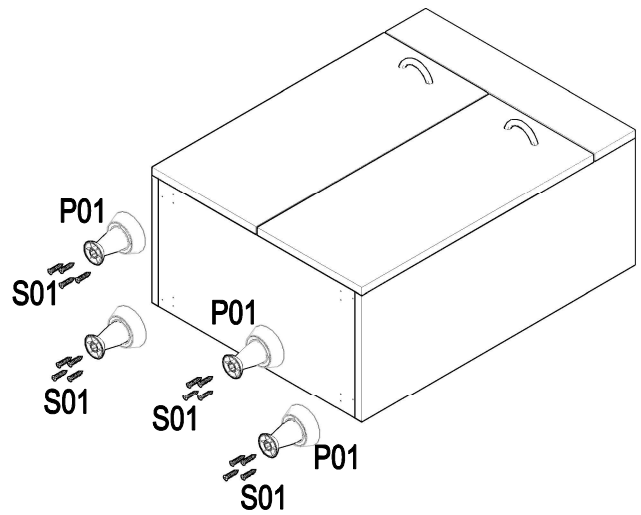


5.



8xS01

6.



4xP01
 16xS01