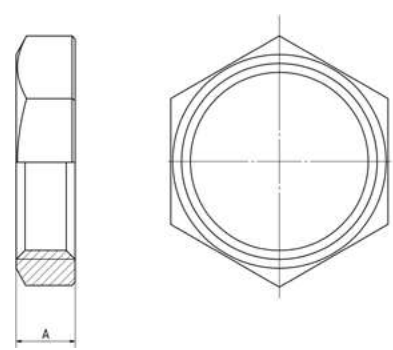


SVIS: 310 EN 10242:P4

Matice přítužná F | Backnut F | Nakrętka F | Matica F | Anya B | Piuliță FI | Matica Ž | Controdado F

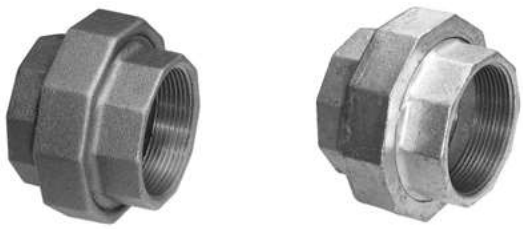


CODE BLACK	CODE GALV.	SIZE (inch)	A (mm)	Pack (pcs)
FC31012	FP31012	1/2	9	500
FC31034	FP31034	3/4	10	400
FC3101	FP3101	1	11	300
FC31054	FP31054	5/4	11	200
FC31064	FP31064	6/4	12	160
FC3102	FP3102	2	13	130



SVIS: 330 EN 10242:U1

Šroubení na ploché těsnění FF | Union with flat seat FF | Śrubunek uszcz.pł FF | Šróbenie ploché FF | Hollandi lapos BB | Olandez FI-FI | Holender ŽŽ | Bocchettone a sede piana FF



CODE BLACK	CODE GALV.	SIZE (inch)	A (mm)	Z1 (mm)	Pack (pcs)
FC33012	FP33012	1/2	41	19	120
FC33034	FP33034	3/4	46	21	80
FC3301	FP3301	1	51	22	60
FC33054	FP33054	5/4	56	24	36
FC33064	FP33064	6/4	60,6	26,6	28
FC3302	FP3302	2	67	29	18
FC33025	FP33025	2½	75	33	12
FC3303	FP3303	3	83,5	37,5	8
FC3304	FP3304	4	113,5	57,5	5

