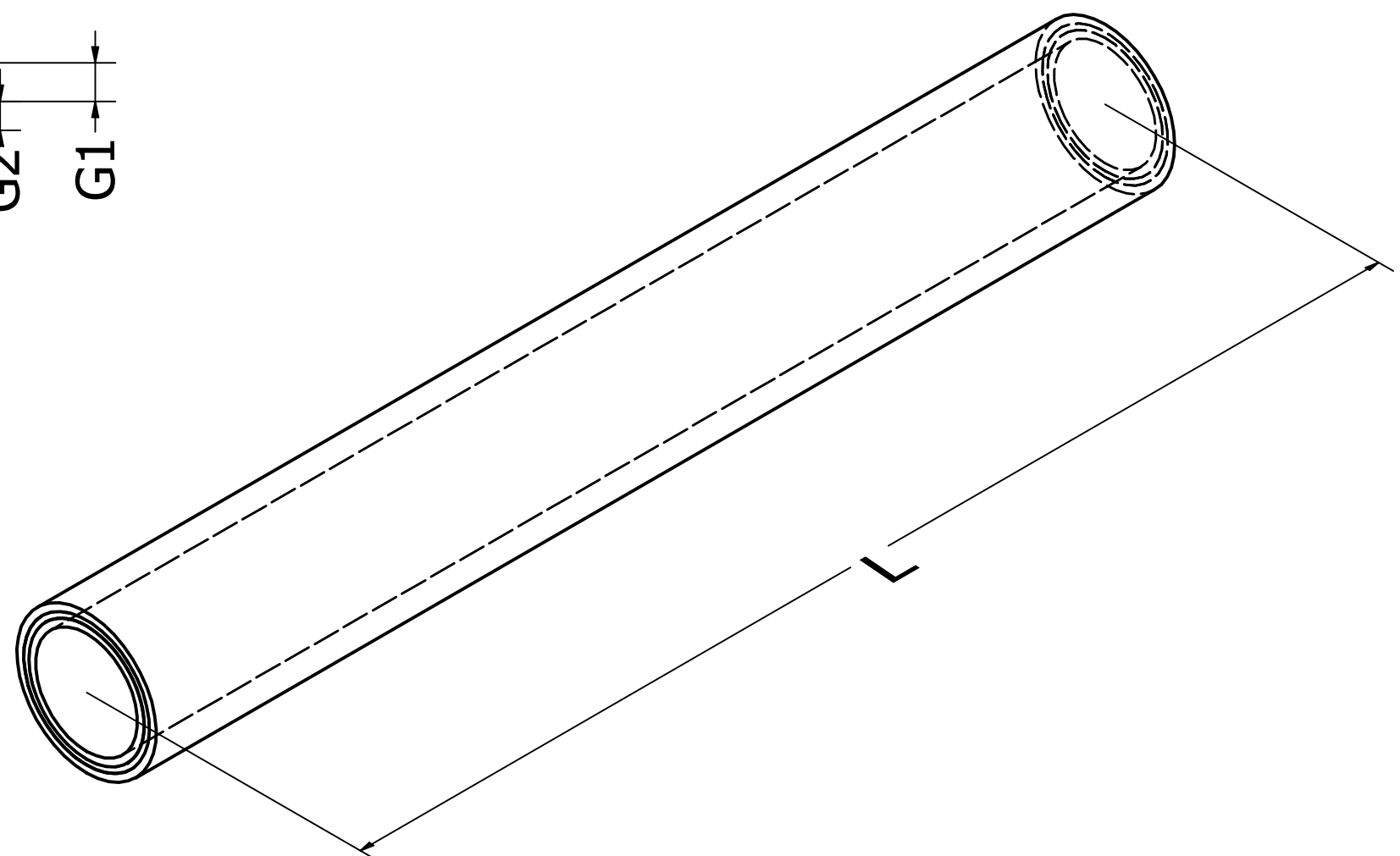
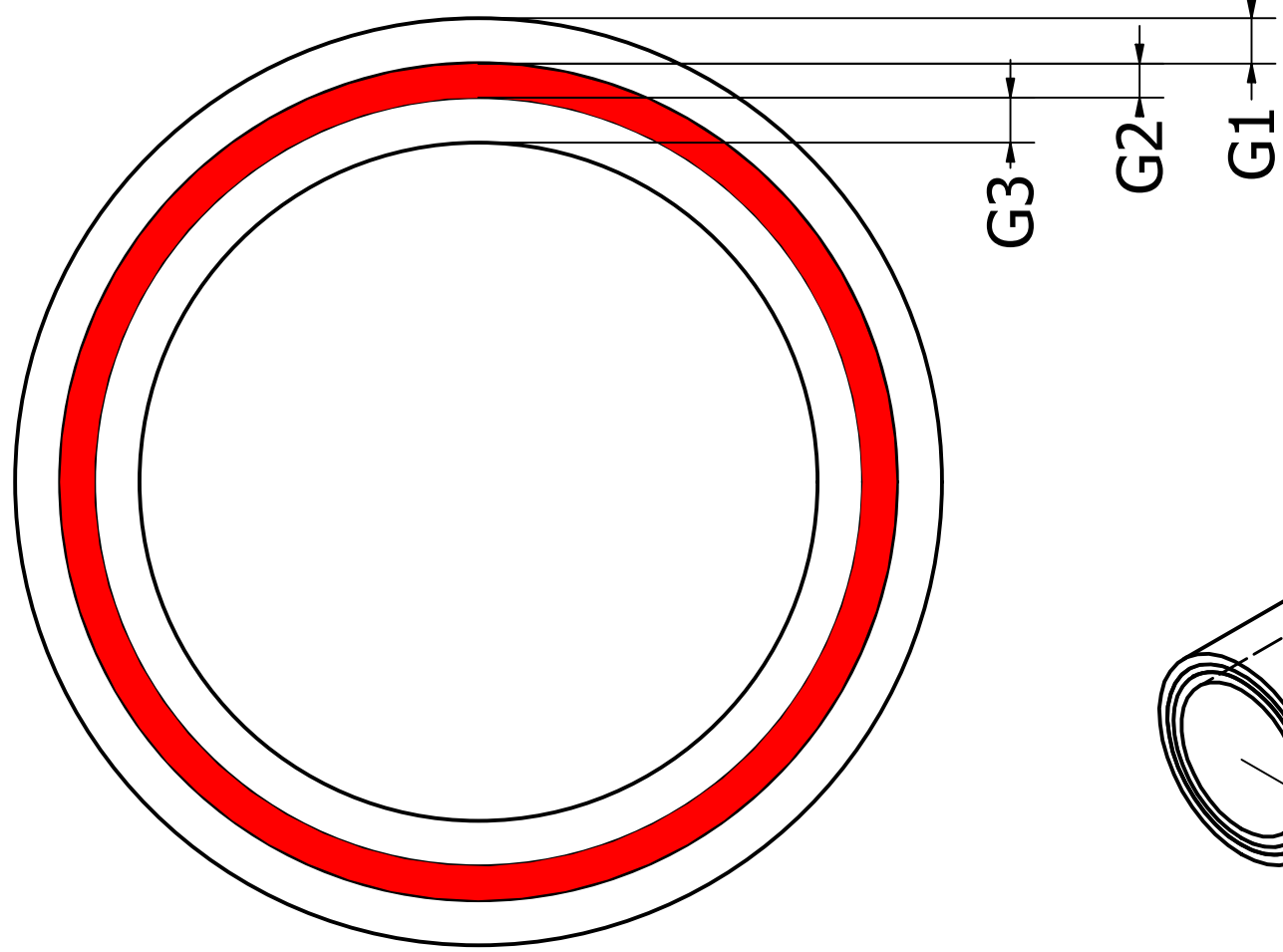


6 1 5 1 4 3 1 2 1 1

D

D



C

C

B

B

A

A

DN	Dimensiuni strat exterior PPR 20%				Dimensiuni strat intermediar PPR-GF 60%				Dimensiuni strat interior PPR 20%			
	G1 (min)	G1 (max)	Masa minima G1	Masa maxima G1	G2 (min)	G2 (max)	Masa minima G2	Masa maxima G2	G3 (min)	G3 (max)	Masa minima G3	Masa maxima G3
[mm]	[mm]	[mm]	[kg/m]	[kg/m]	[mm]	[mm]	[kg/m]	[kg/m]	[mm]	[mm]	[kg/m]	[kg/m]
20	0.55	0.65	0.031	0.036	1.70	1.90	0.094	0.104	0.55	0.65	0.024	0.027
25	0.70	0.80	0.049	0.056	2.10	2.40	0.146	0.163	0.70	0.80	0.038	0.041
32	0.90	1.05	0.08	0.093	2.60	2.90	0.231	0.253	0.90	1.05	0.062	0.07
40	1.10	1.30	0.122	0.145	3.30	3.60	0.366	0.393	1.10	1.30	0.095	0.108
50	1.40	1.60	0.195	0.222	4.10	4.50	0.568	0.615	1.40	1.60	0.151	0.167
63	1.70	1.95	0.298	0.342	5.20	5.70	0.908	0.983	1.70	1.95	0.231	0.257

Proiectat	Cosmin Cristea	Scara 6:1	Material Polypropylene
Desenat	Cosmin Cristea		
Verificat	Claudiu Dragomir		
Aprobat	Iulian Vasile	Masa[kg]:	<input checked="" type="checkbox"/> <input type="checkbox"/> <input type="checkbox"/> <input checked="" type="checkbox"/>
1 / 1	Companie SC TE-MA Romania SRL	Denumire piesa Teava PPR	

mm

6 1 5 1 4 3 1 2 1 1