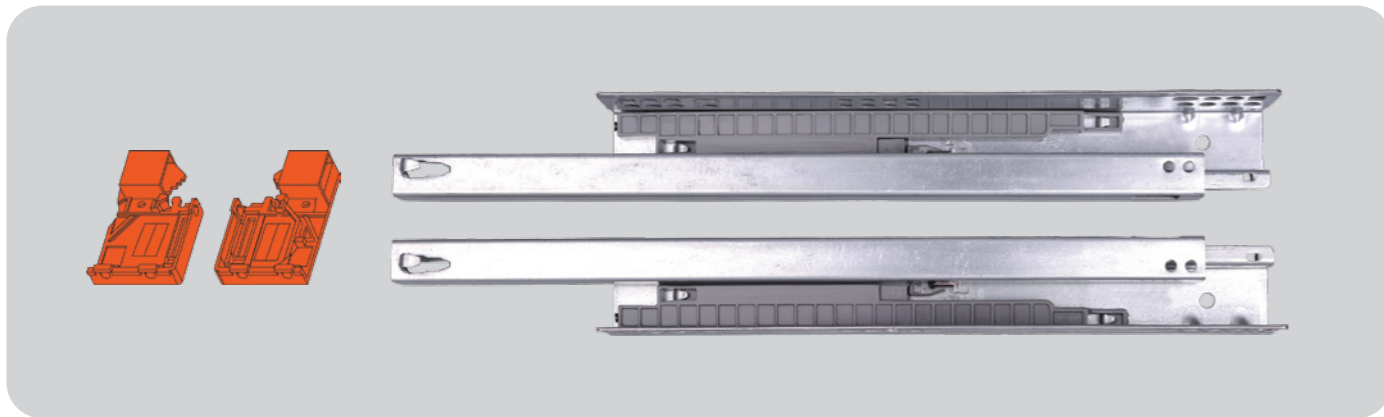
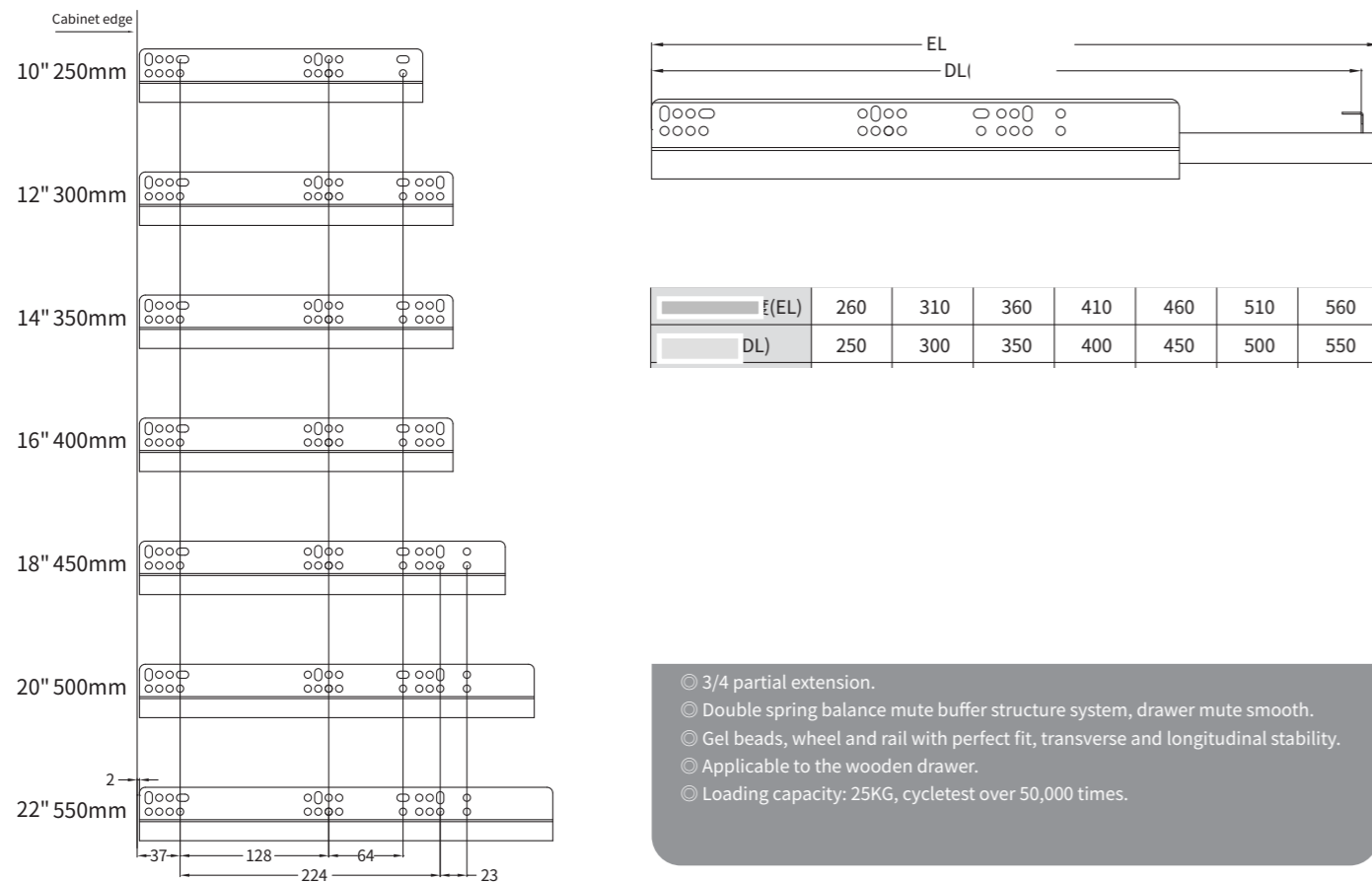


Single Extension Undermount Drawer Slide (Soft-closing)
 (with plastic clips for slide)
 (Max drawer panel thickness: 19mm)

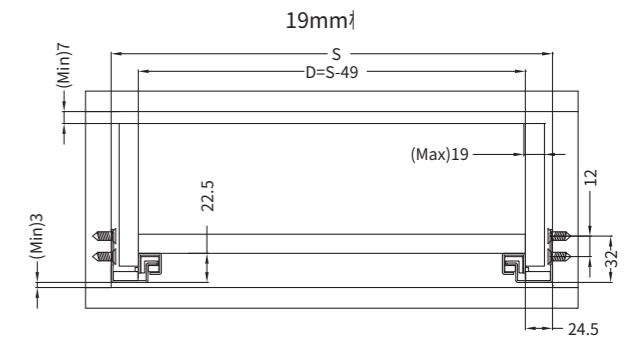


HOLE PATTERN FOR INSTALLATION



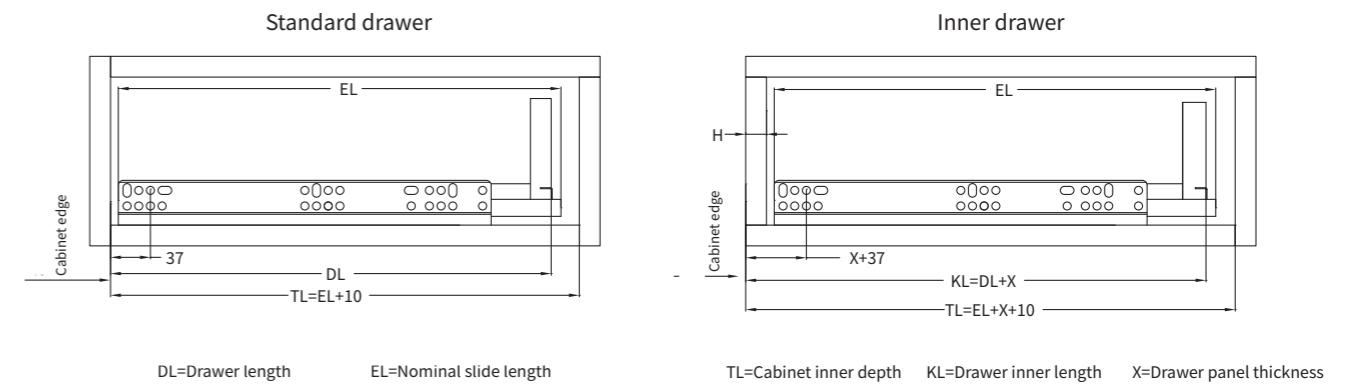
INSTALLING DEMONSTRATION SIZE

WIDTH SIZE:



S=Cabinet inner width D=drawer width Max Min

DEPTH SIZE:



BOTTOM SIZE:

