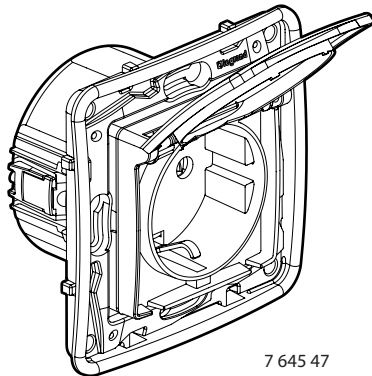
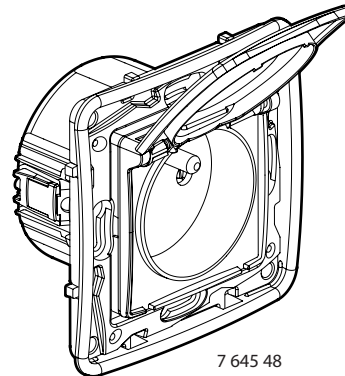


Niloé™
IP 44 Socket outlets

Cat. Nos: 7 645 47 - 7 646 47 - 7 645 48 - 7 646 48



7 645 47



7 645 48

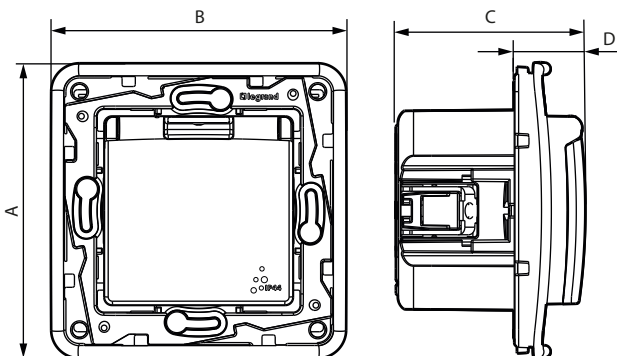
1. USE

2 P+E sealed socket outlets with shutters.
 Supplied with cover plates and support frames.
 To be fitted with single module or multi-module plates.
 Screws or claws fixing.

2. RANGE

Designation	White	Ivory
2 P+E socket outlet - German standard To be equipped with plate	7 645 47	7 646 47
2 P+E socket outlet - Franco-Belgian standard To be equipped with plate	7 645 48	7 646 48

3. DIMENSIONS (mm)



References	A	B	C	D
7 645 47 - 7 646 47	78	78	50	18
7 645 48 - 7 646 48	78	78	47	15

4. CONNEXION

Type of terminals: automatics
 Terminals capacity: 2 x 2.5 mm²
 Compatible flexible or rigid cables.
 Stripping length: 13 mm

5. TECHNICAL CHARACTERISTICS

■ **5.1 Mechanical characteristics**

Protection against solid bodies and liquids: IP 44
 Protection against impacts: IK 04

■ **5.2 Material characteristics**

Polyglass appearance

Colour: - White RAL 9003
 - Ivory RAL 1013

Material: - Cover plates: PC
 - Halogen free
 - UV resistant

Material of the support: - PC grey RAL 7037 + 10 % glass fiber
 - Halogen free

Self-extinguishing:
 + 850° C / 30 s for insulating parts holding live parts in place
 + 650° C / 30 s for other parts made of insulating materials

■ **5.3 Electrical characteristics**

Voltage: 250 V~
 Current: 16 A
 Frequency: 50/60 Hz

■ **5.4 Climatic characteristics**

Storage temperature: - 10° C to + 70° C
 Use temperature: - 5° C to + 35° C

6. CLEANING

Surface cleaning with a cloth.
 Do not use: acetone, tar remover, trichloroethylene.

Resistance to the cleaning agents: Hexane (NF C 61-314), Methylated spirit, Soapy water, Diluted ammonia, Diluted pure bleach 10%, Glass cleaning substances, Pre-impregnated wipes.

Caution: A preliminary test should be carried out if other specific cleaning products are to be used.

7. STANDARDS AND APPROVALS

Compliance with standards of installation and manufacturing.
 See e.catalogue