

NOME N

Linear LED luminaire



65 IP

[V] 220-240 AC	[Hz] 50/60	≥ 20000	25000	ellipse $\leq 60^\circ$ MacAdam	Ra ≥ 80	SMD
		IP 65		°C -20 ÷ 40		
[mm] 1 ÷ 2,5	m 0,5m					



NOME N LED SMD 18W-NW

	[W]	[lm]	Tc [K]	[°]		
NOME N LED SMD 18W-NW	25493	18	1800	4000	120	white
NOME N LED SMD 36W-NW	25494	36	3600	4000	120	white
NOME N LED SMD 48W-NW	25495	48	4800	4000	120	white



Kanlux NOME N linear luminaires can be easily connected to create light segments. The luminaires are designed for lighting rooms of high humidity and dustiness (IP65), e.g.: production halls, storehouses, workshops, etc.

- Fitting with pass-through installation, 2 chokes PG11 in the fitting, possibility of connecting the fittings in-line
- Enclosure material: PC
- Lampshade material: PC

NOME N

Linear LED luminaire



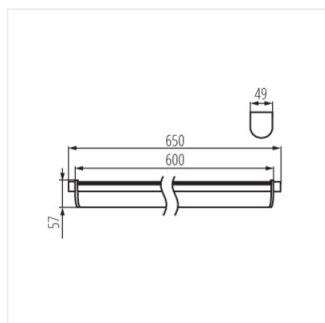
NOME N LED SMD 18W-NW



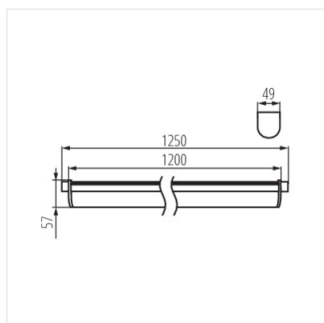
NOME N LED SMD 36W-NW



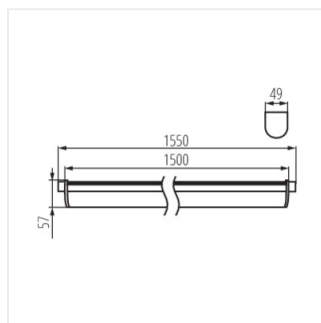
NOME N LED SMD 48W-NW



NOME N LED SMD 18W



NOME N LED SMD 36W



NOME N LED SMD 48W