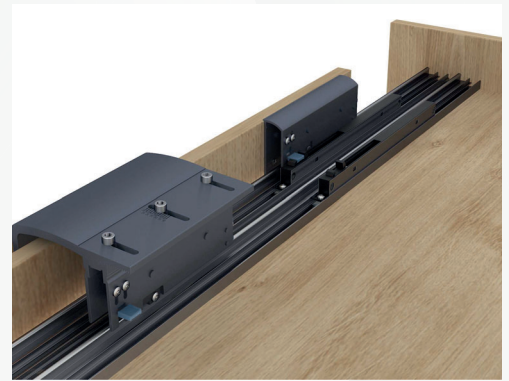


SDS 9500

Sürgü Kapak Sistemleri
Sliding Door Systems

SDS 9500
Sistem de glisare



Informatii:

- Compatibil cu usi de grosime 18 - 40 mm
- Posibilitate de ajustare sus-jos de maxim 8 mm
- Greutatea maxima a usilor 100 Kg
- Mecanismul superior de rulare ajustabil asigura un spatiu minim intre usi si ofera o folosire eficienta a spatiului cabinetului pentru orice grosimi de usi compatibile cu sistemul
- Asigura un volum mare al cabinetului datorita sistemului de rulare pozitionat la partea superioara
- Este echipat cu mecanisme de inchidere cu amortizare la partea superioara si cu amortizoare la partea inferioara pentru a asigura o inchidere silentioasa a usilor
- Asigura miscarea si inchiderea cu amortizare a usilor in ambele directii
- Sistemul anti-jumping ofera stabilitate usilor la rulare
- Durabil si cu o miscare fluenta datorita rulmentilor de calitate superioara
- Instalare usoara datorita designului special al mecanismelor de ghidare inferioare
- Fabricat di aluminiu

i Information

- Compatible with 18-40 mm chipboard thickness.
- Up and down adjustment option up to 8mm.
- 100kg carrying capacity.
- Adjustable upper mechanism ensures minimum space between two doors and provides more efficient use of space for all chipboard thicknesses compatible
- Higher cabinet volume thanks to the top-running design.
- Equipped with soft closers on the upper mechanisms and dampers for bottom mechanisms to ensure the best soft-close function
- Providing double-direction movement and soft close function for both doors
- Anti-jumping function providing extra stability during the movement
- Durable and fluent movement with high quality bearing
- Ease of installation thanks to the special bottom mechanism design
- Made of aluminium material
- Dust prevention with brush system

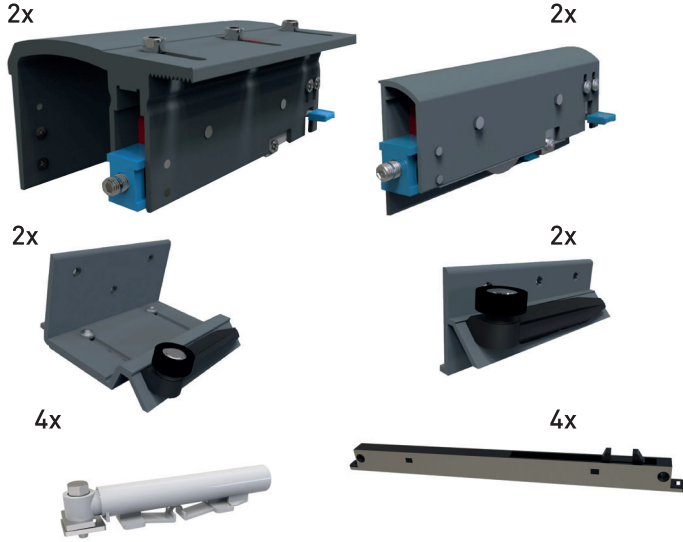
SDS 9500 100 Kg Ağır Kapak Ayarlanabilir Sürgü Kapak Mekanizması
SDS 9500 100 Kg Heavy Door Adjustable Sliding Door System



SDS 9500 Sistem de glisare ajustabil pentru usi de 100 Kg

1 Set İçeriği

1 Set Includes

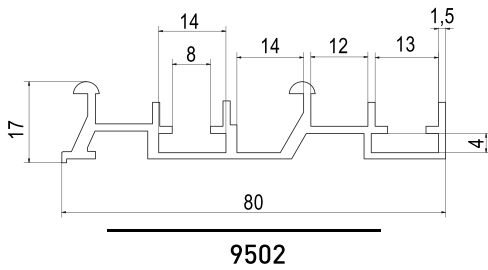


	1A9500Y	00 C	4 TK
Paket Detay	Package Detail		
• 15 Kg Ağırlık	• 15 Kg Weight		
• 2 Kapaklık Set	• 2 Door Set		

Üst Hareket Profil Ray

Top Running Rail Profile

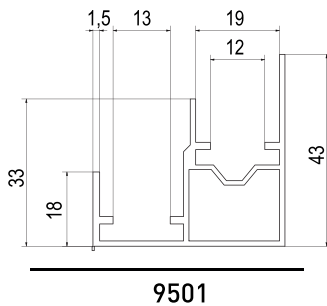
Profil de rulare superior



Alt Hareket Profil Ray

Bottom Running Rail Profile

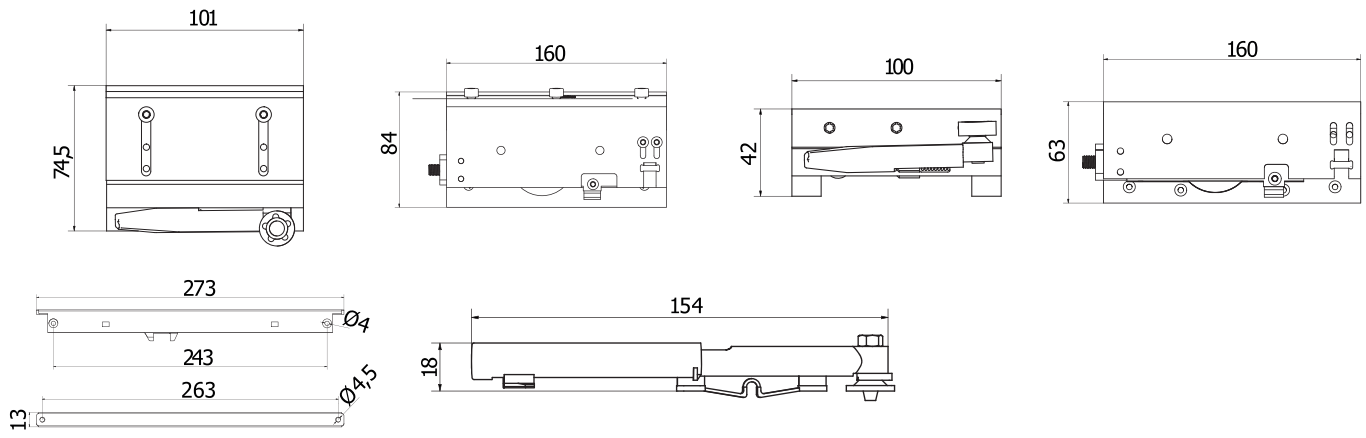
Profil de ghidare inferior



i Teknik Detay

Technical Detail

Detalii tehnice



Detalii tehnice

