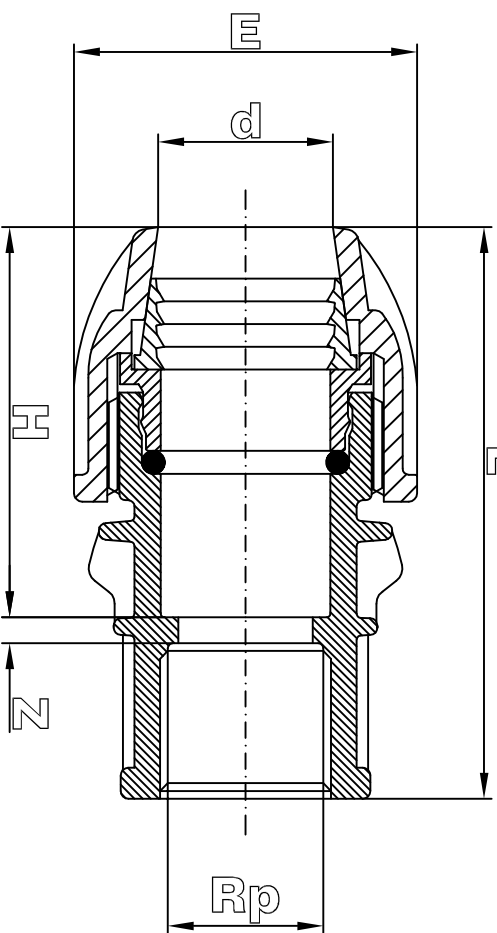


MUFA RAPIDA PE FILET INTERIOR



The FILBO connecting joint is designed and manufactured in according to the international standard norms:

- ISO 3458
- ISO 3459
- ISO 3501
- ISO 3503
- ISO 14236
- DIN 8076-3
- KIWA BRLK 534-01
- UNI 9561
- UNI 9562

The connecting parts of the body with the PE pipes are designed in according to the international standard norms:


- ISO DIS 3607
- DIN 8072
- DIN 8074
- UNI 7611
- UNI 7990

Male and female threaded adaptors are designed in according to the international standard norms:

- ISO 7
- UNI ISO 7-1
- BS 21

dxRp	Z_{min.}	H	L	E	g
		Tolerance	Tolerance	Tolerance	
20x1/2"	3	58 +3 mm	84 +3 mm	47 +0.3 mm	40
20x3/4"	3	58 +3 mm	84 +3 mm	47 +0.3 mm	45
25x1/2"	3	67 +3 mm	93 +3 mm	54 +0.3 mm	55
25x3/4"	3	67 +3 mm	93 +3 mm	54 +0.3 mm	60
25x1"	3	67 +3 mm	93 +3 mm	54 +0.3 mm	70
32x1/2"	3	77 +3 mm	103 +3 mm	66 +0.3 mm	85
32x3/4"	3	77 +3 mm	103 +3 mm	66 +0.3 mm	90
32x1"	3	77 +3 mm	103 +3 mm	66 +0.3 mm	100
40x1"	4	96 +5 mm	124 +5 mm	83 +0.5 mm	170
* 40x1"1/4	4	96 +5 mm	124 +5 mm	83 +0.5 mm	190
* 40x1"1/2	4	96 +5 mm	124 +5 mm	83 +0.5 mm	200
* 50x1"1/4	5	110 +5 mm	140 +5 mm	98 +0.5 mm	280
* 50x1"1/2	5	110 +5 mm	140 +5 mm	98 +0.5 mm	290
* 50x2"	5	110 +5 mm	144 +5 mm	98 +0.5 mm	320
* 63x1"1/2	6	124 +5 mm	155 +5 mm	116 +0.5 mm	440
* 63x2"	6	124 +5 mm	160 +5 mm	116 +0.5 mm	470

* With AISI 430 Stainless Steel reinforcing ring.

		DENOMINAZIONE	
		Female Adaptor Data Sheet: FISA MUFA RAPIDA PE FI	
Designer	6, Tsar Ivan Shishman Str. Varna – Bulgaria		Raw Material
SCALA	Date	Injection Machine	Drawing N°
//	05.06.2007		DSH 0005