

## PRODUCT DATASHEET

### LED BULB FA-5W/GU5.3/840L

Consumer Products LED Bulb GU10 | LED lamps, classic bulb shape

#### AREAS OF APPLICATION

- Domestic applications
- General illumination
- Outdoor applications only in suitable luminaires



---

#### PRODUCT BENEFITS

- Low energy consumption
- Easy replacement of classic lamps thanks to compact design
- Instant 100 % light, no warm-up time
- Poly covered aluminium housing with better heating diffusion
- Built-in constant current driver better stability of usage

---

#### PRODUCT FEATURES

- LED alternative to conventional lamps
- Mercury-free lamps



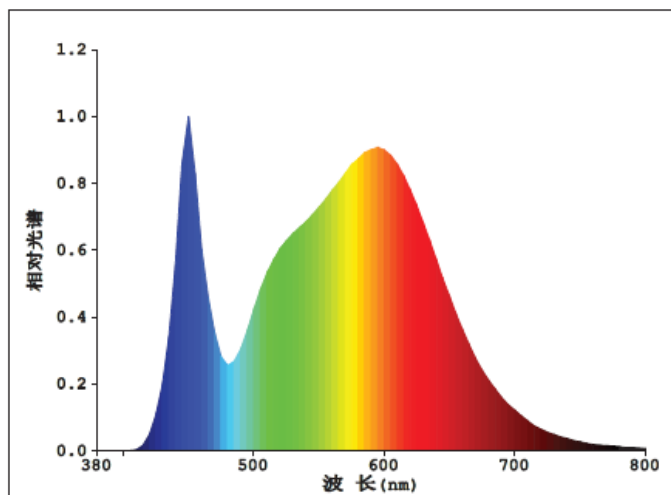
## TECHNICAL DATA

### Electrical data

Rated wattage	5.00 W
Nominal wattage	5.00 W
Nominal voltage	185-240VAC
Operating frequency	50...60 Hz
Power factor $\lambda$	> 0.50
Claimed equiv. conventional lamp power	40 W

### Photometrical data

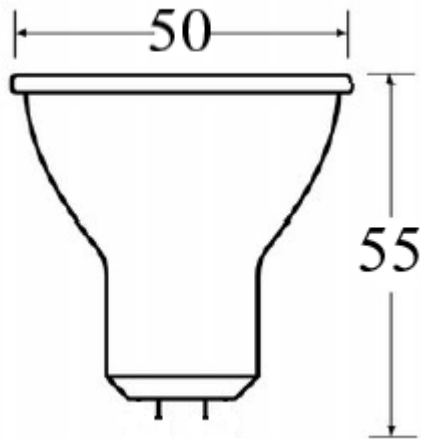
Rated luminous flux	450 lm
Light color (designation)	Natural White
Color temperature	4000 K
Luminous flux	450 lm
Color rendering index Ra	$\geq 80$
Standard deviation of color matching	$\leq 6$ sdc
Nominal luminous flux	450 lm
Rated color temperature	4000 K
Color rendering index Ra	$\geq 80$



### Light technical data

Starting time	< 0.5 s
Beam angle	36°

## Dimensions &amp; weight



<b>Overall length</b>	55.0 mm
<b>Diameter</b>	50.0 mm
<b>Length</b>	55.0 mm

## Lifespan

<b>Nominal lamp life time</b>	25000 h
<b>Rated lamp life time</b>	25000 h
<b>Number of switching cycles</b>	15000
<b>Warranty</b>	2 years

## Capabilities

<b>Dimmable</b>	No
-----------------	----

## Temperatures &amp; operating conditions

<b>Ambient temperature range</b>	-20...+40 °C
<b>Maximum temperature at tc test point</b>	98 °C

**Additional product data**

<b>Base (standard designation)</b>	GU5.3
<b>Mercury-free</b>	Yes
<b>Design / version</b>	frosted
<b>Driver type</b>	IC
<b>Product remark</b>	All technical parameters apply to the entire lamp/Due to the complex production process for light-emitting diodes, the typical values shown for the technical LED parameters are purely statistical values that do not necessarily match the actual technical parameters of each individual product, which can vary from the typical value
<b>Mercury content</b>	0.0 mg
<b>Standards</b>	CE/CCC

**Order code/Name**

<b>Order code/Name</b>	FA2695 LED BULB FA-5W/GU5.3/840L
------------------------	----------------------------------

**LOGISTICAL DATA**

<b>Product code</b>	<b>Packaging unit (Pieces/Unit)</b>	<b>Dimensions (length x width x height)</b>	<b>Gross weight</b>	<b>Volume</b>
FA2695	Folding carton box 1	50 mm x 50 mm x 56 mm	27.00 g	0.14 dm <sup>3</sup>
FA2695	Shipping carton box 100	570 mm x 290 mm x 175 mm	2700.00 g	0.029 m <sup>3</sup>

The mentioned product code describes the smallest quantity unit which can be ordered. One shipping unit can contain one or more single products. When placing an order, for the quantity please enter single or multiples of a shipping

**REFERENCES / LINKS**

For further products and actual information concerning LED lamps see [www.fucida.eu](http://www.fucida.eu)

For Guarantee see [www.fucida.eu](http://www.fucida.eu)

**DISCLAIMER**

Subject to change without notice. Errors and omission excepted.

