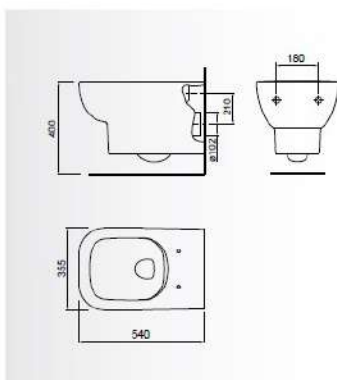


## EMILIA WALL-HUNG WC PAN, RIMLESS



### Packaging: in box

Weight	Pcs/pallet
20,30 kg	12

Item Number	Colour
WQ8G1560000003	white

### Compatibility:

Seat and cover, Duroplast  
WQ8S05600000242

### You can combine with:

Concealed cistern Eco Solution  
WQ8Q23700000004

Double push-button  
- white, WQ3U86210000003

