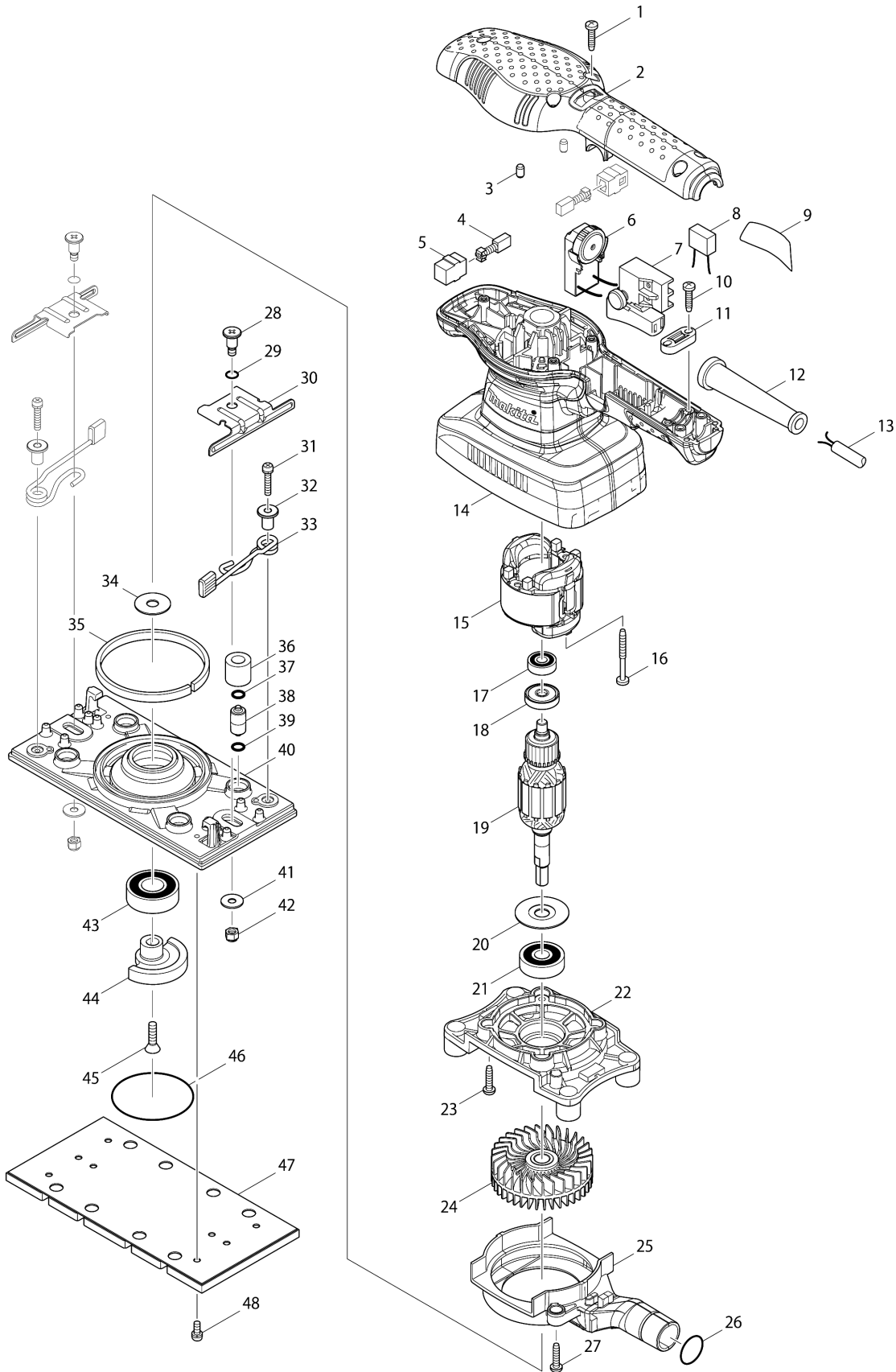


Model No. BO3711 FINISHING SANDER



Model No.BO3711 FINISHING SANDER

cod	cod piesa	descriere	interschimbare	cantitate	New/Old	optiunea 1	optiunea 2	nota
001	265995-6	SURUB 4X18		5				
002	451269-3	TOP COVER BO3711		1				
003	263002-9	STIFT CAUCIUC 4		2				
004	191627-8	PERII CARBON CB-64		1				
005	643552-4	SUPORT PERII CB64		2				
006	631906-7	REGULATOR TURATIE BO3711		1				
007	651286-5	INTRERUPATOR SGEL206C-5		1				
008	645239-4	CAPACITOR UC*30A		1				
009	867006-9	BO3711 NAME PLATE BO3711		1				
010	265995-6	SURUB 4X18		2				
011	687124-5	FIXATOR DE CABLU MT240		1				
012	682569-2	PROTECTIE CABLU MT601-953		1				
013	665383-1	CABLU ALIMENTARE 1.0- 2-2.0 MT963		1				
014	451270-8	CARCASA		1				
015	593708-8	STATOR BO3711		1	*			
C11	654037-5	INSULATED TERM. FK1.25-M3 MT361		2	*			
015-1	593708-8	STATOR BO3711	O	1				
C11	654037-5	INSULATED TERM. FK1.25-M3 MT361		2				
016	266048-4	SURUB AUTOFILETANT 4X40 DA3011F,BO4565		2				
017	210062-2	RULMENT 607ZZ MT601/952/953		1				
018	681652-2	SAIBA IZOLATIE SERIA HR2300-2611		1				
019	515784-2	ROTOR BO3710/3711		1				
D10		INC. 17,18,20,21						
020	253180-3	SAIBA PLATA 10		1				
021	211087-9	RULMENT 6200DDW		1				
022	451266-9	CARCASA RULMENT BO3710/11		1				
023	265995-6	SURUB 4X18		4				
024	240117-9	VENTILATOR		1				
025	451267-7	GHIDAJ VENTILATIE		1				
026	213315-8	O RING 19 BO3700		1				
027	265995-6	SURUB 4X18		2				
028	266511-7	SURUB M BO3710		2				
029	213045-1	O RING 6 AN711/911H		2				
030	346102-1	CLEMA PRINDERE		2				
031	911136-9	SURUB M4X20		2				
032	310300-3	SPRING GUIDE BO3710		2				
033	162279-2	LEVIER FIXARE		2				