

## PRODUCT DATASHEET

### LED TUBE FB-9W/T8G/840L

Professional Products LED Tube | Two-side power input



#### AREAS OF APPLICATION

- Industry
- Warehouses
- Supermarkets and department stores
- Corridors, stairways, parking garages
- General illumination
- Domestic applications

---

#### PRODUCT BENEFITS

- Low energy consumption
- Easy replacement
- Instant 100 % light, no warm-up time
- No bending thanks to glass technology
- Built-in constant current driver better stability of usage

---

#### PRODUCT FEATURES

- LED alternative to conventional lamps
- Mercury-free lamps
- Tube made of glass
- Uniform illumination



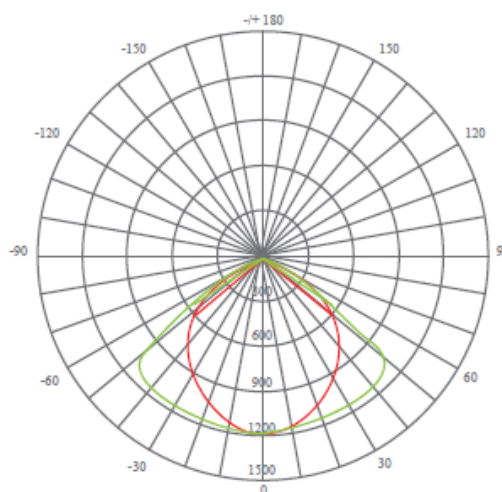
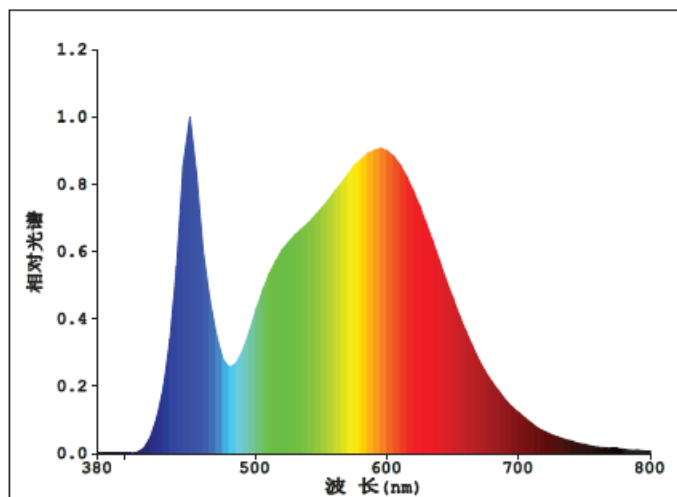
**TECHNICAL DATA**

**Electrical data**

Rated wattage	9.00 W
Nominal wattage	9.00 W
Nominal voltage	185-240VAC
Operating frequency	50...60 Hz
Power factor $\lambda$	> 0.50
Claimed equiv. conventional lamp power	18 W

**Photometrical data**

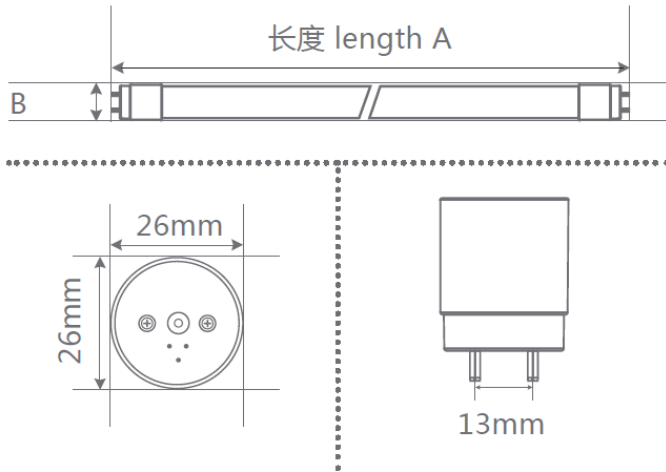
Rated luminous flux	900 lm
Light color (designation)	Natural White
Color temperature	4000 K
Luminous flux	900 lm
Lumen main.fact.at end of nom. life time	0.70
Color rendering index Ra	$\geq 80$
Standard deviation of color matching	$\leq 6$ sdc <sub>m</sub>
Nominal luminous flux	900 lm
Luminous efficacy	100 lm/W
Rated color temperature	4000 K
Color rendering index Ra	$\geq 80$



**Light technical data**

Starting time	< 0.5 s
Warm-up time (60 %)	< 0.50 s
Rated beam angle (half peak value)	310,00 °

Dimensions & weight



<b>Overall length</b>	603.0 mm
<b>Diameter</b>	26.0 mm
<b>Product weight</b>	101.00 g

Lifespan

<b>Nominal lamp life time</b>	25000 h
<b>Rated lamp life time</b>	25000 h
<b>Number of switching cycles</b>	15000

Capabilities

<b>Dimmable</b>	No
-----------------	----

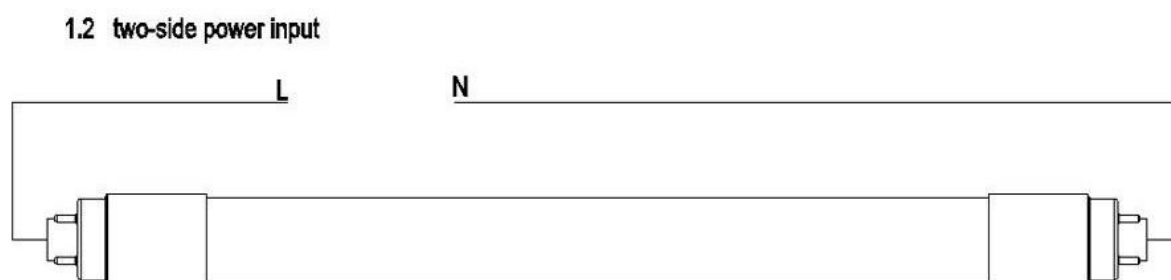
Temperatures & operating conditions

<b>Ambient temperature range</b>	-20...+40 °C
<b>Maximum temperature at tc test point</b>	75 °C

**Additional product data**

<b>Base (standard designation)</b>	G13
<b>Mercury-free</b>	Yes
<b>Design / version</b>	frosted
<b>Product remark</b>	All technical parameters apply to the entire lamp/Due to the complex production process for light-emitting diodes, the typical values shown for the technical LED parameters are purely statistical values that do not necessarily match the actual technical parameters of each individual product, which can vary from the typical value
<b>Mercury content</b>	0.0 mg

**Connection scheme**



**Order code/Name**

<b>Order code/Name</b>	FB2947 LED TUBE FB-9W/T8G/840L
------------------------	--------------------------------

**LOGISTICAL DATA**

Product code	Packaging unit (Pieces/Unit)	Dimensions (length x width x height)	Gross weight	Volume
FB2947	Foam package 1	28 mm x 603 mm	101.00 g	0.47 dm <sup>3</sup>
FB2947	Shipping carton box 30	645 mm x 205 mm x 175 mm	3500.00 g	0.020 m <sup>3</sup>

The mentioned product code describes the smallest quantity unit which can be ordered. One shipping unit can contain one or more single products. When placing an order, for the quantity please enter single or multiples of a shipping

**REFERENCES / LINKS**

For further products and actual information concerning LED lamps see [www.fucida.eu](http://www.fucida.eu)

For Guarantee see [www.fucida.eu](http://www.fucida.eu)

**DISCLAIMER**

Subject to change without notice. Errors and omission excepted.

