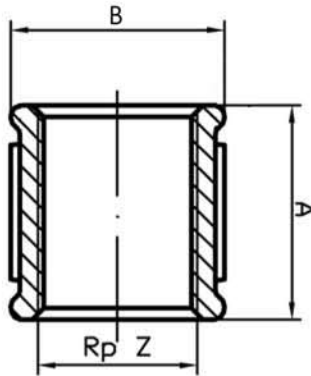


TECHNICAL DRAWING

270
Socket, equal F/F
ISO M2

gebo[®]
fittings



SIZE	A	B	Rp z
1/4"	27	20	1/4"
3/8"	30	25	3/8"
1/2"	36	29	1/2"
3/4"	39	35.8	3/4"
1"	45	43	1"
1 1/4"	50	52.5	1 1/4"
1 1/2"	55	59	1 1/2"
2"	65	72.5	2"
2 1/2"	74	89	2 1/2"
3"	80	103.5	3"
4"	94	130.5	4"
5"	109	158	5"
6"	120	184	6"

TECHNICAL REQUIREMENT:

- 1.A DIMENSION TOLERANCE ACCORDING TO EN10242
- 2.THREADS ACCORDING TO ISO7/1
- 3.MATERIAL ACCORDING TO EN 1562
- 4.HOT DIPPED GALVANIZED SHALL BE IN ACCORDANCE WITH EN ISO 1460