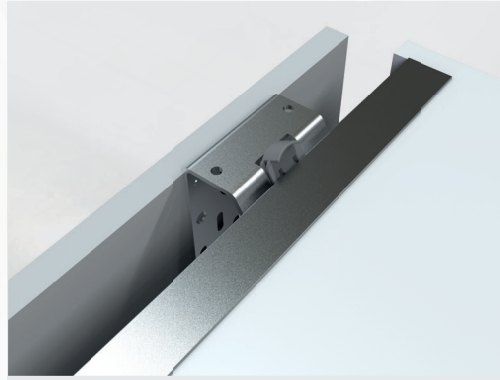


# SDS 9300

Sürgü Kapak Sistemleri  
Sliding Door Systems

SDS 9300  
Sistem de glisare



## Informatii:

- Compatibil cu usi cu grosimi de 16 - 22 mm
- Greutatea maxima a usilor: 60 Kg
- Se obtin cabinete cu volume mari datorita designului cu mecanisme de rulare la partea superioara
- Posibilitate de a se folosi cu sau fara amortizor
- Sistemul anti-jumping ofera stabilitate superioara la rulare
- Sistem durabil cu miscare fluenta a usilor datorita rulmentilor de calitate superioara
- Instalarea usoara datorata designului special al mecanismelor inferioare de ghidare

## **i** Information

- Compatible with 16-22 mm chipboard thickness.
- 60 kg carrying capacity.
- Higher cabinet volume thanks to the top-running design
- Option to use with or without soft closer
- Black color edition with electrostatic paint is available
- Anti-jumping function providing extra stability during the movement
- Durable and fluent movement with high quality bearing
- Ease of installation thanks to the special bottom mechanism design

SDS 9300 60 Kg Üstte Çalışan Ayarlanabilir Sürgü Kapak Mekanizması  
SDS 9300 60 Kg Top Running Adjustable Sliding Door System

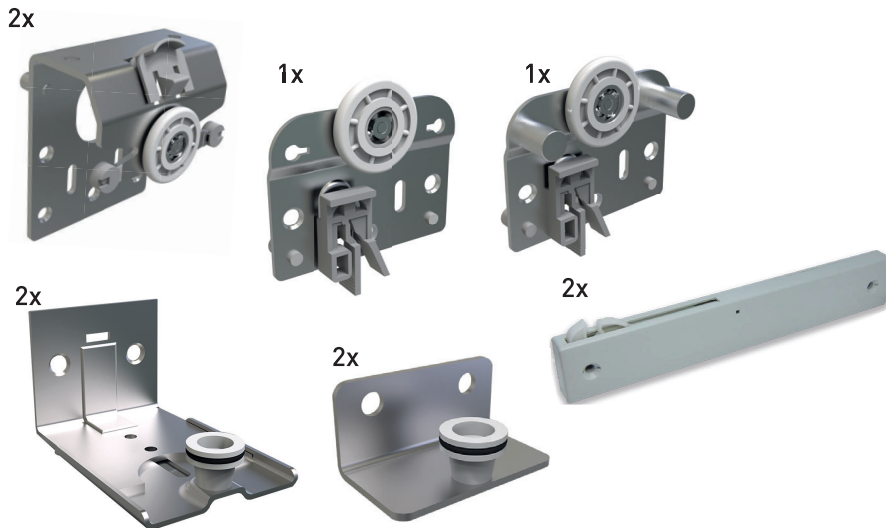


SDS 9300 Sistem de glisare cu rulare la partea superioara pentru usi cu greutate maxima de 60 Kg

Un set pentru doua usi include:

1 Set İçeriği

1 Set Includes

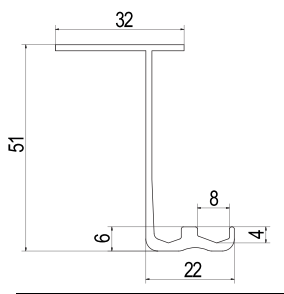


	1A9300Y 00 C	20 Tk	
	1A9300Y 00 Y	9 Tk	
Paket Detay		Package Detail	
• 26 Kg Ağırlık		• 26 Kg Weight	
• 14 Kg Ağırlık		• 14 Kg Weight	
• 2 Kapaklık Set		• 2 Door Set	

Detalii impachetare

Üst Hareket Profil Ray

Top Running Rail Profile

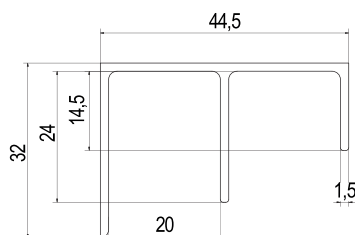


9055

Profil de rulare superior

Alt Hareket Profil Ray

Bottom Running Rail Profile



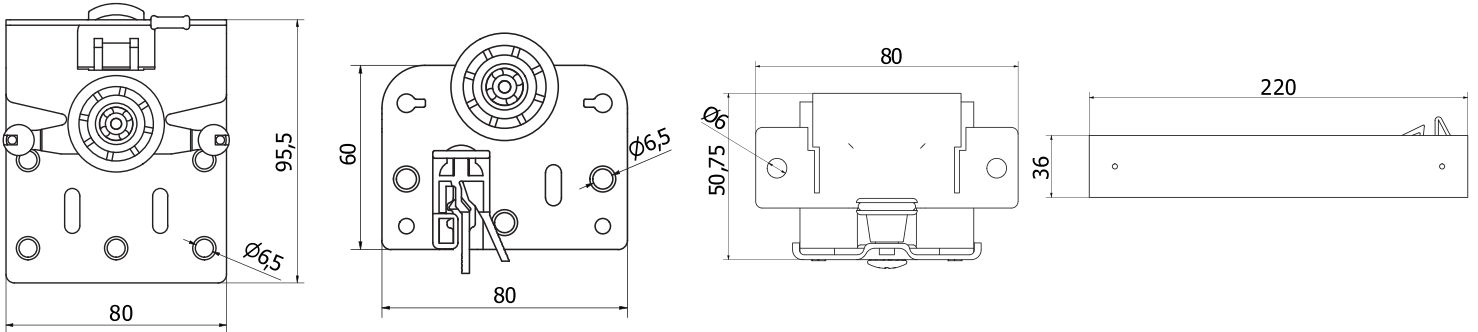
9056

Profil de ghidare inferior

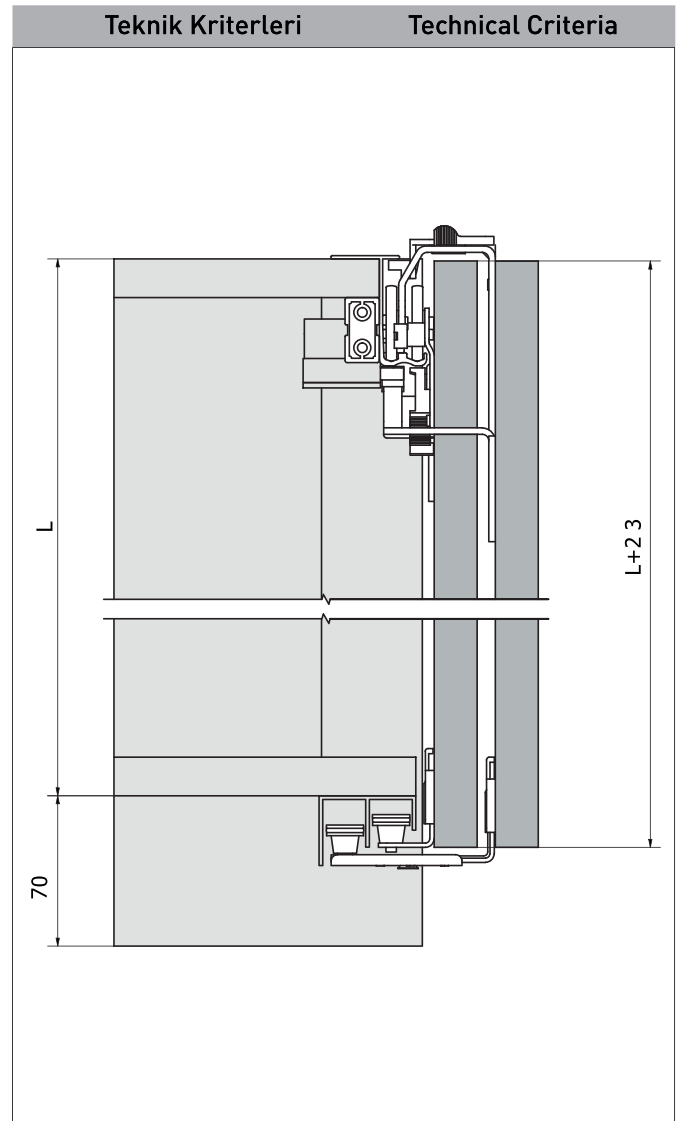
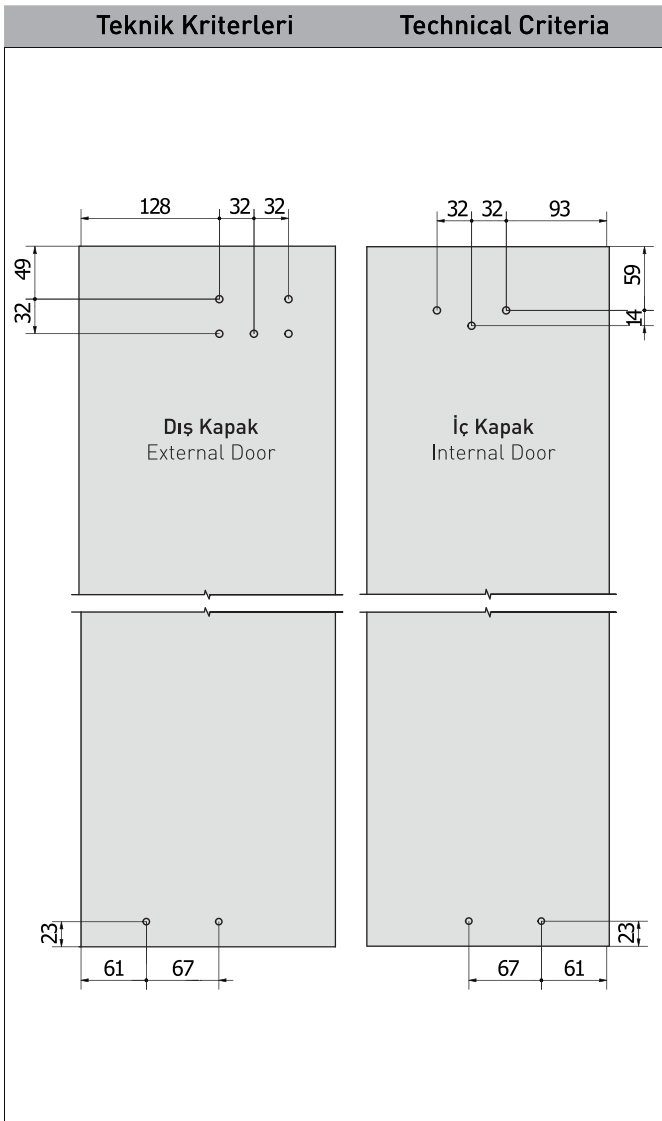
## i Teknik Detay

## Technical Detail

## Detalii tehnice



## Detalii tehnice



**i** Montaj Şeması

Assembly Chart

Detalii de asamblare

