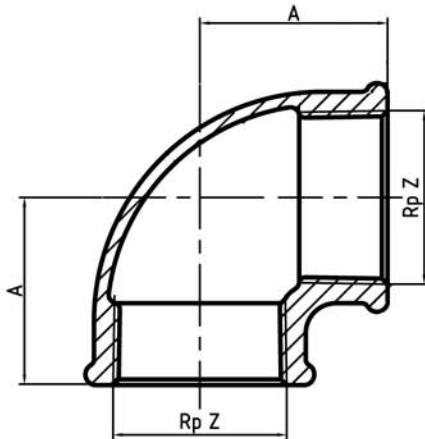


# TECHNICAL DRAWING

90  
Elbow 90°, equal  
ISO A1



SIZE	A [mm]	Rp Z
1/4"	21	1/4"
3/8"	25	3/8"
1/2"	28	1/2"
3/4"	33	3/4"
1"	38	1"
1 1/4"	45	1 1/4"
1 1/2"	50	1 1/2"
2"	58	2"
2 1/2"	69	2 1/2"
3"	78	3"
4"	96	4"
5"	115	5"
6"	131	6"

## TECHNICAL REQUIREMENT:

- 1.A DIMENSION TOLERANCE ACCORDING TO EN10242
- 2.THREADS ACCORDING TO ISO7/1
- 3.MATERIAL ACCORDING TO EN 1562
- 4.HOT DIPPED GALVANIZED SHALL BE IN ACCORDANCE WITH EN ISO 1460